

Type **TW800**

WEH[®] Connector for pressure and function testing

of components with bead, rim, collar, flange, stub or external thread



General

DESCRIPTION



Features

- Connection in seconds
- No hand tightening required
- WEH® Jaw locking mechanism
- High-grade materials
- Special versions possible

The WEH® TW800 Quick connector simplifies work procedures, shortens test times and improves productivity. Therefore the connector is ideal for pressure and function testing of components with a bead, rim, collar, flange, stub or external thread. In the automotive industry WEH® TW800 is also used for testing of fuel connections, connections for cold and hot water and other supply lines as well as air conditioning components.

By using high quality stainless steel the connectors meet the stringent requirements of industrial testing. The TW800 quick connector is designed for a pressure range up to max. 50 bar.

Application

Quick connector for pressure and function testing of components with bead, rim, collar, flange, stub or external thread, e.g. pressure vessels, compressors, heat exchangers, measuring devices, hoses, tubes, tanks, etc.

Note: For using the WEH® Connectors with pneumatic actuation and clamping jaws in an automated system please observe the technical note on page 69 in catalogue no. 35.

TECHNICAL DATA

Characteristics	Basic version
Max. allowable operating pressure PS*	Vacuum up to 50 bar
Temperature range	+5 °C up to +80 °C
Leak rate	1 x 10 ⁻³ mbar x l/s
Material	Corrosion resistant stainless steel
Sealing material	Front seal of NBR

* depending on application

Other designs on request

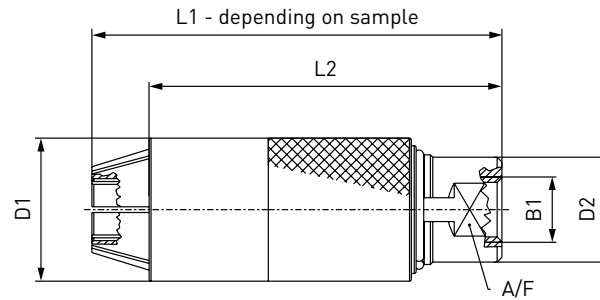
Example of use:



Ordering

ORDERING | WEH® TW800 Quick connector

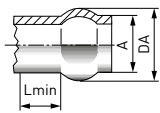
approx. dimensions (mm)



Body size	B1 (internal thread)	D1	D2	L2	A/F
1	G1/8"	22.0	14.0	74.0	13
2	G1/8"	25.0	17.0	75.0	15
3	G1/4"	30.0	22.0	74.0	19
4	G3/8"	35.0	27.0	79.0	24
5	G1/2"	40.0	30.0	79.0	27
6	G3/4"	45.0	33.0	90.0	30

Other body sizes on request

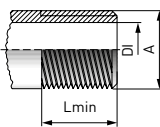
Beads for hose connections



Part no.	Body size	External tube Ø A	Max. operating pressure (PS)	DA + 0.5 / - 0	Lmin*
On request	On request	On request	On request	On request	On request

* Lmin: min. required length after bead for clamping

Whitworth tube thread to ISO 7/1 or DIN EN ISO 228-1 - Plane surface smooth and burr free

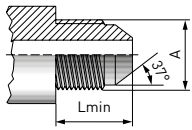


Part no.	Body size	Thread A (external thread)	Max. operating pressure PS	DI max.	Lmin*
TW800G-W8375-085	5	G1/2"	20 bar	14.5	12.0
TW800G-W8376-125	6	G3/4"	20 bar	20.0	12.0

* Lmin: minimum thread length
Other connector sizes on request

Ordering / Accessories

SAE J514 JIC 37°



Part no.	Body size	Thread A (external thread)	Max. operating pressure PS	Lmin*
TW800G-W8320-025	2	UNF 7/16"-20	50 bar	14.0
TW800G-W8321-045	3	UNF 1/2"-20	50 bar	14.0
TW800G-W8322-045	3	UNF 9/16"-18	50 bar	14.5
TW800G-W8323-085	5	UNF 3/4"-16	50 bar	17.0
TW800G-W8324-085	5	UNF 7/8"-14	50 bar	19.5

* Lmin: minimum thread length
Other connector sizes on request

Other connector versions on request.

Required information for ordering see page 7, catalogue no. 35.

ACCESSORIES

The following accessories are available for the WEH® TW800:

Screw plug for plug version

If the WEH® Connector is to be used as a plug, the media inlet 'B1' will be sealed with a screw plug of brass (PVC sealing ring) for low pressure range. It is recommended that the media compatibility of the seal be tested by the customer!



Part no.	Description	Connection (external thread)	Pressure range
E69-9200	Screw plug (low pressure)	G1/8"	0 - 50 bar
E69-9210	Screw plug (low pressure)	G1/4"	0 - 50 bar
E69-9220	Screw plug (low pressure)	G3/8"	0 - 50 bar
E69-9230	Screw plug (low pressure)	G1/2"	0 - 50 bar
W9338	Screw plug (low pressure)	G3/4"	0 - 50 bar

Other products**OTHER PRODUCTS**

You will find more products in our current catalogue no. 35



Further information on our homepage
www.weh.com

Abbreviations/Definition

Explanation of abbreviations see technical appendix in the catalogue or www.weh.com

Safe product selection

Our WEH® Products are designed to be operated by qualified professional users (insofar as WEH® Products are also designed to be operated by other users in individual cases, this is explicitly stated in the corresponding operating instructions). You alone are responsible for the selection of WEH® Products and their configuration according to the requirements of your system. In doing so, please particularly consider your intended use, your performance data, your material compatibility, your system concept and your system limits as well as your technical and legal requirements for operation, handling and maintenance. The quality and safety of WEH® Products is our highest priority. For this reason, WEH® Products may not be used outside the specifications in the relevant data sheets and product descriptions. We also strongly recommend that you refrain from using third-party spare parts or a combination of WEH® Products with unsuitable third-party products. You alone are responsible for reviewing the suitability of third-party products. WEH® Products and WEH® Spare parts comply with our quality and safety standards.

Explanation on the Pressure Equipment Directive

These WEH® Products are generally and exclusively classified as pressure accessories for piping in accordance with Article 2 (5) of the Pressure Equipment Directive 2014/68/EU. These WEH® Products may not be used (i) as safety accessories or (ii) for vessels as defined by the Pressure Equipment Directive 2014/68/EU. Therefore, the application of these WEH® Products must comply with their classification as pressure accessories for piping. The assessment with regard to a different classification can, however, be made on request.

External change management

WEH reserves the right to update, optimise and adjust its products continuously. This may result in corresponding changes of the product. Customers will be informed proactively or unsolicited by WEH only in individual cases about product updates, product optimisations and/or product adaptations that have been carried out. You are free to contact WEH at any time to request information about any product updates, product optimisations and/or product adjustments.

© All rights reserved, WEH GmbH. Any unauthorized use is strictly forbidden. Subject to alteration.
No liability will be assumed for any content. Herewith previous versions are no longer valid.

» Contact

For queries and further information, please do not hesitate to contact us.

Manufacturer:

WEH GmbH Precision Connectors

Josef-Henle-Str. 1
89257 Illertissen / Germany

Phone: +49 7303 9609-0

Email: sales@weh.com

www.weh.com