

GENERAL PURPOSE LATCHING RELAYS

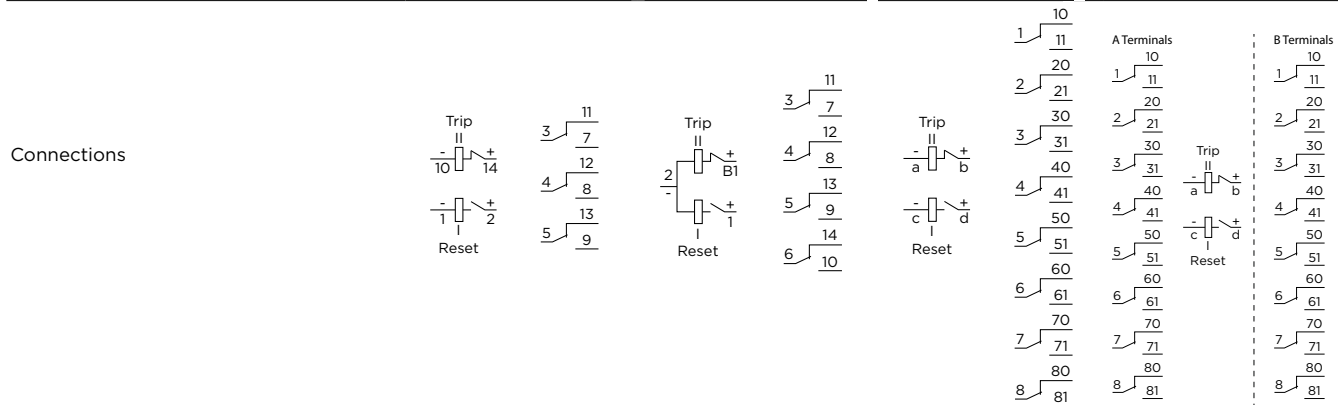
| Model | BF-3 | BF-4 | BJ-8 | BI-16 |
|-------|------|------|------|-------|
|-------|------|------|------|-------|



Applications Relays with two stable positions. Required when the position memory (open-close, automatic-manual, local-remote...) is needed.

Construction characteristics

| Contacts no. | 3 Changeover | 4 Changeover | 8 Changeover | 16 Changeover |
|--------------|--------------|--------------|--------------|---------------|
|--------------|--------------|--------------|--------------|---------------|



Options Options are not available

| Weight (g) | 300 | 600 | 1400 |
|------------|-----|-----|------|
|------------|-----|-----|------|

| Dimensions (mm) | 45 x 45 x 96,5 (F large Type) | 90 x 50 x 100,5 (J large Type) | 120 x 110 x 105 |
|-----------------|-------------------------------|--------------------------------|-----------------|
|-----------------|-------------------------------|--------------------------------|-----------------|

Coil characteristics

| Standard voltages ⁽¹⁾ | 24, 48, 72, 110, 125, 220 Vdc / 63,5, 110, 127, 230 Vac (50-60 Hz) | 24, 48, 72, 110, 125, 220 Vcc/Vca (50/60 Hz) |
|----------------------------------|--|--|
|----------------------------------|--|--|

| Voltage range | +25% -30% U _N | +10% -20% U _n |
|---------------|--------------------------|--------------------------|
|---------------|--------------------------|--------------------------|

Pick-up voltage See pick-up voltage / temperature curves for Latching relays

| Average consumptions only in the change-over | 6 W | 12 W | 24 W |
|--|-----|------|------|
|--|-----|------|------|

Operating time

| Pick-up time | <20 ms |
|--------------|--------|
|--------------|--------|

Contacts

| Contact material | AgNi |
|------------------|------|
|------------------|------|

| Distance between contacts | 1,8 mm |
|---------------------------|--------|
|---------------------------|--------|

| Permanent current | 10 A |
|-------------------|------|
|-------------------|------|

| Instantaneous current | 80 A during 200 ms / 200 A during 10 ms | 80 A during 200 ms / 150 A during 10 ms |
|-----------------------|---|---|
|-----------------------|---|---|

| Max. making capacity | 40 A / 0,5 s / 110 Vdc |
|----------------------|------------------------|
|----------------------|------------------------|

Breaking capacity See breaking capacity curves (Contact configuration)

Max. breaking capacity See value for 50.000 operations

| U _{max} opened contact | 250 Vdc / 400 Vac |
|---------------------------------|-------------------|
|---------------------------------|-------------------|

Performance data

| Mechanical endurance | 10 ⁷ operations |
|----------------------|----------------------------|
|----------------------|----------------------------|

| Operating temperature | -40°C +70°C |
|-----------------------|-------------|
|-----------------------|-------------|

| Storage temperature | -40°C +85°C |
|---------------------|-------------|
|---------------------|-------------|

| Max. operating humidity | 93% / +40°C |
|-------------------------|-------------|
|-------------------------|-------------|

| Operating altitude ⁽²⁾ | <2000 m |
|-----------------------------------|---------|
|-----------------------------------|---------|

⁽¹⁾ Other voltage upon request
⁽²⁾ Ask for higher altitudes

