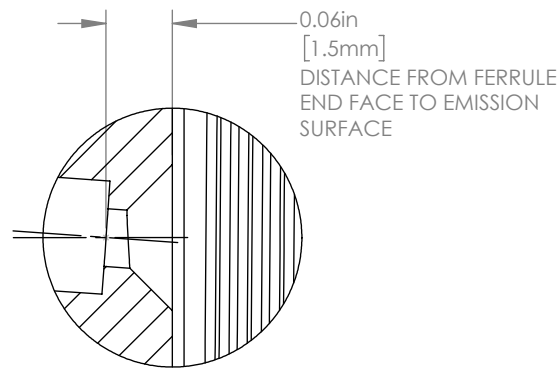
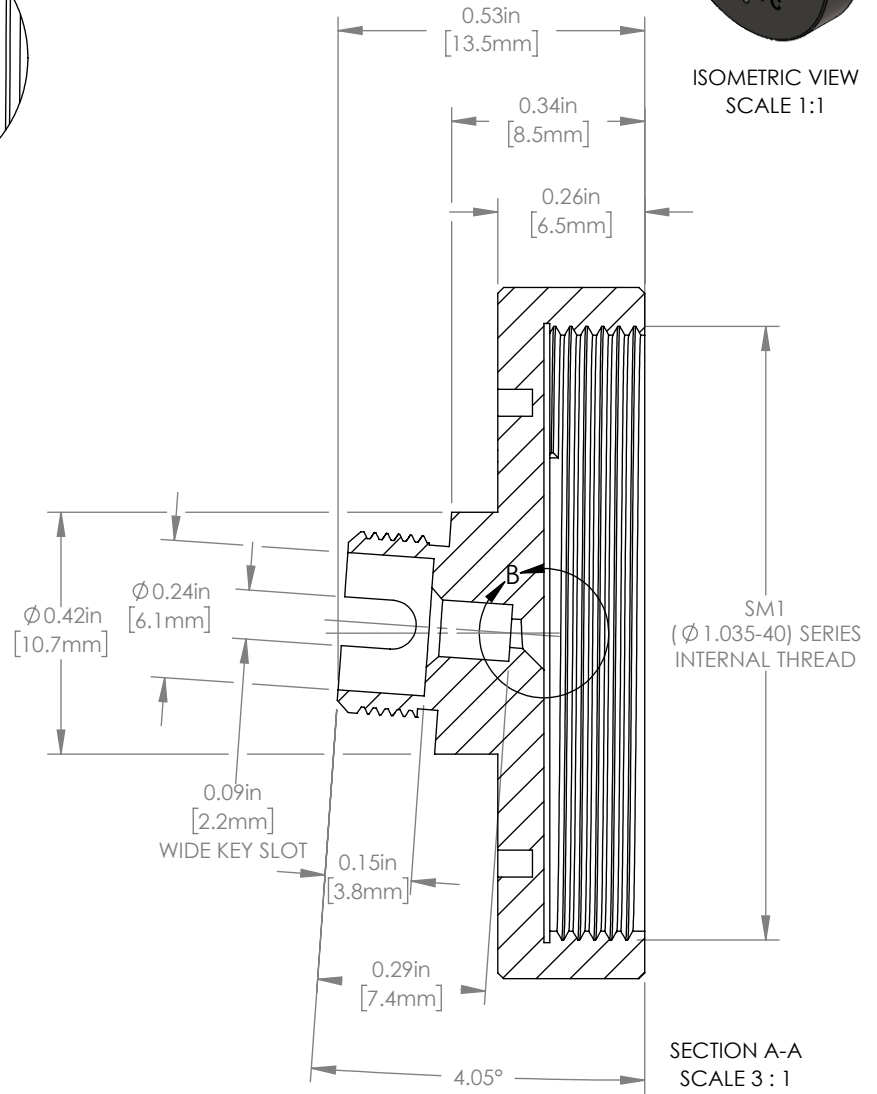
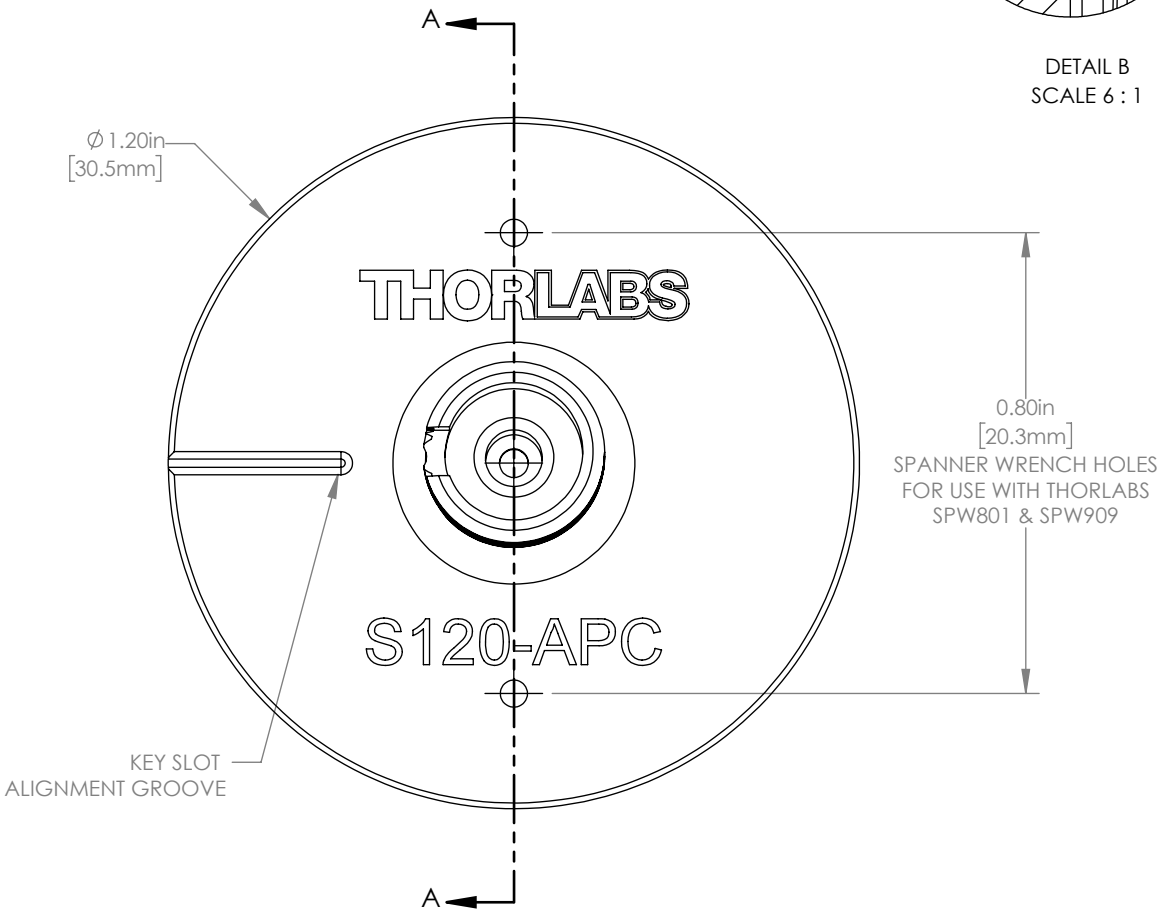




ISOMETRIC VIEW  
SCALE 1:1



DETAIL B  
SCALE 6 : 1



\*INCLUDED BUT NOT SHOWN:  
PROTECTIVE DUST CAP

FOR INFORMATION ONLY  
NOT FOR MANUFACTURING PURPOSES

DRAWING PROJECTION				<b>THORLABS</b> www.thorlabs.com INTERNAL SM1 TO FC/APC FIBER ADAPTER	
NAME	DATE				
DRAWN	CAL	25/OCT/18		MATERIAL	303 STAINLESS STEEL
APPROVAL	KH	25/OCT/18		ITEM #	
COPYRIGHT © 2018 BY THORLABS					APPROX WEIGHT
VALUES IN PARENTHESIS ARE CALCULATED AND MAY CONTAIN ROUND OFF ERRORS				S120-APC	10g
				REV	A