

Power Rheostats

25 Watt



FEATURES

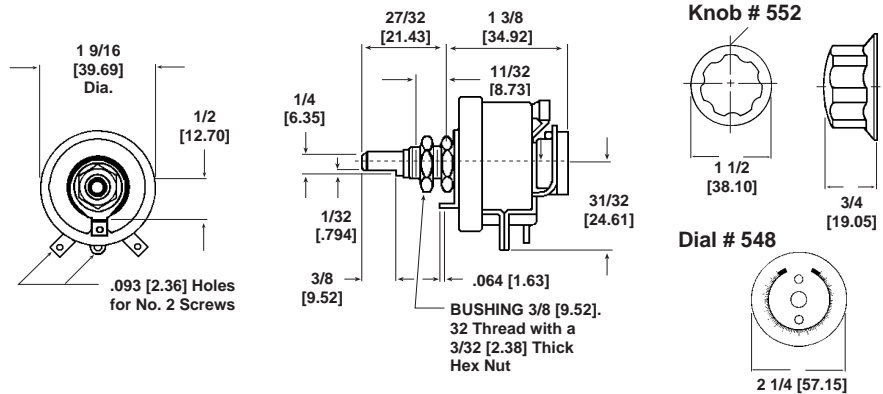
- Diameter 1 9/16" [39.69mm]
- Depth behind panel 1 3/8" [34.92mm]
- Shaft 1/4" [6.35mm] diameter
- Rotation 300° ± 5°
- Weight 0.180 pounds (82 grams)
- Mounts on panels up to 1/4" [6.35mm] by means of a 3/8" [9.52mm], 32 bushing and hex nut
- Non-turn lugs require 3/16" [4.76mm] hole, 1/2" [12.70mm] below center of shaft - Model "A" shaft
- U. L. Recognized, File No. E51076

RESISTANCE VALUES*

TOTAL OHMS	MAXIMUM AMPS	APPROXIMATE STEPS
1.0	5.00	28
2.0	3.54	31
3.0	2.89	48
6.0	2.04	51
8.0	1.77	54
10.0	1.58	54
15.0	1.29	64
25.0	1.00	86
35.0	0.85	105
50.0	0.71	115
75.0	0.58	135
100.0	0.50	152
125.0	0.45	143
175.0	0.38	160
250.0	0.32	185
350.0	0.27	205
500.0	0.22	230
750.0	0.18	270
1000.0	0.16	292
1500.0	0.13	353
2500.0	0.10	358
3500.0	0.08	392
5000.0	0.07	440

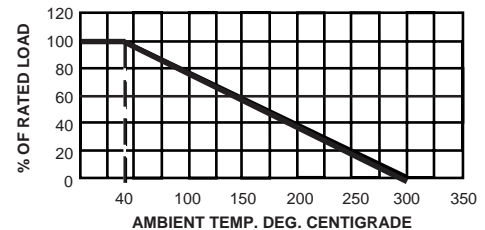
* All other intermediate resistance values are available and can be manufactured on a normal delivery cycle.

DIMENSIONS in inches [millimeters]



DERATING

Angstrom rheostat standard wattage ratings are based on a 300°C rise in "free-air" in ambient not exceeding + 40°C (shown). For other applications, wattage ratings are available based on 340°C rise in "free-air" in ambient not exceeding + 25°C, and in other cases + 50°C.



SPECIAL SHAFTS in inches [millimeters]

<p>1/2 [12.70] shaft diameter, 11/32 [8.73] depth.</p> <p>TYPE B: 1/2 [12.70], 11/32 [8.73] Models. Slotted shaft with standard bushing for 1/8 [3.18] panel.</p>	<p>3/4 [19.05] shaft diameter, 5/8 [15.88] depth.</p> <p>TYPE C: 3/4 [19.05], 5/8 [15.88] Models. Locking bushing with slotted shaft for 1/4 [6.35] panel.</p>	<p>5/8 [15.88] shaft diameter, 1/2 [12.70] depth.</p> <p>TYPE D: 5/8 [15.88], 1/2 [12.70] Models. Locking bushing with slotted shaft for 1/8 [3.18] panel.</p>	<p>27/32 [21.43] shaft diameter, 11/32 [8.73] depth.</p> <p>TYPE E: 27/32 [21.43], 11/32 [8.73] Models. Std. bushing and flatted shaft w/screwdriver slot for 1/8 [3.18] panel.</p>
--	---	---	--

MARKING

- Resistance value
- Amps
- Date code

ORDERING INFORMATION

MP10 MODEL	A BUSHING AND SHAFT CONFIGURATION	1500 VALUE
A = Standard Flatted Shaft		

NOTE: For Additional Features: Submit detailed drawing information when ordering "non-standard" parts.



Notice

Specifications of the products displayed herein are subject to change without notice. Vishay Intertechnology, Inc., or anyone on its behalf, assumes no responsibility or liability for any errors or inaccuracies.

Information contained herein is intended to provide a product description only. No license, express or implied, by estoppel or otherwise, to any intellectual property rights is granted by this document. Except as provided in Vishay's terms and conditions of sale for such products, Vishay assumes no liability whatsoever, and disclaims any express or implied warranty, relating to sale and/or use of Vishay products including liability or warranties relating to fitness for a particular purpose, merchantability, or infringement of any patent, copyright, or other intellectual property right.

The products shown herein are not designed for use in medical, life-saving, or life-sustaining applications. Customers using or selling these products for use in such applications do so at their own risk and agree to fully indemnify Vishay for any damages resulting from such improper use or sale.