

CLS4

capacitive level switch

Contact level control

Suitable for liquids, powders and granules

Protection IP66 ÷ 67

ATEX certified versions

PTFE or PVC insulation



Capacitive units with rod probe for general-purpose, suitable for ON-OFF level control in conductive or non-conductive liquids, IP66 ÷ 67 protection, installation on the top or side of metallic vessels. Available with PTFE or PVC electrode protection.

TECHNICAL FEATURES

Version

compact; with heat sink

Process connection

threaded; flanged; sanitary

IP rating

IP66 / 67

Electronics

TL41R; TL41R ATEX; TC7R3

Electrodes

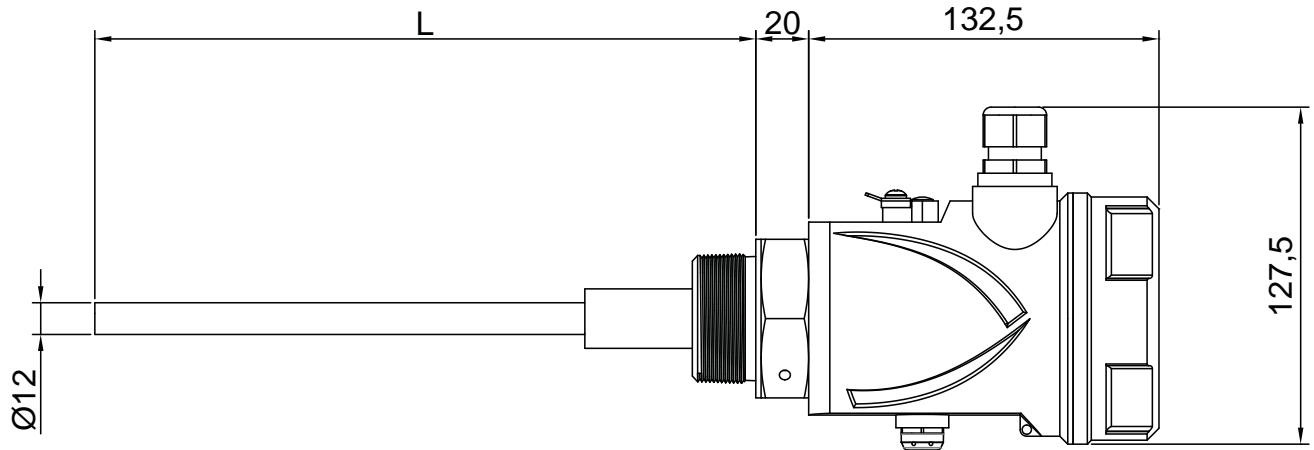
rod partially insulated in PTFE or PVC

Max electrode length

3 m

Certification

ATEX



CLS4 Rod level switch
 ON/OFF capacitive level control
 Suitable for conductive and non-conductive liquids
 Top and lateral side metallic tank-installation

Version	
A	Without preamplifier
B	Compact
D	Compact with carbon-steel dissipator between head and connection
E	Compact, ATEX II 1/2D Ex ia/tb IIIC T150°C Da/Db IP66 (TL41R insert); to be used with "G" housing
F	Compact, with SS316 dissipator between head and connection
H	Separate with M8 female connection + 2m coax cable with double shielding max. 120°C (cod 525A003E). Electrode with DIN B aluminum housing - IP66 - only with 1/2" connection
I	Separate with M8 female connection + 2m coax cable with double shielding max. 120°C (cod 525A003E). Electrode with DIN B aluminum housing - IP66 - only with 1/2" connection
L	Separate with M8 female connection + 2m coax cable with double shielding max. 120°C (cod 525A003E). Electrode with DIN A aluminum housing - IP66
M	Separate with M8 female connection + 2m coax cable with double shielding max. 120°C (cod 525A003E). Electrode with DIN A aluminum housing - IP66
N	Compact, with carbon-steel dissipator, ATEX II 1/2D Ex ia/tb IIIC T150°C Da/Db IP66 (TL41R insert only); to be used with "G" housing
P	Compact, with SS316 dissipator, ATEX II 1/2D Ex ia/tb IIIC T150°C Da/Db IP66 (TL41R insert only); to be used with "G" housing
R	Separate with Al fixing base + 2m coax cable with double shielding max. 120°C (cod 525A003E). Electrode with DIN B aluminum housing - IP66 - only with 1/2" connection
S	Separate with Al fixing base + 2m coax cable with double shielding max. 120°C (cod 525A003E). Electrode with DIN A aluminum housing - IP66
Z	Special
Electronic preamplifier	
00	None
41	TL41R ON-OFF, supply 24Vdc/Vac - 115 Vac 50Hz, Relay output SPDT - without display
42	TL41R ON-OFF, supply 24Vdc/Vac - 115 Vac 50Hz, Relay output SPDT- with removable display
43	TL41R ON-OFF, supply 85÷250Vac 50Hz, Relay output SPDT - without display
44	TL41R ON-OFF, supply 85÷250Vac 50Hz, Relay output SPDT - with removable display
73	TC7.3R local calibration, 24Vdc, 3 relays out for 3 adjustable set-points
99	Special
Housing for electronic preamplifier	
B	IP66 loaded PC, white polycarbonate cap - only with TC7.3R insert
F	PC with transparent cap and osmotic filter, IP67 - only with TL41R insert
G	IP67 aluminum varnished with osmotic filter (necessary for ATEX version) - only with TL41R insert
L	PC with blind cap and osmotic filter, IP67 - only with TL41R insert
Z	Special

Process connection	
01	G1" / Carbon-steel - not for DIN B housing
02	G1" / SS316 - not for DIN B housing
03	1" NPT-M / Carbon-steel - not for DIN B housing
04	1" NPT-M / SS316 - not for DIN B housing
11	G1½" / Carbon-steel - not for DIN B housing
12	G1½" / SS316 - not for DIN B housing
18	G1½" / PVC - only for compact versions, B housing and TC73R insert
19	G1½" / PTFE - not for DIN B housing
20	Sanitary DN25 DIN 11851 / SS304L - not for DIN B housing
21	Sanitary DN40 DIN 11851 / SS304L - not for DIN B housing
22	Sanitary DN50 DIN 11851 / SS304L - not for DIN B housing
40	Threaded flange DN40 PN6 UNI 1092-1 / PVC
41	Threaded flange DN40 PN6 UNI 1092-1 / PTFE
42	Threaded flange DN40 PN16 / Carbon-steel
45	Threaded flange DN50 PN6 UNI 1092-1 / PVC
46	Threaded flange DN80 PN6 UNI 1092-1 / PVC
47	Threaded flange DN100 PN6 UNI 1092-1 / PVC
50	Threaded flange DN40 PN16 / SS304
51	Threaded flange DN40 PN16 / SS316
52	Threaded flange DN50 PN16 DIN 2527 form B (without gasket) / SS316
53	Threaded flange DN80 PN16 DIN 2527 form B (without gasket) / SS316
54	Threaded flange DN100 PN16 DIN 2527 form B (without gasket) / SS316
59	Threaded flange 1½" ANSI RF #150 / SS316
60	Threaded flange 2" ANSI RF # 150 / SS316
61	Threaded flange 3" ANSI RF # 150 / SS316
62	Threaded flange 4" ANSI RF # 150 / SS316
71	CLAMP 1" / SS316
73	CLAMP 1" ½ / SS316
75	CLAMP 2" / SS316
83	G½" / Carbon-steel
84	G½" / Stainless-steel SS316
92	G ¾" / SS316 - not for DIN B housing
99	Special

Electrode type and insulation	
B	PTFE partially insulated SS316 rod
C	SS316 rod with extended PVC insulation
D	PVC totally insulated SS316 rod
G	SS316 rod with extended PTFE insulation
H	PTFE totally insulated SS316 rod
L	PTFE 8/12 totally insulated SS316 rod (for liquids)
Q	PTFE partially insulated SS316 rod + SS316 concentric reference electrode
R	PVC totally insulated SS316 rod + SS316 concentric reference electrode - just for non sensitive part cod A
S	PTFE totally insulated SS316 rod + SS316 concentric reference electrode - just for non sensitive part cod A
Z	Special

L= Electrode length, price each 100mm	
40	PTFE partially insulated SS316 rod
41	SS316 rod with extended PVC insulation
42	PVC totally insulated SS316 rod
45	SS316 rod with extended PTFE insulation
46	PTFE totally insulated SS316 rod
48	PTFE 8/12 totally insulated SS316 rod (for liquids)
53	PTFE partially insulated SS316 rod + SS316 concentric reference electrode
54	PVC totally insulated SS316 rod + SS316 concentric reference electrode
55	PTFE totally insulated SS316 rod + SS316 concentric reference electrode
99	Special

L1 = non sensitive part (rod), material and price each 10cm	
A	None
B	Carbon-steel
C	SS316
Z	Special