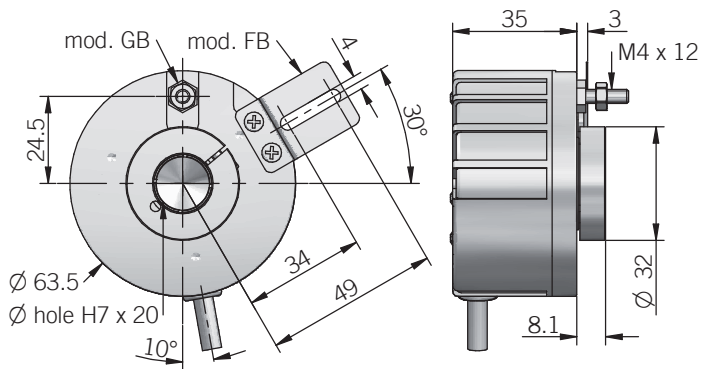
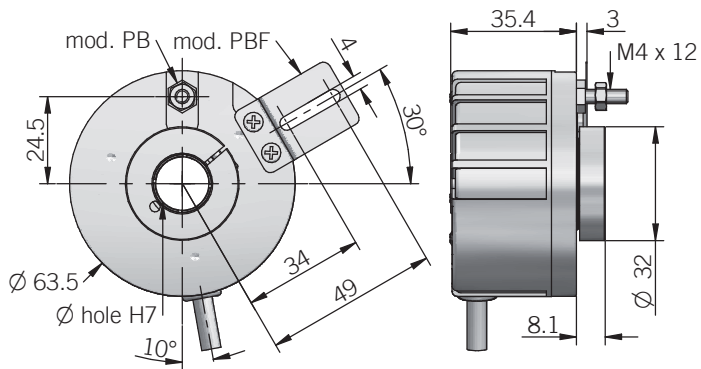




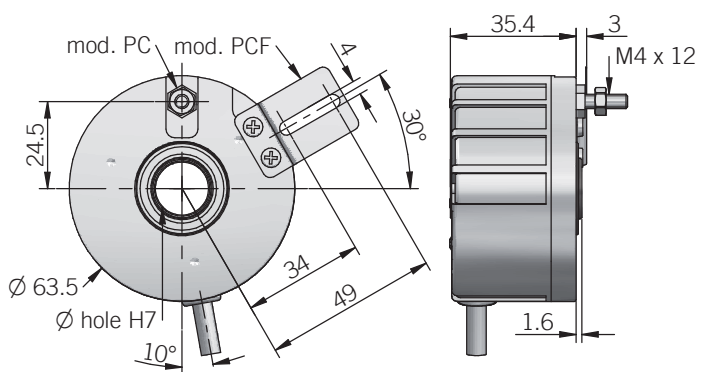
**63 FB / GB**



**63 PB / PBF**



**63 PC / PCF**



torque pin is included in model GB / PB / PC, for model FB / PBF / PCF please refer to Accessories

dimensions in mm

**ELECTRICAL SPECIFICATIONS**

<b>Resolution</b>	from 1 to 2500 ppr
<b>Power supply<sup>1</sup></b>	5 = 4,5 ... 5,5 V DC 5/28 = 4,5 ... 30 V DC (reverse polarity protection)
<b>Power draw without load</b>	800 mW max
<b>Max load current</b>	C / P = 50 mA / channel L / RS = 20 mA / channel
<b>Electrical interface<sup>2</sup></b>	NPN open collector (AIEC-7273, pull-up max +30 V DC) push-pull / line driver HTL (AIEC-7272) line driver RS-422 (AELT-5000 or equivalent)
<b>Max output frequency</b>	300 kHz
<b>Counting direction</b>	A leads B clockwise (shaft view)
<b>Electromagnetic compatibility</b>	according to 2014/30/EU directive
<b>RoHS</b>	according to 2015/863/EU directive
<b>UL / CSA</b>	certificate n. E212495

**MECHANICAL SPECIFICATIONS**

<b>Bore diameter</b>	ø 8 / 10 / 12 / 14 / 15 mm
<b>Enclosure rating</b>	IP 54 (IEC 60529)
<b>Max rotation speed</b>	3000 rpm
<b>Shock</b>	50 G, 11 ms (IEC 60068-2-27)
<b>Vibration</b>	10 G, 10 ... 2000 Hz (IEC 60068-2-6)
<b>Moment of inertia</b>	4 x 10 <sup>-6</sup> kgm <sup>2</sup> (95 x 10 <sup>-6</sup> lbf <sup>2</sup> )
<b>Starting torque (at +20°C / +68°F)</b>	< 0,04 Nm (5,66 Ozin)
<b>Bearing stage material</b>	EN-AW 2011 aluminum
<b>Shaft material</b>	1.4305 / AISI 303 stainless steel
<b>Housing material</b>	PA 66 glass fiber reinforced
<b>Bearings</b>	n.2 ball bearings
<b>Bearings life</b>	10 <sup>9</sup> revolutions
<b>Operating temperature<sup>3,4</sup></b>	-10° ... +60 °C (+14° ... +140°F)
<b>Storage temperature<sup>4</sup></b>	-25° ... +70 °C (-13° ... +158°F)
<b>Weight</b>	350 g (12,35 oz)

<sup>1</sup> as measured at the transducer without cable influences

<sup>2</sup> for further details refer to OUTPUT LEVELS on TECHNICAL BASICS section

<sup>3</sup> measured on the transducer flange

<sup>4</sup> condensation not allowed

**CONNECTIONS**

Function	Cable C / P	Cable L / RS
+V DC	red	red
0 V	black	black
A+	green	green
A-	/	brown or grey
B+	yellow	yellow
B-	/	orange
Z+	blue	blue
Z-	/	white
⊖	shield	shield

**RESOLUTIONS**

1 - 2 - 5 - **20** - 25 - 32 - 50 - 60 - 100 - 128 - **200** - 250 - 256 - **360** - 400 - 500 - 512 - 600 - 720 - 1000 - **1024** - 1440 - 1800 - **2000** - 2048 - 2500

please directly contact our offices for other pulses, preferred resolutions in bold