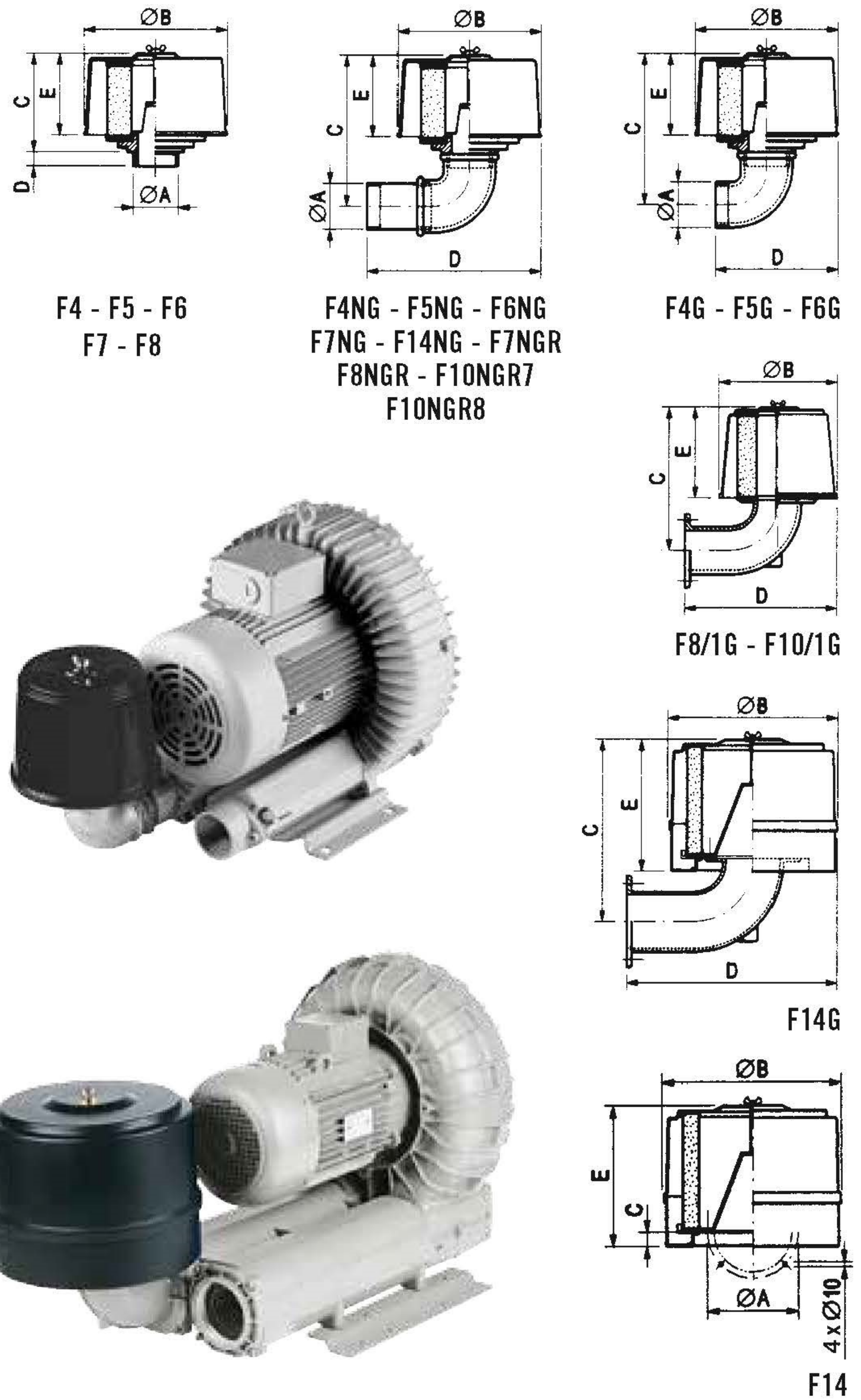


Filtri a cartuccia per soffianti Filters for blowers										
Tipo filtro Filter type	Tipo macchina Machine type	Ø A	Ø B	C	D	E	Peso Weight [kg]	Tipo cartuccia Cartridge type		
		("gas")	[mm]							
F4	CL 3.6/01	1"	95	99	12	100	0,4	C4...(*)		
	CL 4/01									
F5	CL 7/01	1" 1/4	150	106	15	87	0,9	C6...(*)		
F6	CL 10/01	1" 1/2	150	106	15	87	0,9	C6...(*)		
F7	CL 15/01	2"	190	167	18	145	1,5	C8...(*)		
F8	CL 18/01	2" 1/2	190	167	18	145	1,6	C8...(*)		
	CL 22/01									
F4NG	CL 20 HS	1"	95	139	175	100	0,7	C4...(*)		
	CL 1R2.5									
F5NG	CL 30-Z HS	1" 1/4	150	153	205	87	1,4	C6...(*)		
	CL 1R3.5									
	CL 220 HS									
F6NG	CL 40 HS	1" 1/2	150	158	235	87	1,5	C6...(*)		
F7NG	CL 50 HS	2"	190	227	238	145	2,5	C8...(*)		
	CL 1R5.5									
	CL 60 HS									
F7NGR	CL 420 HS	1" 1/2	190	224	330	145	2,5	C8...(*)		
F8NGR	CL 520 HS	2"	190	235	340	145	3,3	C8...(*)		
F10NGR7	CL 720 HS (3-4,3 kW)	2"	250	304	380	190	4,4	C10...(*)		
	CL 720 HS (5,5-7,5 kW)									
F10NGR8	CL 80-Z HS	2" 1/2	250	307	305	190	4,6	C10...(*)		
	CL 2R8									
F14NG	CL 1R9	4"	378	395	460	298	10	C14...(*)		
	CL 2R9									
F4G	CL 4/21	1"	95	139	100	100	0,5	C4...(*)		
F5G	CL 7/21	1" 1/4	150	153	135	87	1,1	C6...(*)		
F6G	CL 10/21	1" 1/2	150	158	140	87	1,1	C6...(*)		
F8/1G	CL 12/21	-	190	241	261	145	2	C8...(*)		
	CL 14/21									
	CL 17/21									
	CL 20/21			244	270					
	CL 23/21									
	CL 28/1			241	271					
CL 34/1	244	270	2,2							
F10/1G	CL 30/21	-	250	304	326	190	2,4	C10...(*)		
	CL 36/21									
	CL 40/1			307	300					
	CL 46/1			304	326					
	CL 60/1									
F14G	CL 42/21	-	378	411	330	298	7,5	C14...(*)		
	CL 49/21									
	CL 72/1									
	CL 84/1									
	CL 98/1									
F14	TBT/M	194	378	27	-	298	5,4	C14...(*)		



(*) Le cartucce filtranti sono disponibili nelle versioni:

- C... C in carta trattata
- C... P in poliestere
- C... A in poliestere antistatico
- C... I in acciaio inox

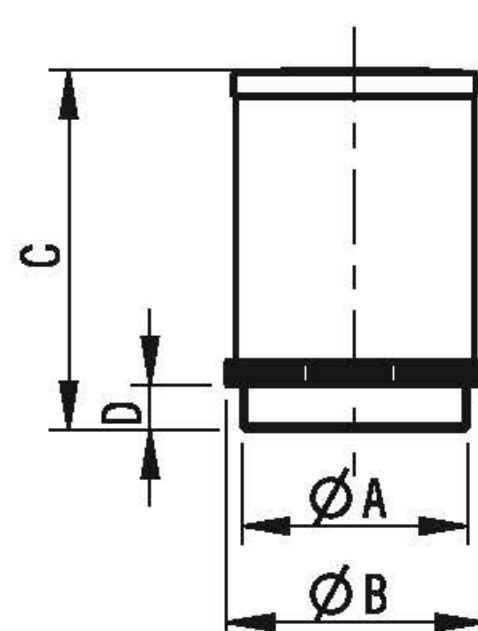
(*) The cartridges are available made in the following versions:

- C... C resin treated paper
- C... P polyester
- C... A antistatic polyester
- C... I stainless steel



Rete filtrante e coperchio in acciaio inox (AISI 304)
Manicotto filettato in Nylon (PA)

Filtering net and cover in stainless steel (AISI 304)
Threaded connection in Nylon (PA)



Filtri a rete per soffianti Net-filters for blowers					
Tipo filtro Filter type	Ø A	Ø B	C	D	Peso Weight [g]
	("gas")	[mm]			
FR4	1"	40	58	10	18
FR5	1" 1/4	48	68	10	25
FR6	1" 1/2	58	79	10	36
FR7	2"	68	95	12	55
FR8	2" 1/2	83	99	15	78
FR10	3"	100	114	15	126
FR15	4"	127	130	13	172