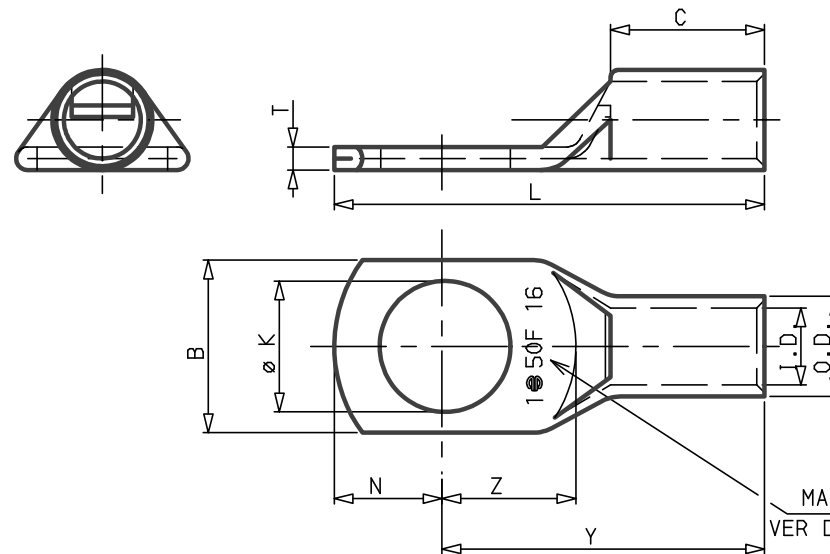
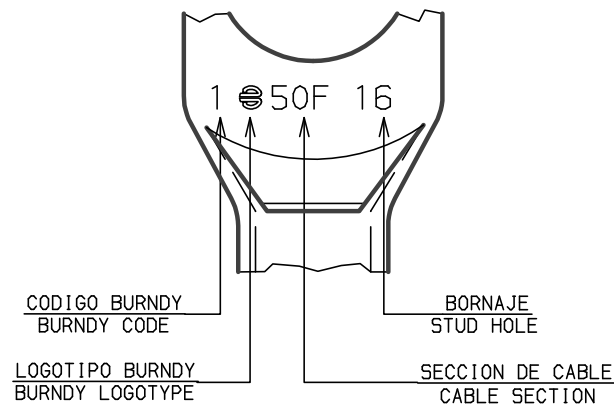


REV	DATE	DESCRIPTION	BY	VER.
01	04.94	EC5100	J.T.	MDK
02	04.95	EC5218	J.T.	MDK
03	02.99	EC5564	J.R.	S.L.
04	04.99	EC5582	J.R.	S.L.
05	03.02	EC5758	D.G.	R.F.

N° CATALOGO CATALOG No	SECCION CABLE CABLE SECTION	DIMENSIONES - DIMENSIONS										
		øK	I.D.	O.D.	B	C	N	Z	Y	L	T	
YAV06FM4	6F	4.3	3.8	5.8	8	9.9	5	6.2	18.1	23.1	1.8	
YAV06FM5		5.3			9.7		7.2	19.1	24.1	1.5		
YAV06FM6		6.4			11		8.2	20.1	25.6	1.3		
YAV06FM8		8.4			13		7	10.2	22.1	29.1	1.1	
YAV06FM10		10.5			14		9	12.2	24.1	33.1	1	
YAV10M3	10	3.7	4.6	6.9	10.3	12	4	4.9	18.9	22.9	2	
YAV10M4		4.3					5	5.4	19.4	24.4		
YAV10M5		5.3					5.5	6.4	20.4	25.9		
YAV10M6		6.4					6	7.4	21.4	27.4	1.8	
YAV10M8		8.4					8	9.4	23.4	31.4	1.4	
YAV10M10		10.5					10	11.4	25.4	35.4	1.4	
YAV10M12		13.2					12	14.4	28.4	40.4	1.2	
YAV16M4		16					4.3	5.7	7.9	12.7	14	5
YAV16M5	5.3		5.5	6.4	22.9	28.4						
YAV16M6	6.4		6	7.4	23.9	29.9						
YAV16M8	8.4		8	9.4	25.9	33.9	1.6					
YAV16M10	10.5		10	11.4	27.9	37.9	1.6					
YAV16M12	13.2		12	14.4	30.9	42.9	1.4					
YAV25M4	25	4.3	7.2	9.5	13.9	15	6	6.4	24.7	30.7	2.2	
YAV25M5		5.3					6.5	7.4	25.7	32.2		
YAV25M6		6.4					8	9.4	27.7	35.7	1.9	
YAV25M8		8.4					10	11.4	29.7	39.7	1.9	
YAV25M10		10.5					12	14.4	32.7	44.7	1.6	
YAV25M12	13.2	15.9	18.5	12	14.4	32.7	44.7	1.6				
YAV35M5	35	5.3	8.5	11.3	16.4	17	6.5	6.4	27.4	33.9	2.4	
YAV35M6		7					7.4	28.4	35.4			
YAV35M8		8.4					8	9.4	30.4	38.4	2.4	
YAV35M10		10.5					10	11.4	32.4	42.4	2.1	
YAV35M12		13.2					12	14.4	35.4	47.4	2.1	
YAV35M14		15.0					14	17.4	38.4	52.4	1.7	
YAV35M16		17.0					14	17.4	38.4	52.4	1.7	
YAV50M5	50	5.3	9.5	12.5	18.2	20	7	6.4	30.9	37.9	2.8	
YAV50M6		7.5					7.4	31.9	39.4			
YAV50M8		8.4					9	9.4	33.9	42.9	2.8	
YAV50M10		10.5					10	11.4	35.9	45.9	2.5	
YAV50M12		13.2					12	14.4	38.9	50.9	2.4	
YAV50M14		15.0					14	17.4	41.9	55.9	2.3	
YAV50M16	17.0	14	17.4	41.9	55.9	2.3						
YAV50FM5	50F	5.3	10	13	19.5	20	7	6.4	30.9	37.9	2.8	
YAV50FM6		7.5					7.4	31.9	39.4			
YAV50FM8		8.4					9	9.4	33.9	42.9	2.6	
YAV50FM10		10.5					10	11.4	35.9	45.9	2.6	
YAV50FM12		13.2					12	14.4	38.9	50.9	2.5	
YAV50FM14		15.0					14	17.4	41.9	55.9	2.4	
YAV50FM16	17.0	14	17.4	41.9	55.9	2.4						

N° CATALOGO CATALOG No	SECCION CABLE CABLE SECTION	DIMENSIONES - DIMENSIONS										
		øK	I.D.	O.D.	B	C	N	Z	Y	L	T	
YAV70M5	70	5.3	11.3	14.3	21.4	21	7	6.4	32.4	39.4	2.8	
YAV70M6		6.4					7.5	7.4	33.4	40.9		
YAV70M8		8.4					9	9.4	35.4	44.4	2.8	
YAV70M10		10.5					10	11.4	37.4	47.4	2.7	
YAV70M12		13.2					12	14.4	40.4	52.4	2.7	
YAV70M14		15.0					14	17.4	43.4	57.4	2.7	
YAV70M16		17.0					14	17.4	43.4	57.4	2.7	
YAV70FM5	70F	5.3	12.8	16.1	23.8	25	7	6.4	37.4	44.4	3.1	
YAV70FM6		6.4					7.5	7.4	38.4	45.9		
YAV70FM8		8.4					9	9.4	40.4	49.4	3.1	
YAV70FM10		10.5					11	11.4	42.4	53.4	3.1	
YAV70FM12		13.2					12	14.4	45.4	57.4	3.1	
YAV70FM14		15.0					14	17.4	48.4	62.4	3.1	
YAV70FM16	17.0	14	17.4	48.4	62.4	3.1						
YAV95M6	95	6.4	13.4	17	25	25	7.5	7.4	39.4	46.9	3.4	
YAV95M8		8.4					9.5	9.4	41.4	50.9		
YAV95M10		10.5					11	11.4	43.4	54.4	3.4	
YAV95M12		13.2					12	14.4	46.4	58.4	3.4	
YAV95M14		15.0					14	17.4	49.4	63.4	3.4	
YAV95M16		17.0					14	17.4	49.4	63.4	3.4	
YAV95M18		18.0					16	23.4	55.4	71.4	2.8	
YAV95M20	21.0	16	23.4	55.4	71.4	2.8						
YAV95FM6	95F	6.4	14.2	17.7	25	27	7.5	7.4	39.4	46.9	3.3	
YAV95FM8		8.4					9.5	9.4	41.4	50.9		
YAV95FM10		10.5					11	11.4	43.4	54.4	3.3	
YAV95FM12		13.2					12	14.4	46.4	58.4	3.3	
YAV95FM14		15.0					14	17.4	49.4	63.4	3.3	
YAV95FM16		17.0					14	17.4	49.4	63.4	3.3	
YAV95FM20	21.0	16	23.4	55.4	71.4	2.8						
YAV120M6	120	6.4	15	19	29	27	7.5	7.4	42.4	49.9	3.5	
YAV120M8		8.4					9.5	9.4	44.4	53.9		
YAV120M10		10.5					11	11.4	46.4	57.4	3.5	
YAV120M12		13.2					12	14.4	49.4	61.4	3.5	
YAV120M14		15.0					14	17.4	52.4	66.4	3.5	
YAV120M16		17.0					14	17.4	52.4	66.4	3.5	
YAV120M20		21.0					16	23.4	58.4	74.4	3.2	
YAV120FM6	120F	6.4	15.9	19.6	29	27	7.5	7.4	42.4	49.9	3.5	
YAV120FM8		8.4					9.5	9.4	44.4	53.9		
YAV120FM10		10.5					11	11.4	46.4	57.4	3.5	
YAV120FM12		13.2					12	14.4	49.4	61.4	3.5	
YAV120FM14		15.0					14	17.4	52.4	66.4	3.5	
YAV120FM16		17.0					14	17.4	52.4	66.4	3.5	
YAV120FM20	21.0	16	23.4	58.4	74.4	3.2						

DETALLE DEL MARCAJE
MARKING DETAIL



MATERIAL: CU 99.9% DIN40500

ACABADO-FINISH: ESTAÑADO - TIN PLATED

TOLERANCIAS SALVO ESPECIFICACION CONTRARIA 1 DEC ± 0.1 1 DEC 2 DEC ± 0.05 2 DEC ANGULOS ± 0°30' ANGLES		TOLERANCES UNLESS OTHERWISE SPECIFIED		TODAS LAS DIMENSIONES EN MILIMETROS		ALL DIMENSIONS IN MILIMETERS	
APPROVALS DRAFT CHECKED PROD. ENG. MGR. PLANT ENG. MGR. MFG. ENG. MGR.		DATE 18.4.94 18.4.94 18.4.94		SIGN. J.R. M.D.K.		COPPER HYLUG CAT. NO. : YAV..M.. (tabla-table) FRAMATOME CONNECTORS ESPAÑA, S.A. Sant Esteve Sesrovires - Barcelona Spain BURNDY ELECTRICAL PRODUCTS	
DRWG. NO. : BSD505000.000.05		SHEET		REV		ESCALA SCALE	