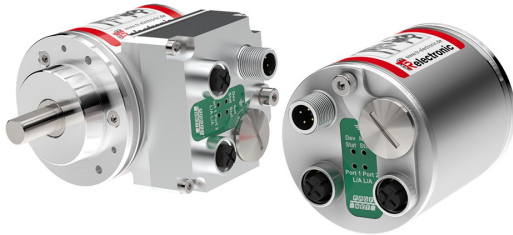


CEV582M*8192/4096 EPN (ALT:CEV58M-00379)

Order-#: CEV582M-10379
15.4.2020 / 010102058202030201



Stock photo



Advantages

- _ Fast start-up, FSU
- _ Fractions for gear factor
- _ Isochronous applications, IRT
- _ Media-Redundancy Protocol, MRP
- _ PNO Encoder Profile, CL 3/4
- _ Preset "on the fly"
- _ Salt-resistant

Technical data for CEV582M-10379

NO.OF STEPS/REV	8.192,000
NO. OF REVOLUTIONS	4.096,000
INTERFACE	PROFINET IO
CODE	BINARY
SUPPLY VOLTAGE	10-30V
CONNECTOR TYPE	1X4P.M12-CONNECTOR 2X4P.M12-CONN., D-COD(FEMALE)
CONNECTOR-POSITION	RADIAL
MATING PLUG	NO
FLANGE TYPE	ZB36 3XM3+3XM4
SHAFT TYPE	10FL/19,5
TEMPERATURE RANGE	-20+75°C
PROTECTION Class	IP65
OPTIONS ENC	CONFORMANCE CLASS C SUBSTITUTE FOR C_58
PINOUT NO.	TR-ECE-TI-DGB-0306
DRAWING NO.	04-CEV582M-M0002
DOCUMENTATION NO	DOKUMENTE
EL:	AL:N
ECCN:	ECCN:N

Subject to change.

TR-Electronic GmbH
Eglshalde 6
78647 Trossingen
Tel. +49 (0) 7425 228-0
info@tr-electronic.de
www.tr-electronic.de

CEV582M*8192/4096 EPN (ALT:CEV58M-00379)

Order-#: CEV582M-10379
15.4.2020 / 010102058202030201

Technical data for CEV582M-10379 continuation

MTTFd [y] (T=45°C, DC=0) >=	100
UL-APPROVALS	USA+CANADA

General data for K-CEV58_2-PN-1

Nominal voltage	
- Specific value	24 VDC
- Limit values, min/max	10/30 VDC
Nominal current, typically	
- Specific value	120 mA
- Condition	unloaded
Supply	
- In case of UL / CSA approval	according to NEC Class 2
Device design	
- Type	Single-/Multi-Turn
Total resolution	<= 33 Bit
Number of steps per revolution	<= 32768
Number of revolutions	<= 256000
Output capacity	<= 30 Bit
PROFINET IO - Interface	
- PROFINET IO – Device	IEC 61158, IEC 61784-1
- Physical Layer	Fast Ethernet, ISO/IEC 8802-3
- PROFINET-Specification	V2.3
- Conformance Class	B, C
- Real-Time-Classes	Class 1, 2 (RT), Class 3 (IRT)
- Media Redundancy Protocol, MRP	yes, is supported
- PNO Encoder-Profile	Class 3 and 4, V4.1
- Fast Start-Up (FSU)	3-times faster start-up
Transmission rate	
- Specific value	100 MBit/s
Parameter/Function, changeable	Addressing
	Adjustment - Parameter
	Scaling parameter
	Counting direction
	Velocity parameter
Type of parametrization	programmable
Programming - Tool	Fieldbus-Device
Maximum Speed, mechanically	<= 12000 1/min

Subject to change.

CEV582M*8192/4096 EPN (ALT:CEV58M-00379)

Order-#: CEV582M-10379
15.4.2020 / 010102058202030201

General data for K-CEV58_2-PN-1 continuation

Shaft load, axial/radial	<= 50 N, <= 100 N
Bearing life time	>= 3.9E+10 revolutions
Bearing life time - Parameter	
- Speed	6000 1/min
- Operating temperature	60 °C
- Shaft load, axial/radial	= 60 %
Point of origin, shaft load	Mounting flange + 10 mm
Shaft type	
- Shaft diameter [mm]	6
- Shaft diameter [mm]	8
- Shaft diameter [mm]	10
- Shaft diameter [mm]	12
- Shaft diameter ["]	1/4
- Shaft diameter ["]	3/8
- Shaft diameter ["]	1/2
Angular acceleration	<= 10E+4 rad/s ²
Moment of inertia, typically	1.3E-6 kg m ²
Start-up torque, 20 °C	2 Ncm
Mass, typically	0.3 kg

Environmental data

Vibration	DIN EN 60068-2-6
- Specific value	<= 100 m/s ²
- Sine	50...2000 Hz
Shock	DIN EN 60068-2-27
- Specific value	<= 1000 m/s ²
- Half sine	11 ms
Immunity to disturbance	DIN EN 61000-6-2
Transient emissions	DIN EN 61000-6-3
Working temperature	
- Standard	-20...+75 °C
- Optional	-40...+75 °C;
Storage temperature, dry	-30...+85 °C
Relative humidity	98 %, non condensing
Protection class	
- Standard	IP65

Subject to change.

CEV582M*8192/4096 EPN
(ALT:CEV58M-00379)

Order-#: CEV582M-10379
15.4.2020 / 010102058202030201

Environmental data continuation

Resistance	
- against salt (seawater)	DIN EN IEC 60068-2-52
- Test method	Test method 1
- excluded are	Attachment parts

Subject to change.

2x4pol. M12-Stecker, d-codiert (Buchse)
2x4pin. M12-connector, d-coded (female)

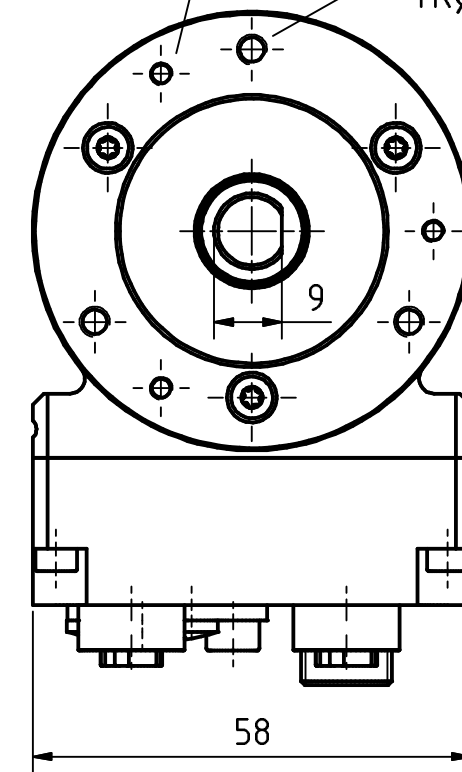
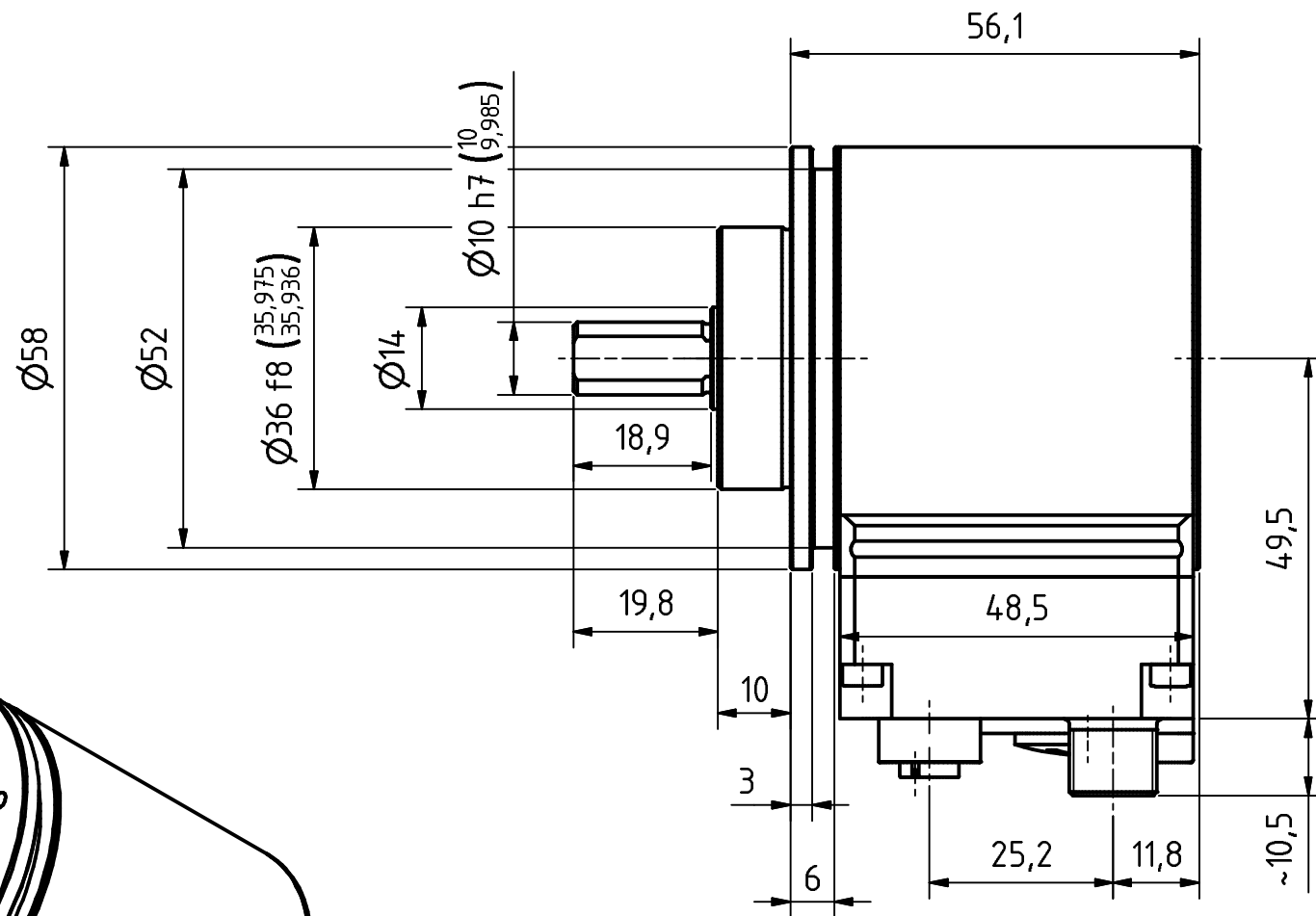
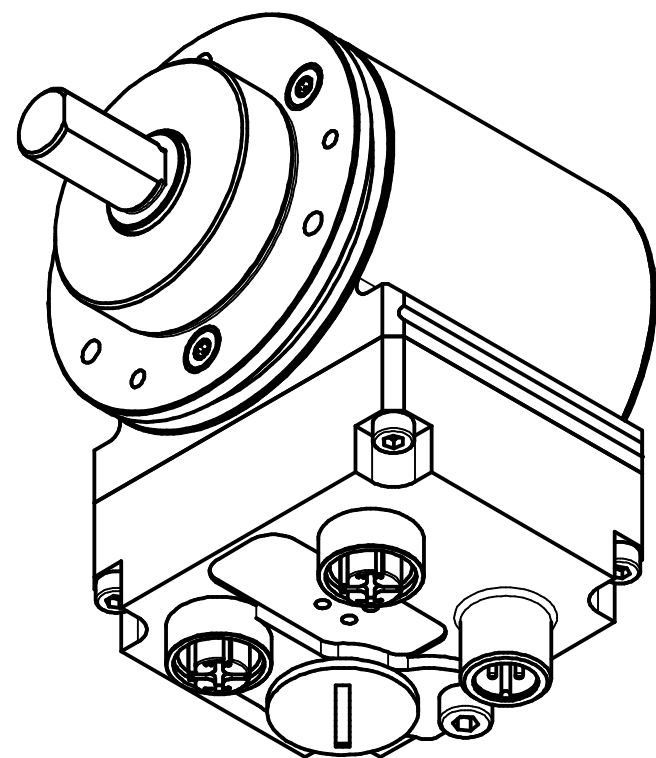
4pol. M12-Stecker (Spannungsversorgung)
4pin. M12-male-connector (Supply voltage)

Gewinde M4 für
Potentialausgleich
thread m4 for
potential equalisation


Verschlussstopfen M16x1.5
dummy plug M16x1.5

3xM3, 3tief/deep
TK \varnothing 48 \pm 0.2, (3x120°)

3xM4, 3tief/deep
TK \varnothing 48 \pm 0.2, (3x120°)

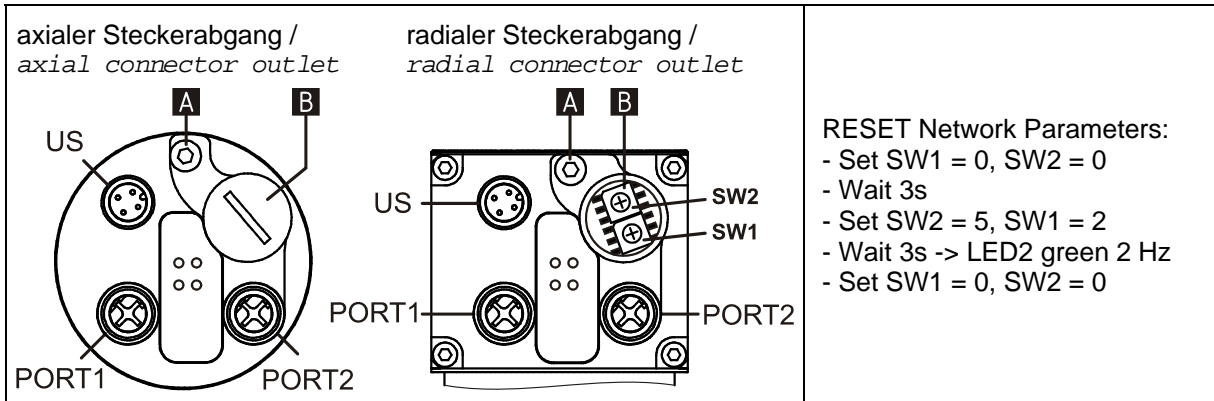


Artikel-Nr. und Steckerbelegung: siehe Datenblatt
Article-No. and pin connections: see data sheet

	TR-Electronic GmbH Eglisshalde 6 D-78647 Trossingen phone +49 7425 228.0 www.tr-electronic.de		Maßstab 1:1 DIN A3		Projekt-Nr.:
	Zeichnungs-Nr. nur für diese Ausführung gültig Drawing-No. only for this type valid		CEV-582-M, 36er Zentr.		
			Datum	Name	Zeichnungs-NR./Drawing-No.: 04-CEV582M-M0002
		Erstellt	17.07.2017	FLAIG	
		Bearb.	17.07.2017	FLAIG	
		Gepr.	20.07.2017	NEMECZ	
		Norm			Blatt 1 1 BU
Zustf.	Änderungen	Datum	Name	www.tr-electronic.de DXF+Info: info@tr-electronic.de	

Steckerbelegung / Pin assignment

Baureihe 582 / 802 / 1102 PROFINET



A Potentialausgleich / *Potential equalisation*

B Option: Rückstellung der Netzparameter / *Option: Resetting of the network parameters*

US	Flanschstecker / <i>Male socket</i> (M12x1-4 pol. A-coded)		Steckseite <i>Mating Face</i>	
1	10 – 30 V DC	Encoder-Versorgungsspannung / <i>Encoder-Supply Voltage</i>		
2	-	N.C.		
3	0 V	Encoder-Versorgungsspannung / <i>Encoder-Supply Voltage</i>		
4	-	N.C.		

PORT 1	Flanschdose / <i>Female socket</i> (M12x1-4 pol. D-coded)			Steckseite <i>Mating Face</i>	
1	TxD+	Sendedaten +	<i>Transmission Data +</i>		
2	RxD+	Empfangsdaten +	<i>Receive Data +</i>		
3	TxD-	Sendedaten -	<i>Transmission Data -</i>		
4	RxD-	Empfangsdaten -	<i>Receive Data -</i>		

PORT 2	Flanschdose / <i>Female socket</i> (M12x1-4 pol. D-coded)			Steckseite <i>Mating Face</i>	
1	TxD+	Sendedaten +	<i>Transmission Data +</i>		
2	RxD+	Empfangsdaten +	<i>Receive Data +</i>		
3	TxD-	Sendedaten -	<i>Transmission Data -</i>		
4	RxD-	Empfangsdaten -	<i>Receive Data -</i>		



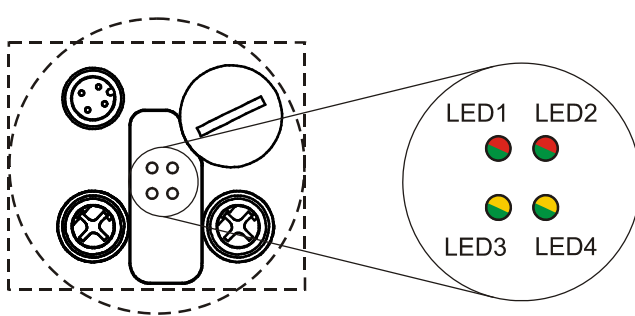
Die Schirmung ist großflächig auf das Gegensteckergehäuse aufzulegen!
Empfehlung: Potentialausgleich [A] großflächig mit dem Erdungsanschluss verbinden. /

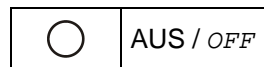
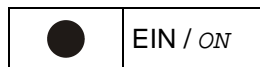
The shielding is to be connected with large surface on the mating connector housing!
Recommendation: Connect the potential equalisation [A] to the grounding connection across a sufficiently sized surface.

Betriebsanleitung beachten! - Observe User Manual!

Änderungen vorbehalten / Subject to change

Steckerbelegung / Pin assignment

Status-LEDs	
	<p>LED1: Device Status (grün, rot / <i>green, red</i>)</p> <p>LED2: Net Status (grün, rot / <i>green, red</i>)</p> <p>LED3: PORT1, Data / Link (grün, gelb / <i>green, yellow</i>)</p> <p>LED4: PORT2, Data / Link (grün, gelb / <i>green, yellow</i>)</p>



LED1	DEV - Device-Status LED
○	Spannungsversorgung fehlt; Hardware defekt / <i>Voltage supply absent, Hardware defective</i>
●	Mess-System defekt; falsche Positionsangabe; Speicherfehler; Presetwert außerhalb Bereich / <i>Measuring system defective; wrong Position output; Memory error; Preset value out of range</i>
●	Normalbetrieb; Datenaustausch / <i>Normal operation; Data exchange</i>

LED2	NET - Net-Status LED
○	Spannungsversorgung fehlt; Hardware defekt / <i>Voltage supply absent, Hardware defective</i>
●	keine Verbindung zu einem IO-Controller; kein Datenaustausch / <i>No connection to a IO controller; no data exchange</i>
◉	Parametrierungsfehler; ungültige Konfigurationsparameter; kein Datenaustausch; Master-Lebenszeichenfehler / <i>Parameterisation fault; invalid configuration parameters; no data exchange; Master Sign-Of-Life failure</i>
●	Datenaustausch / <i>Data exchange</i>

LED3 / LED4	PORT1 / PORT2 - Link/Data LEDs
○	keine Ethernet-Verbindung hergestellt / <i>No ethernet connection established</i>
●	Ethernet-Verbindung hergestellt / <i>Ethernet connection established</i>
◉ / ●	Datenaustausch aktiv / <i>data exchange active</i>

Bestellangaben zum Ethernet Steckverbinder, passend zur Flanschdose M12x1-4 pol. D-kodiert /
Order numbers for the Ethernet connector, suitably for the D-coded female socket M12x1-4 pol.

Hersteller / <i>Manufacturer</i>	Bezeichnung / <i>Name</i>	Art-No.:
Binder	Series 825	99 3729 810 04
Phoenix Contact	SACC-M12MSD-4CON-PG 7-SH (PG 7)	15 21 25 8
Phoenix Contact	SACC-M12MSD-4CON-PG 9-SH (PG 9)	15 21 26 1
Harting	HARAX® M12-L	21 03 281 1405



Betriebsanleitung beachten! - Observe User Manual!



Änderungen vorbehalten / Subject to change