
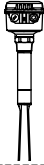



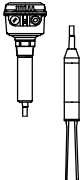
Table of content

	Page
Overview	2
Specifications	4
Applications	5

VN ..020 Short extension length	6
	

VN ..030 Pipe extension	8
	

VN ..040 Pipe extension (screwed)	10
	

VN ..050 Cable extension	12
	

Options	14
Accessories	16
Dimensions	17
Detailed Ex-markings	21
Electrical installation	22
Spare parts Electronic modules	24

Subject to change.

All dimensions in mm (inches).

All prices in Euro (€) or USD (\$),
excluding VAT.

All EURO prices are EXW Betzigau,
all USD prices are EXW Memphis,
excluding packaging costs.

Valid: From 01.04.2018 until 31.03.2019, unless otherwise agreed.

By publishing this selection list all other lists become invalid.

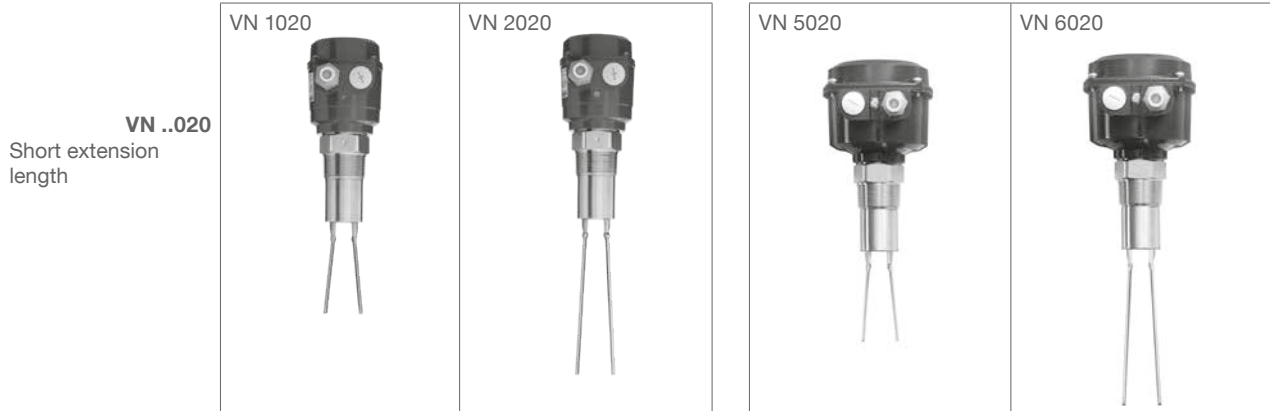
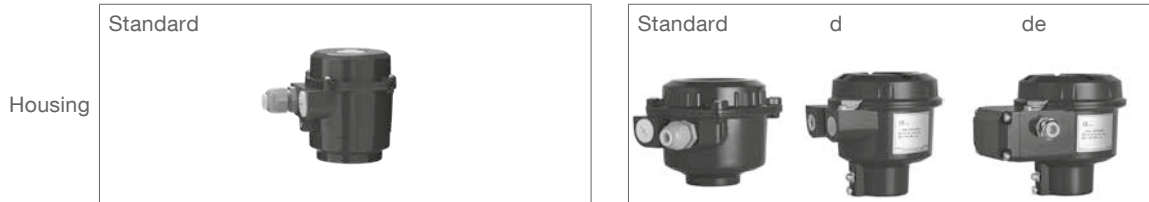
We assume no liability for typing errors.

Different variations to those specified are possible.
Please contact our technical consultants.

Overview

- Level limit detection in bulk goods/ solids
- Compact unit
- Die-casted housing aluminium
- Wide range of applications, no maintenance
- Full, demand, empty detector
- ATEX, IEC-Ex, FM, CSA, TR-CU, INMETRO
- 1935/2004/EC
- 2011/65/EU
- Gas Ex and Dust Ex approvals
- Food grade materials
- RoHS conform

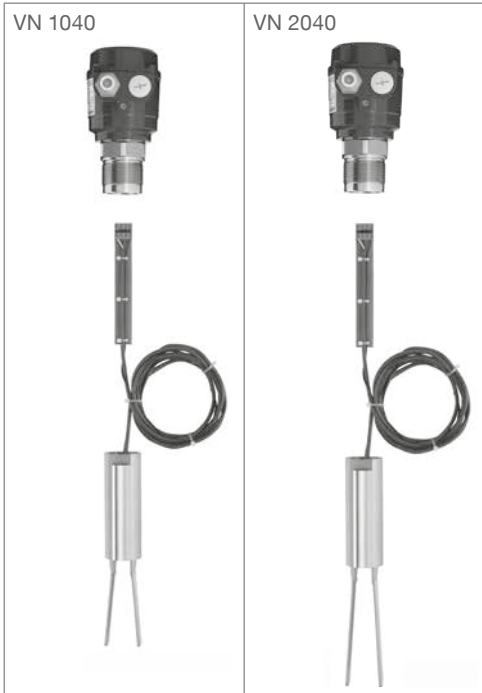
Series	VN 1000	VN 2000	VN 5000	VN 6000
	ATEX/ IEC-Ex/ TR-CU/ INMETRO	ATEX/ IEC-Ex/ TR-CU/ INMETRO	ATEX/ IEC-Ex/ FM/ CSA/ TR-CU/ INMETRO	ATEX/ IEC-Ex/ FM/ CSA/ TR-CU/ INMETRO
	Small housing Short oscillating rods Sensitivity >50 g/l (3 lb/ft ³) For extreme mech. load For mounting in down pipes Advantageous design to avoid bridges Also for interface applications	Small housing Standard oscillating rods Sensitivity >20 g/l (1.2 lb/ft ³) Option >5g/l (0.3 lb/ft ³) Vibrasil® <5 g/l (0.3 lb/ft ³)	Spacious housing Short oscillating rods Sensitivity >50 g/l (3 lb/ft ³) For extreme mech. load For mounting in down pipes Advantageous design to avoid bridges Also for interface applications	Spacious housing Standard oscillating rods Sensitivity >20 g/l (1.2 lb/ft ³) Option >5g/l (0.3 lb/ft ³) Vibrasil® <5 g/l (0.3 lb/ft ³)



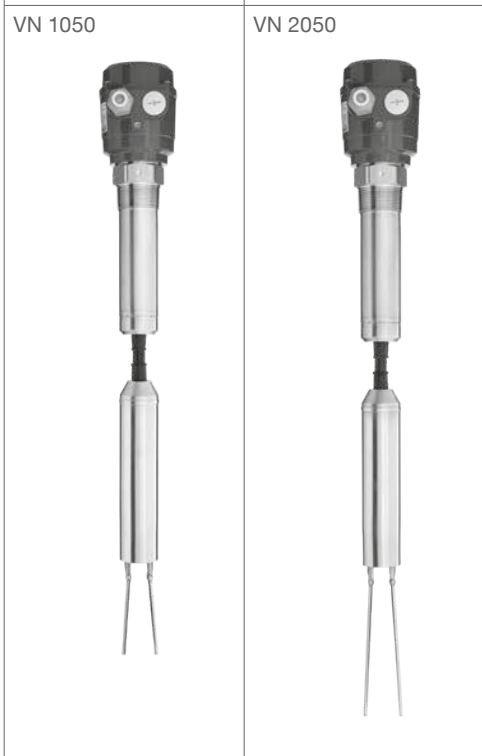
Overview

VN ..040
 Pipe extension
 (screwed)

 Custom made
 pipe for flexible
 lengths



VN ..050
 Cable extension



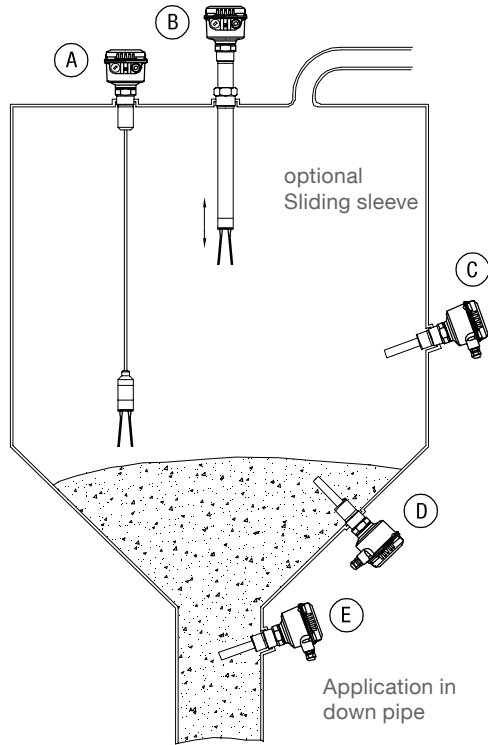
Specifications

Series		VN 1000	VN 2000	VN 5000	VN 6000	
Approvals	CE	•	•	•	•	
	ATEX/ IEC-Ex/ INMETRO:					
	Zone 20 and 20/21	Dust Ignition Proof	•	•	•	•
	Zone 0	Intrinsic Safe	•	•	•	•
	Zone 1	Flameproof/ Increased Safety			•	•
	FM/ CSA:					
	General purp.				•	•
	Cl. II, III Div. 1	Dust Ignition Proof			•	•
	Cl. I Div. 1	Intrinsic Safe			•	•
	Cl. I Div. 1	Explosionproof			•	•
	Zone 0	Intrinsic Safe			•	•
	Zone 1	Flameproof/ Increased Safety			•	•
	TR-CU:					
		Ordinary Locations	•	•	•	•
Zone 20 and 20/21	Dust Ignition Proof	•	•			
Zone 0	Intrinsic Safe	•	•			
Zone 1	Flameproof/ Increased Safety			•	•	
Electronics	Relais SPDT	19 .. 230 V AC 19 .. 55 V DC	•	•	•	•
	Relais DPDT	19 .. 230 V AC 19 .. 36 V/ 55 V DC	•	•	•	•
	PNP	18 .. 50 V DC	•	•	•	•
	2-wire without contact	19 .. 230 V AC/ DC	•	•	•	•
	NAMUR	IEC 60947-5-6 2-wire		•		•
	8/16 mA or 4-20 mA	12.5-30/36 V DC 2-wire	•	•	•	•

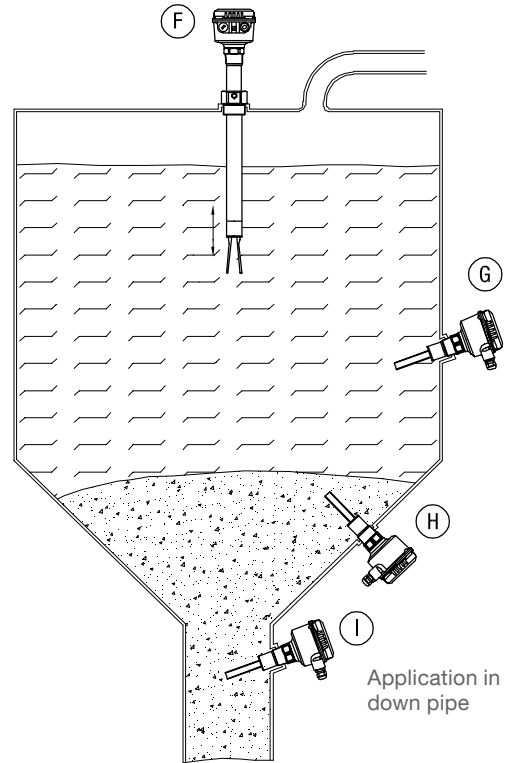
Extensions	VN ..020	Length of extension	165 mm (6.47")	235 mm (9.25")	165 mm (6.47")	235 mm (9.25")
		Ambient temperature	-40 .. +60°C (-40 .. +140°F)			
		Process temperature	-40 .. +150°C (-40 .. +302°F)			
		Process pressure	-1 .. +16 bar (-14.5 .. +232 psi)			
		Process connection material/ Extension	1.4301 (304)/ 1.4541 (321) or 1.4404 (SS316L)/ (food grade)			
	VN ..030	Length of extension	300 .. 4,000 mm (11.8 .. 157")			
		Ambient temperature	-40 .. +60°C (-40 .. +140°F)			
		Process temperature	-40 .. +150°C (-40 .. +302°F)			
		Process pressure	-1 .. +16bar (-14.5 .. +232 psi)			
		Process connection material/ Extension	1.4301 (304)/ 1.4541 (321) or 1.4404 (SS316L)/ (food grade)			
	VN ..040	Length of extension	1,500 mm (59") or 4,000 mm (157")			
		Ambient temperature	-40 .. +60°C (-40 .. +140°F)			
		Process temperature	-40 .. +150°C (-40 .. +302°F)			
		Process pressure	-1 .. +16bar (-14.5 .. +232 psi)			
		Process connection material/ Extension	1.4305 (303)/ 1.4541 (321) or 1.4404 (SS316L)/ (food grade)			
	VN ..050	Length of extension	750 ... 20,000 mm (27.6" .. 787")			
		Ambient temperature	-25 .. +60°C (-13 .. +140°F)			
		Process temperature	-25 .. +80°C (-13 .. +176°F)			
		Process pressure	-1 .. +6 bar (-14.5 .. +87 psi)			
		Process connection material/ Extension	1.4301 (304)/ 1.4541 (321) Cable isolation: PUR (no food grade)			

Applications

Detection of solids



Detection of solids in water



	(A)	(B)	(C)	(D)	(E)	(F)	(G)	(H)	(I)
VN 1020			•	•	•		•	•	•
VN 1030		•	•			•	•		
VN 1040		•	•						
VN 1050	•								
VN 2020			•	•	•				
VN 2030		•	•						
VN 2040		•	•						
VN 2050	•								
VN 5020			•	•	•		•	•	•
VN 5030		•	•			•	•		
VN 5040		•	•						
VN 5050	•								
VN 6020			•	•	•				
VN 6030		•	•						
VN 6040		•	•						
VN 6050	•								

VN ..020 Short extension length

VN 1020



VN 2020



VN 5020



VN 6020



Housings VN 5020/ 6020



Food grade materials

Cable entries (by default)

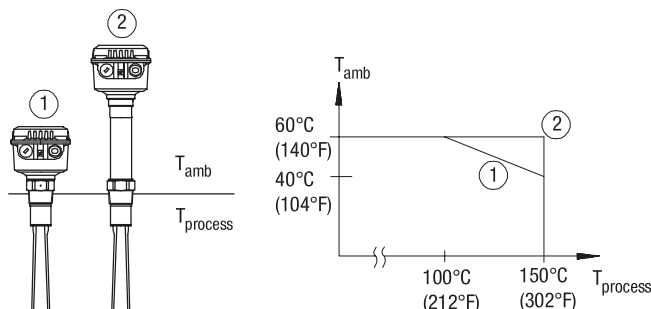
Depending on model selected, the following cable entries are supported (options see pos.23 on page 14):

Version:	Cable entries:
ATEX/IEC-Ex flameproof (pos.2 T,D)	M20 x 1.5 (1x open conduit + 1x Ex-d blind plug)
FM and CSA (pos.2 M,N,P,S,U)	NPT 1/2" tapered ANSI B1.20.1 (1x open conduit + 1x Ex-d blind plug)
All other versions	M20 x 1.5 (1x screwed cable gland + 1x blind plug)

Dimensions see pages 17 - 20

pos.3
 Temperature extended shaft
 applications up to 150°C (302°F)

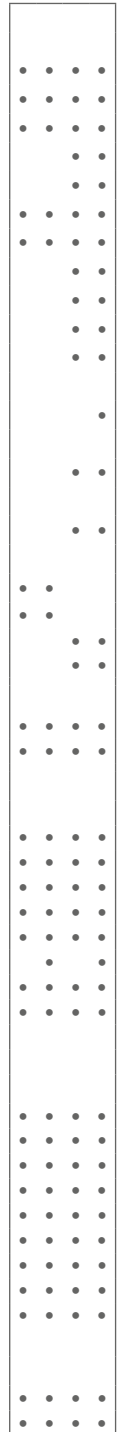
- 1 without
- 2 with



VN ..020 Short extension length

Basic type

- VN 1020
- VN 2020
- VN 5020
- VN 6020



pos.2 Certificate (detailed Ex-markings: see page 20)

		Dust	Gas	Protection method
0	CE/TR-CU	-	-	
W	ATEX	Zone 20 and 20/21	-	Dust Ignition Proof
Y	ATEX	Zone 20 and 20/21	Zone 0 and 0/1	Intrinsic Safe/ Dust Ignition Proof
R	ATEX	Zone 20/21	Zone 1	Flameproof/ Increased Safety/ Dust Ignition Proof
T	ATEX	Zone 20/21	Zone 1	Flameproof/ Dust Ignition Proof
A	IEC-Ex/ INMETRO	Zone 20 and 20/21	-	Dust Ignition Proof
B	IEC-Ex/ INMETRO	Zone 20 and 20/21	Zone 0 and 0/1	Intrinsic Safe/ Dust Ignition Proof
C	IEC-Ex/ INMETRO	Zone 20/21	Zone 1	Flameproof/ Increased Safety/ Dust Ignition Proof
D	IEC-Ex/ INMETRO	Zone 20/21	Zone 1	Flameproof/ Dust Ignition Proof
M	FM/ CSA	-	-	General purpose
N	FM/ CSA	Cl. II, III, Div.1	-	Dust Ignition Proof
	CSA	A 20/21		
P	FM/ CSA	Cl. II, III, Div.1	Cl. I Div.1/ Zone 0	Intrinsic Safe/ Dust Ignition Proof
	CSA	A 20/21		
S	FM/ CSA	Cl. II, III, Div.1	Zone 1	Flameproof/ Increased Safety/ Dust Ignition Proof
	CSA	A 20/21		
U	FM/ CSA	Cl. II, III, Div.1	Cl. I Div.1/ Zone 1	Explosion Proof/ Dust Ignition Proof
	CSA	A 20/21		
E	TR-CU	Zone 20 and 20/21	-	Dust Ignition Proof
V	TR-CU	Zone 20 and 20/21	Zone 0 and 0/1	Intrinsic Safe/ Dust Ignition Proof
K	TR-CU	Zone 20/21	Zone 1	Flameproof/ Increased Safety/ Dust Ignition Proof
L	TR-CU	Zone 20/21	Zone 1	Flameproof/ Dust Ignition Proof

pos.3 Temperature extended shaft

- 1 without (up to $T_{process} = 150^{\circ}C$ (302°F) at $T_{amb} < 40^{\circ}C$ (104°F))
- 2 with (up to $T_{process} = 150^{\circ}C$ (302°F) at $T_{amb} > 40^{\circ}C$ (104°F))

pos.4 Electronic module

- E Relay SPDT 19 .. 230 V AC 19 .. 55 V DC
- L Relay DPDT 19 .. 230 V AC 19 .. 55 V DC
- 19 .. 230 V AC 19 .. 36 V DC
- D PNP 18 .. 50 V DC
- K 2-wire without contact 19 .. 230 V AC/ DC
- M NAMUR IEC 60947-5-6 2-wire
- N 8/16 mA or 4-20 mA 12.5 .. 36 V DC 2-wire
- N 8/16 mA 12.5 .. 36 V DC 2-wire

Available for certificates (pos.2)										
0	W/A/E	Y/B/V	R/C/K	T/D/L	M	N	P	S	U	
•	•	•	•	•	•	•	•	•	•	•
•	(1)		(3)	(3)	•	(1)		(3)	(3)	•
•	(2)		(4)	(4)		(2)		(4)	(4)	•
•	•	•	•	•	•	•	•	•	•	•
•	(1)	•	(3)	(3)						•
•	(2)		(4)	(4)						•

*30 V intrinsic safe

(1) without pos.26 1/2 (3) with pos.3 1, without pos.26 1/2
 (2) with pos.26 1/2 (4) with pos.3 2 and/ or pos.26 1/2

pos.5 Process connection

- A Thread R 1½", conical EN 10226
- B Thread NPT 1½", conical ANSI B1.20.1
- P Triclamp 2" (DN50) ISO 2852
- G Cap nut (only with EHEDG (pos.30), not with pos.2 C,D,R,S,T,U)
- L Flange DN100 PN6, EN 1092-1 (max. 6 bar (87 psi))
- M Flange DN100 PN16, EN 1092-1
- S Flange 2" 150lbs ANSI B16.5
- T Flange 3" 150lbs ANSI B16.5
- U Flange 4" 150lbs ANSI B16.5

pos.8 Material of process connection/ extension "L"

- 1 Stainless steel 1.4301 (304)/ Flange in 1.4541 (321)
 - 2 Stainless steel 1.4404 (316L)
- Vibrating rods polished, Ra ≤ 0.75 µm; Teflon coating on request

Basic type

Further options and accessories: see page 14 - 16

	A					3	1	
Position	1	2	3	4	5	6	7	8

Order code

All positions are available with special design (use code "Z").

VN ..030 Pipe extension

VN 1030



VN 2030



VN 5030



VN 6030



Housings VN 5030/ 6030



Standard

d (flameproof)

de (flameproof/
increased safety)

Food grade materials

Cable entries (by default)

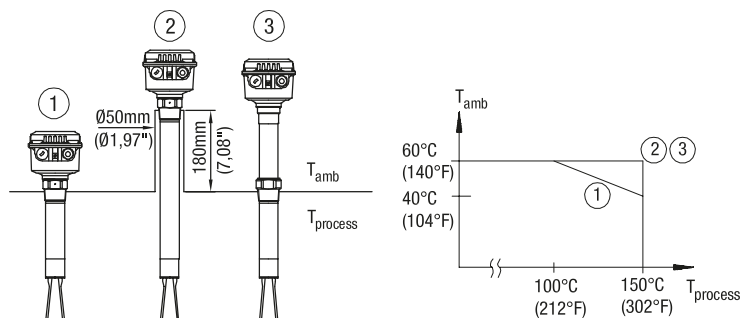
Depending on model selected, the following cable entries are supported (options see pos.23 on page 14):

Version:	Cable entries:
ATEX/IEC-Ex flameproof (pos.2 T,D)	M20 x 1.5 (1x open conduit + 1x Ex-d blind plug)
FM and CSA (pos.2 M,N,P,S,U)	NPT 1/2" tapered ANSI B1.20.1 (1x open conduit + 1x Ex-d blind plug)
All other versions	M20 x 1.5 (1x screwed cable gland + 1x blind plug)

Dimensions see pages 17 - 20

pos.3
 Temperature extended shaft
 applications up to 150°C (302°F)

- 1 without
- 2 without and with extended socket
- 3 with



VN ..030 Pipe extension

Basic type

- VN 1030
- VN 2030
- VN 5030
- VN 6030

pos.2		Certificate (detailed Ex-markings: see page 20)			
		Dust	Gas	Protection method	
• • • • •	0	CE/ TR-CU	-	-	
• • • • •	W	ATEX	Zone 20 and 20/21	-	Dust Ignition Proof
• • • • •	Y	ATEX	Zone 20 and 20/21	Zone 0 and 0/1	Intrinsic Safe/ Dust Ignition Proof
• • • • •	R	ATEX	Zone 20/21	Zone 1	Flameproof/ Increased Safety/ Dust Ignition Proof
• • • • •	T	ATEX	Zone 20/21	Zone 1	Flameproof/ Dust Ignition Proof
• • • • •	A	IEC-Ex/ INMETRO	Zone 20 and 20/21	-	Dust Ignition Proof
• • • • •	B	IEC-Ex/ INMETRO	Zone 20 and 20/21	Zone 0 and 0/1	Intrinsic Safe/ Dust Ignition Proof
• • • • •	C	IEC-Ex/ INMETRO	Zone 20/21	Zone 1	Flameproof/ Increased Safety/ Dust Ignition Proof
• • • • •	D	IEC-Ex/ INMETRO	Zone 20/21	Zone 1	Flameproof/ Dust Ignition Proof
• • • • •	M	FM/ CSA	-	-	General purpose
• • • • •	N	FM/ CSA	Cl. II, III, Div.1	-	Dust Ignition Proof
• • • • •		CSA	A 20/21		
• • • • •	P	FM/ CSA	Cl. II, III, Div.1	Cl. I Div.1/ Zone 0	Intrinsic Safe/ Dust Ignition Proof
• • • • •		CSA	A 20/21		
• • • • •	S	FM/ CSA	Cl. II, III, Div.1	Zone 1	Flameproof/ Increased Safety/ Dust Ignition Proof
• • • • •		CSA	A 20/21		
• • • • •	U	FM/ CSA	Cl. II, III, Div.1	Cl. I Div.1/ Zone 1	Explosion Proof/ Dust Ignition Proof
• • • • •		CSA	A 20/21		
• • • • •	E	TR-CU	Zone 20 and 20/21	-	Dust Ignition Proof
• • • • •	V	TR-CU	Zone 20 and 20/21	Zone 0 and 0/1	Intrinsic Safe/ Dust Ignition Proof
• • • • •	K	TR-CU	Zone 20/21	Zone 1	Flameproof/ Increased Safety/ Dust Ignition Proof
• • • • •	L	TR-CU	Zone 20/21	Zone 1	Flameproof/ Dust Ignition Proof
pos.3 Temperature extended shaft					
• • • • •	1	without (up to T _{process} = 150°C (302°F) at T _{amb} < 40°C (104°F) or with extended socket)			
• • • • •	2	with (up to T _{process} = 150°C (302°F) at T _{amb} > 40°C (104°F)) without extended socket)			
pos.4 Electronic module					
• • • • •	E	Relay SPDT	19 .. 230 V AC	19 .. 55 V DC
• • • • •	L	Relay DPDT	19 .. 230 V AC	19 .. 55 V DC
• • • • •			19 .. 230 V AC	19 .. 36 V DC
• • • • •	D	PNP	18 .. 50 V DC
• • • • •	K	2-wire without contact	19 .. 230 V AC/ DC
• • • • •	M	NAMUR IEC 60947-5-6	2-wire
• • • • •	N	8/16 mA or 4-20 mA	12.5 .. 36 V* DC 2-wire
• • • • •	N	8/16 mA	12.5 .. 36 V DC 2-wire
*30V intrinsic safe					
pos.5 Process connection					
• • • • •	A	Thread R 1½", conical EN 10226			
• • • • •	B	Thread NPT 1½", conical ANSI B1.20.1			
• • • • •	P	Triclamp 2" (DN50) ISO 2852			
• • • • •	G	Cap nut (only with EHEDG (pos.30), not with pos.2 C,D,R,S,T,U)			
• • • • •	L	Flange DN100 PN6, EN 1092-1 (max. 6 bar (87 psi))			
• • • • •	M	Flange DN100 PN16, EN 1092-1			
• • • • •	S	Flange 2" 150lbs ANSI B16.5			
• • • • •	T	Flange 3" 150lbs ANSI B16.5			
• • • • •	U	Flange 4" 150lbs ANSI B16.5			
pos.7 Length of extension "L"					
• • • • •	Z	(starting from 0 mm) per 100 mm (3.94") or part thereof; min. 300 mm (11.8"), max. 4,000 mm (157")			
pos.8 Material of process connection/ extension "L"					
• • • • •	1	Stainless steel 1.4301 (304)/ Flange in 1.4541 (321)			
• • • • •	2	Stainless steel 1.4404 (316L)			
Vibrating rods polished, Ra ≤0.75 µm; Teflon coating on request					

Available for certificates (pos.2)										
0	W/A/E	Y/B/V	R/C/K	T/D/L	M	N	P	S	U	
•	•	•	•	•	•	•	•	•	•	•
•	(1)	•	•	•	•	(1)	•	•	•	•
•	(2)	•	•	•	•	(2)	•	•	•	•
•	•	•	•	•	•	•	•	•	•	•
•	•	•	•	•	•	•	•	•	•	•
•	(1)	•	•	•	•	•	•	•	•	•
•	(2)	•	•	•	•	•	•	•	•	•

(1) without pos.26 1/2
 (2) with pos.26 1/2

Basic type

	B					3	Z			
Position	1	2	3	4	5	6	7	8		

- **L =** **mm**

Order code

All positions are available with special design (use code "Z").

VN ..040 Pipe extension (screwed)

VN 1040



VN 2040



VN 5040



VN 6040



Housings VN 5040/ 6040



Food grade materials

Cable entries (by default)

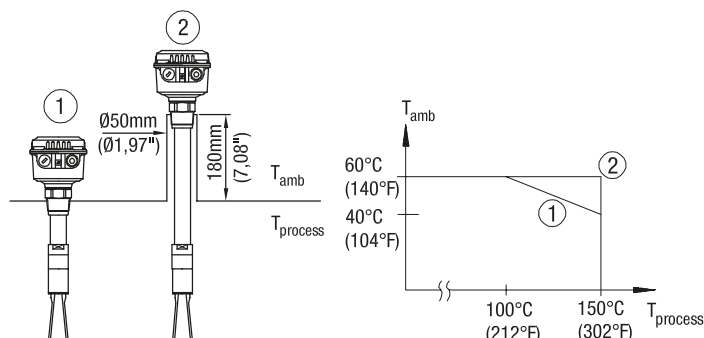
Depending on model selected, the following cable entries are supported (options see pos.23 on page 14):

Version:	Cable entries:
ATEX/ IEC-Ex flameproof (pos.2 T,D)	M20 x 1.5 (1x open conduit + 1x Ex-d blind plug)
FM and CSA (pos.2 M,N,P,S,U)	NPT 1/2" tapered ANSI B1.20.1 (1x open conduit + 1x Ex-d blind plug)
All other versions	M20 x 1.5 (1x screwed cable gland + 1x blind plug)

Dimensions see pages 17 - 20

applications up to 150°C
 (302°F)

- 1 without extended socket
- 2 with extended socket



VN ..040 Pipe extension (screwed)

Basic type

- VN 1040
- VN 2040
- VN 5040
- VN 6040

pos.2 **Certificate** (detailed Ex-markings: see page 20)

	Dust	Gas	Protection method
0	CE/ TR-CU	-	-
W	ATEX Zone 20 and 20/21	-	Dust Ignition Proof
Y	ATEX Zone 20 and 20/21	Zone 0 and 0/1	Intrinsic Safe/ Dust Ignition Proof
R	ATEX Zone 20/21	Zone 1	Flameproof/ Increased Safety/ Dust Ignition Proof
T	ATEX Zone 20/21	Zone 1	Flameproof/ Dust Ignition Proof
A	IEC-Ex/ INMETRO Zone 20 and 20/21	-	Dust Ignition Proof
B	IEC-Ex/ INMETRO Zone 20 and 20/21	Zone 0 and 0/1	Intrinsic Safe/ Dust Ignition Proof
C	IEC-Ex/ INMETRO Zone 20/21	Zone 1	Flameproof/ Increased Safety/ Dust Ignition Proof
D	IEC-Ex/ INMETRO Zone 20/21	Zone 1	Flameproof/ Dust Ignition Proof
M	FM/ CSA -	-	General purpose
N	FM/ CSA Cl. II, III, Div.1	-	Dust Ignition Proof
	CSA A 20/21		
P	FM/ CSA Cl. II, III, Div.1	Cl. I Div.1/ Zone 0	Intrinsic Safe/ Dust Ignition Proof
	CSA A 20/21		
S	FM/ CSA Cl. II, III, Div.1	Zone 1	Flameproof/ Increased Safety/ Dust Ignition Proof
	CSA A 20/21		
U	FM/ CSA Cl. II, III, Div.1	Cl. I Div.1/ Zone 1	Explosion Proof/ Dust Ignition Proof
	CSA A 20/21		
E	TR-CU Zone 20 and 20/21	-	Dust Ignition Proof
V	TR-CU Zone 20 and 20/21	Zone 0 and 0/1	Intrinsic Safe/ Dust Ignition Proof
K	TR-CU Zone 20/21	Zone 1	Flameproof/ Increased Safety/ Dust Ignition Proof
L	TR-CU Zone 20/21	Zone 1	Flameproof/ Dust Ignition Proof

pos.4 **Electronic module**

		Available for certificates (pos.2)									
		0	W/A/E	Y/B/V	R/C/K	T/D/L	M	N	P	S	U
E	Relay SPDT 19 .. 230 V AC 19 .. 55 V DC	•	•		•	•	•	•	•	•	•
L	Relay DPDT 19 .. 230 V AC 19 .. 55 V DC	•	•					•			
	19 .. 230 V AC 19 .. 36 V DC				•	•			•	•	
D	PNP 18 .. 50 V DC	•	•		•	•		•		•	•
K	2-wire without contact 19 .. 230 V AC/ DC	•	•		•	•		•	•	•	•
M	NAMUR IEC 60947-5-6 2-wire			•					•		
N	8/16 mA or 4-20 mA 12.5 .. 36 V* DC 2-wire	•	•	•							
N	8/16 mA 12.5 .. 36 V DC 2-wire				•	•					

*30 V intrinsic safe

- pos.5 **Process connection**
- A Thread R 1½", conical EN 10226
 - B Thread NPT 1½", conical ANSI B1.20.1
 - P Triclamp 2" (DN50) ISO 2852
 - L Flange DN100 PN6, EN 1092-1 (max. 6 bar (87 psi))
 - M Flange DN100 PN16, EN 1092-1
 - S Flange 2" 150lbs ANSI B16.5
 - T Flange 3" 150lbs ANSI B16.5
 - U Flange 4" 150lbs ANSI B16.5

- pos.7 **Length of extension "L"**
- L 1.500 mm (59") (cuttable cable length)
 - M 4.000 mm (157") (cuttable cable length)

- pos.8 **Material of process connection/ extension "L"**
- 1 Stainless steel 1.4305 (303)/ Flange in 1.4541 (321)
 - 2 Stainless steel 1.4404 (316L)
- Vibrating rods polished, Ra ≤0.75 µm; Teflon coating on request

Further options and accessories: see page 14 - 16

Basic type

	C	1	3						
Position	1	2	3	4	5	6	7	8	

← **Order code**

All positions are available with special design (use code "Z").

VN ..050 Cable extension

VN 1050



VN 2050



VN 5050



VN 6050



Housings VN 5050/ 6050



Standard



d (flameproof)



de (flameproof/
increased safety)

Cable entries (by default)

Depending on model selected, the following cable entries are supported (options see pos.23 on page 14):

Version:	Cable entries:
ATEX/ IEC-Ex flameproof (pos.2 T,D)	M20 x 1.5 (1x open conduit + 1x Ex-d blind plug)
FM and CSA (pos.2 M,N,P,S,U)	NPT ½" tapered ANSI B1.20.1 (1x open conduit + 1x Ex-d blind plug)
All other versions	M20 x 1.5 (1x screwed cable gland + 1x blind plug)

Dimensions see pages 17 - 20

VN ..050 Cable extension

Basic type

- VN 1050
- VN 2050
- VN 5050
- VN 6050

pos.2		Certificate (detailed Ex-markings: see page 20)			
		Dust	Gas	Protection method	
•••••	0	CE/ TR-CU	-	-	
•••••	W	ATEX	Zone 20 and 20/21	-	Dust Ignition Proof
•••••	Y	ATEX	Zone 20 and 20/21	Zone 0 and 0/1	Intrinsic Safe/ Dust Ignition Proof
•••••	R	ATEX	Zone 20/21	Zone 1	Flameproof/ Increased Safety/ Dust Ignition Proof
•••••	T	ATEX	Zone 20/21	Zone 1	Flameproof/ Dust Ignition Proof
•••••	A	IEC-Ex/ INMETRO	Zone 20 and 20/21	-	Dust Ignition Proof
•••••	B	IEC-Ex/ INMETRO	Zone 20 and 20/21	Zone 0 and 0/1	Intrinsic Safe/ Dust Ignition Proof
•••••	C	IEC-Ex/ INMETRO	Zone 20/21	Zone 1	Flameproof/ Increased Safety/ Dust Ignition Proof
•••••	D	IEC-Ex/ INMETRO	Zone 20/21	Zone 1	Flameproof/ Dust Ignition Proof
•••••	M	FM/ CSA	-	-	General purpose
•••••	N	FM/ CSA	Cl. II, III, Div.1	-	Dust Ignition Proof
•••••		CSA	A 20/21		
•••••	P	FM/ CSA	Cl. II, III, Div.1	Cl. I Div.1/ Zone 0	Intrinsic Safe/ Dust Ignition Proof
•••••		CSA	A 20/21		
•••••	S	FM/ CSA	Cl. II, III, Div.1	Zone 1	Flameproof/ Increased Safety/ Dust Ignition Proof
•••••		CSA	A 20/21		
•••••	U	FM/ CSA	Cl. II, III, Div.1	Cl. I Div.1/ Zone 1	Explosion Proof/ Dust Ignition Proof
•••••		CSA	A 20/21		
•••••	E	TR-CU	Zone 20 and 20/21	-	Dust Ignition Proof
•••••	V	TR-CU	Zone 20 and 20/21	Zone 0 and 0/1	Intrinsic Safe/ Dust Ignition Proof
•••••	K	TR-CU	Zone 20/21	Zone 1	Flameproof/ Increased Safety/ Dust Ignition Proof
•••••	L	TR-CU	Zone 20/21	Zone 1	Flameproof/ Dust Ignition Proof

pos.4		Electronic module		Available for certificates (pos.2)									
				0	W/A/E	Y/B/V	R/C/K	T/D/L	M	N	P	S	U
•••••	E	Relay SPDT	19 .. 230 V AC 19 .. 55 V DC	•	•	•	•	•	•	•	•	•	•
•••••	L	Relay DPDT	19 .. 230 V AC 19 .. 55 V DC	•	•	•	•	•	•	•	•	•	•
•••••			19 .. 230 V AC 19 .. 36 V DC										
•••••	D	PNP	18 .. 50 V DC	•	•	•	•	•	•	•	•	•	•
•••••	K	2-wire without contact	19 .. 230 V AC/ DC	•	•	•	•	•	•	•	•	•	•
•••••	M	NAMUR IEC 60947-5-6	2-wire			•							
•••••	N	8/16 mA or 4-20 mA	12.5 .. 36 V* DC 2-wire	•		•							
•••••	N	8/16 mA	12.5 .. 36 V DC 2-wire			•		•					

*30 V intrinsic safe

pos.5		Process connection	
•••••	A	Thread R 1½", conical	EN 10226
•••••	B	Thread NPT 1½", conical	ANSI B1.20.1
•••••	L	Flange DN100 PN6, EN 1092-1	(max. 6 bar (87 psi))
•••••	M	Flange DN100 PN16, EN 1092-1	
•••••	S	Flange 2" 150lbs ANSI B16.5	
•••••	T	Flange 3" 150lbs ANSI B16.5	
•••••	U	Flange 4" 150lbs ANSI B16.5	

pos.7		Length of extension "L"	
•••••	Z	((starting from 0 mm) per 100 mm (3.94") or part thereof; min./ max. see below	

pos.8		Material of process connection/ extension "L"	
•••••	1	Stainless steel 1.4301 (304)/ Flange in 1.4541 (321)	
•••••	2	Stainless steel 1.4404 (316L)	on request

Vibrating rods polished, Ra ≤0.75 µm; Teflon coating on request

Further options and accessories: see page 14 - 16

Extension "L":
 min. 750 mm (29,6")
 max. 7,000 mm (276") for VN 1050/ 5050
 max. 20,000 mm (787") for VN 2050/ 6050
 max. 10,000 mm (394") for VN 2050/ 6050 with pos.4 M

Basic type

	D		1		3	Z	1
--	---	--	---	--	---	---	---

Position 1 2 3 4 5 6 7 8

- L = mm

Order code

All positions are available with special design (use code "Z").

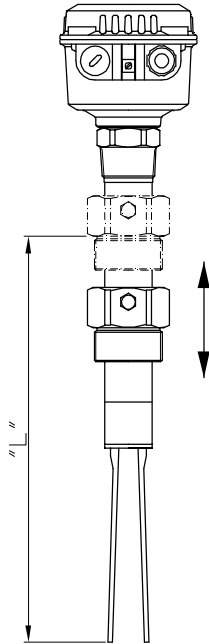
Options

VN 1020	VN 2020	VN 5020	VN 6020	VN 1030	VN 2030	VN 5030	VN 6030	VN 1040	VN 2040	VN 5040	VN 6040	VN 1050	VN 2050	VN 5050	VN 6050																																																																																														
•	•	•	•	•	•	•	•	•	•	•	•	•	•	•	•	•	pos.11 x	Guarantee extension to 5 years	•																																																																																										
•	•	1	1	•	•	1	1	•	•	1	1	•	•	1	1	•	pos.21	Weather protection cover	•																																																																																										
																		(for Ex only approved for Zone 2 or 22 or Div. 2)																																																																																											
																		Mounting set for flange mounting																																																																																											
																		<table border="1"><thead><tr><th rowspan="2">process connection flange</th><th rowspan="2">for counter flange with</th><th colspan="4">consists of</th></tr><tr><th>screws*</th><th>nuts*</th><th>washers*</th><th>sealing**</th></tr></thead><tbody><tr><td>L</td><td>hole ø18</td><td>4x M16x60</td><td>4x M16</td><td>4 pcs</td><td>1 piece</td><td></td><td></td><td></td><td></td><td></td><td></td><td></td><td></td><td></td><td></td><td></td><td></td><td></td><td></td></tr><tr><td>L</td><td>thread M16</td><td>4x M16x40</td><td></td><td>4 pcs</td><td>1 piece</td><td></td><td></td><td></td><td></td><td></td><td></td><td></td><td></td><td></td><td></td><td></td><td></td><td></td><td></td></tr><tr><td>M</td><td>hole ø18</td><td>8x M16x60</td><td>8x M16</td><td>8 pcs</td><td>1 piece</td><td></td><td></td><td></td><td></td><td></td><td></td><td></td><td></td><td></td><td></td><td></td><td></td><td></td><td></td></tr><tr><td>M</td><td>thread M16</td><td>8x M16x40</td><td></td><td>8 pcs</td><td>1 piece</td><td></td><td></td><td></td><td></td><td></td><td></td><td></td><td></td><td></td><td></td><td></td><td></td><td></td><td></td></tr></tbody></table>	process connection flange	for counter flange with	consists of				screws*	nuts*	washers*	sealing**	L	hole ø18	4x M16x60	4x M16	4 pcs	1 piece															L	thread M16	4x M16x40		4 pcs	1 piece															M	hole ø18	8x M16x60	8x M16	8 pcs	1 piece															M	thread M16	8x M16x40		8 pcs	1 piece															
process connection flange	for counter flange with	consists of																																																																																																											
		screws*	nuts*	washers*	sealing**																																																																																																								
L	hole ø18	4x M16x60	4x M16	4 pcs	1 piece																																																																																																								
L	thread M16	4x M16x40		4 pcs	1 piece																																																																																																								
M	hole ø18	8x M16x60	8x M16	8 pcs	1 piece																																																																																																								
M	thread M16	8x M16x40		8 pcs	1 piece																																																																																																								
																			<small>* material stainless steel A2 **max. 250°C (482°F), material not food grade</small>																																																																																										
																		Cable entry																																																																																											
																		Selection of the following options only necessary, if a deviation from the default cable gland/ conduit is required:																																																																																											
•	•	2	2	•	•	2	2	•	•	2	2	•	•	2	2	•	pos.23 x	M20 x 1.5 2x screwed cable gland	•																																																																																										
		3	3			3	3			3	3			3	3		pos.23 y	M20 x 1.5 1x screwed cable gland +1x blind plug	•																																																																																										
•	•	4	4	•	•	4	4	•	•	4	4	•	•	4	4	•	pos.23 a	NPT 1/2" tapered ANSI B1.20.1 (1x conduit + 1x Ex-d blind plug)	•																																																																																										
•	•	•	•	•	•	•	•	•	•	•	•	•	•	•	•	•	pos.23 b	NPT 3/4" tapered ANSI B1.20.1 (1x conduit + 1x Ex-d blind plug)on req.																																																																																											
																		Sliding sleeve (max. 16 bar (232 psi), max. 150°C (302°F))																																																																																											
																		process connection as follows or flange as chosen; with Triclamp on request																																																																																											
																		Not for Ex applications Zone 0/1 (Cat. 1/2) with separation wall																																																																																											
				•	•	•	•										pos.25 w	G2" ISO 228 material 1.4301 (304)	•																																																																																										
				•	•	•	•										pos.25 x	G2" ISO 228 material 1.4404 (316L)	•																																																																																										
				•	•	•	•										pos.25 u	NPT 2" ANSI B1.20.1 material 1.4301 (304)	•																																																																																										
				•	•	•	•										pos.25 v	NPT 2" ANSI B1.20.1 material 1.4404 (316L)	•																																																																																										
				5	5	5	5										pos.25 t	Flange 1.4301/ 1.4541 (304/321)	•																																																																																										
				5	5	5	5										pos.25 s	Flange 1.4404 (316L)	•																																																																																										
																		Special versions																																																																																											
•	•			•	•			•	•			•	•				pos.26 x	Enhanced sensitivity (>5 g/l (0.3 lb/ft³))	•																																																																																										
6	6			6	6			6	6			6	6				pos.26 a	Vibrasil 70 (sensitivity <5 g/l (0.3 lb/ft³))	•																																																																																										
6	6			6	6			6	6			6	6				pos.26 b	Vibrasil 90 (sensitivity <5g/l (0.3 lb/ft³))	•																																																																																										
6	6			6	6			6	6								pos.26 c	Adjustable sensitivity for interface applications (only with CE)	•																																																																																										
•	•	7	7	•	•	7	7										pos.26.1	Separate housing cable length 1.5 m (59")	•																																																																																										
•	•	7	7	•	•	7	7										pos.26.2	Separate housing cable length 4.0 m (157")	•																																																																																										
																		Signal lamp																																																																																											
8	8	8	8	8	8	8	8	8	8	8	8	8	8	8	8	8	pos.27 a	Bulb, mounted in cable entry M20 x 1.5, 2 W green	•																																																																																										
8	8	8	8	8	8	8	8	8	8	8	8	8	8	8	8	8	pos.27 c	Bulb, mounted in cable entry M20 x 1.5, 2 W red	•																																																																																										
9	9	9	9	9	9	9	9	9	9	9	9	9	9	9	9	9	pos.27 b	LED (glass window in lid)	•																																																																																										
																		Plug																																																																																											
10	10	10	10	10	10	10	10	10	10	10	10	10	10	10	10	10	pos.29	Valve connector (incl. mating plug) 4-pole (incl. PE) max. 230 V	•																																																																																										
																		EHEDG approval																																																																																											
11	11	11	11	11	11	11	11										pos.30 a	Without flush welding socket	•																																																																																										
11	11	11	11	11	11	11	11										pos.30 b	Process connection flush welding socket ø80 made of aluminium	•																																																																																										
11	11	11	11	11	11	11	11										pos.30 c	Process connection flush welding socket ø80 made of 1.4301 (304)	•																																																																																										
11	11	11	11	11	11	11	11										pos.30 d	Process connection flush welding socket ø80 made of 1.4404 (316L)	•																																																																																										

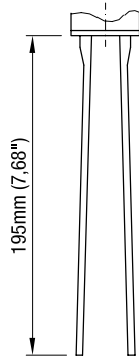
- 1 Available for all versions except explosionproof/ flameproof and increased safety versions (pos.2 C,D,K,L,R,T,S,U).
- 2 Available for all versions except flameproof version (pos.2 D,L,T,U).
- 3 Available for FM/ CSA versions (pos.2 M,N,P,S) except flameproof version (pos.2 U).
- 4 Available for CE, ATEX, IEC-Ex, INMETRO, TR-CU (pos.2 O,W,Y,R,T,A,B,C,D,E,V,K,L).
- 5 Flange and material as selected in pos.5 and pos.8. For FM/ CSA on request.
- 6 Available only with electronic module "Relais SPDT" (pos.4 E), Vibrasil 70 only with flange DN100/4".
- 7 Available for all versions. Electronic module "8/16 mA" and "8/16 mA or 4-20 mA" (pos.4 N) not for FM/ CSA.
- 8 Available for CE (pos.2 O), not in combination with weather protection cover (pos.21) and cable entries pos.23 x,a,b. For electronic module Relais SPDT and DPDT (pos.4 E,L) three bulbs (24 V, 115 V and 230 V) will be delivered. For PNP (pos.4 D) a 24 V bulb will be delivered. For other electronics on request.
- 9 Available for all versions except explosionproof/ flameproof version (pos.2 C,D,K,L,R,T,S,U), not with weather protection cover (pos.21).
- 10 Available only for CE (pos.2 O).
- 11 Available only for cap nut (pos.5 G). Not with pos.22, 25, 26a. With pos.30 a the flush welding socket must be manufactured on site.

Options

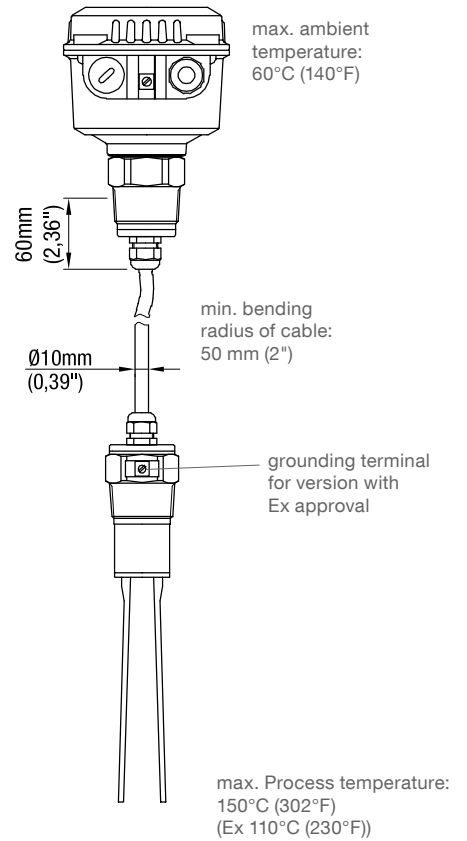
pos.25
Sliding sleeve



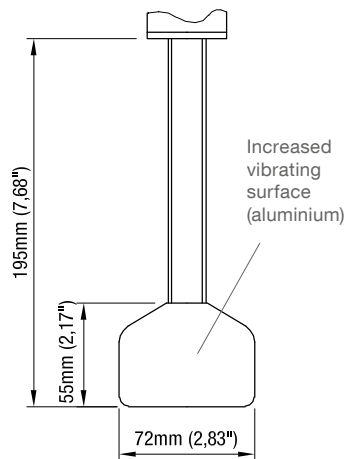
pos.26 x pos.26 b
Enhanced Vibrasil® 90
sensitivity



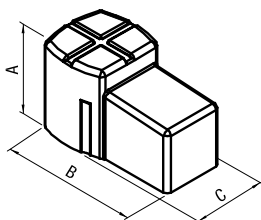
pos.26 1/2
Separate housing



pos.26 a
Vibrasil® 70

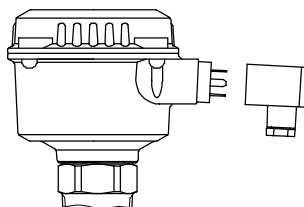


pos.21
Weather protection cover



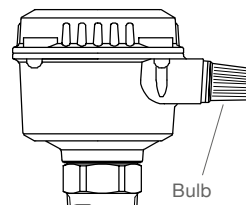
	VN 10..0 VN 20..0	VN 50..0 VN 60..0
A	100 mm (3.94")	130 mm (5.12")
B	165 mm (6.5")	200 mm (7.87")
C	88 mm (3.46")	125 mm (4.92")

pos.29
Valve connector

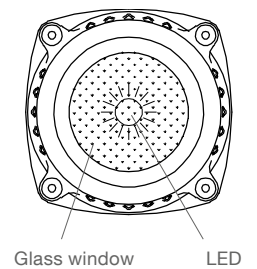


Signal lamp

pos.27 a,c
Bulb, mounted in cable entry M20 x 1.5

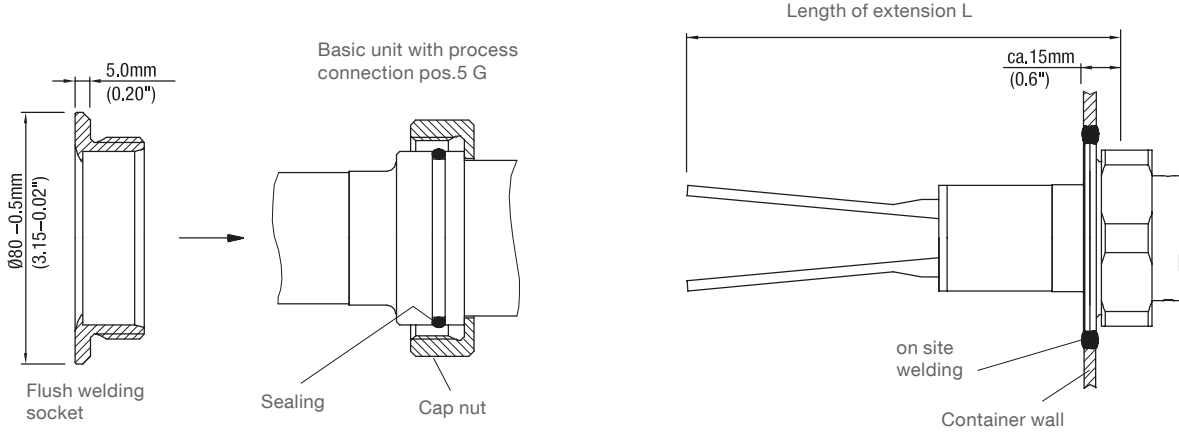


pos.27 b
LED (glass window in lid)



Options / Accessories

pos.30
 EHEDG-approval



NAMUR Isolating Switching Amplifier Protection method [Ex ia] IIC (for Electronic module pos.4 M)



Terminal housing. Switchable signal output logic. Each channel has one independent output.

Channels	Signal output	Monitoring*	Supply	Manufacturer/Type	Price
				Turck	
1	Relay (2x SPST)	x	20 - 125 V DC, 20 - 250 V AC	IM1-12EX-R	•
	2 transistor outputs (short-circuit proof, floating)	x		IM1-12EX-T	•
2	Relay (2x SPST)	x	20 - 125 V DC, 20 - 250 V AC	IM1-22EX-R	•
	2 transistor outputs (short-circuit proof, floating)	x		IM1-22EX-T	•
4	Relais (4x SPST)	x	20 - 125 V DC, 20 - 250 V AC	IM1-451EX-R	•
	4 transistor outputs (short-circuit proof, floating)	x		IM1-451EX-T	•

* Input circuit monitoring for wire-break, partial for short-circuit. Partial additional monitoring signal output.

Other types and manufacturers on request.

8/16 mA Limit Value Monitor (for Electronic module pos.4 N)



Limit Value Monitor Type IM43-13-R •

Input: 1 channel 4-20 mA

Output: 3 Limit Value Relays for monitoring of 3 limit values of a current signal.

Terminal housing. Supply: 20 - 125 V DC, 20 - 250 V AC. Manufacturer: Turck.

Use in Hazardous Locations only with additional connected Isolating Transducer IM33.

Isolating Transducer Type IM33-11Ex-Hi/ 24 V DC (1 channel) •

Isolating Transducer Type IM33-11Ex-Hi/ 24 V DC (2 channels) •

Protection method [Ex ia] IIC.

Terminal housing.

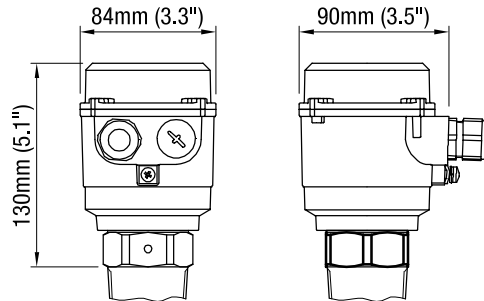
Input/ output: 0/4-20 mA (galvanic isolated). Supply: 19 - 29 V DC.

Dimensions

Housing versions

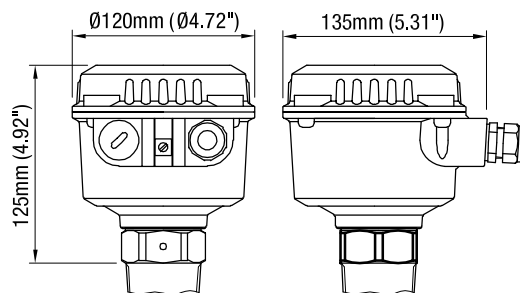
Series VN 1000/ 2000

Standard



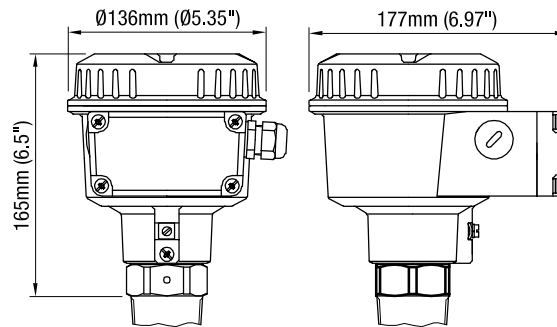
Series VN 5000/ 6000

Standard



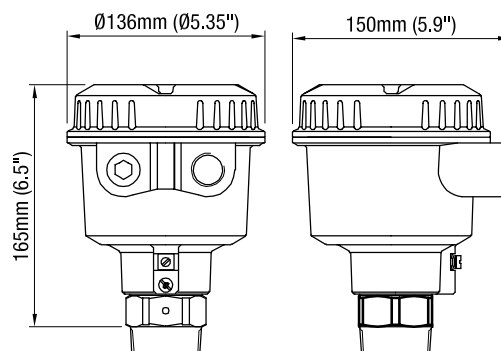
de

Explosionproof with
increased safety
terminal box



d

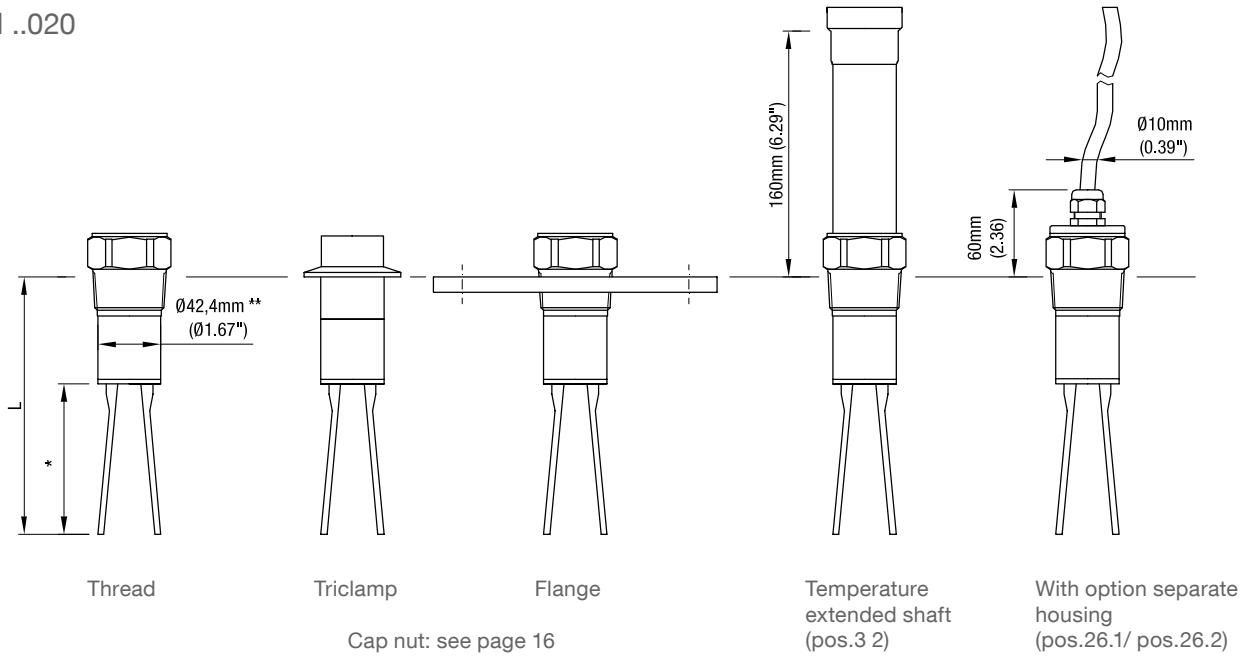
Flameproof/
explosionproof



Dimensions

Extensions

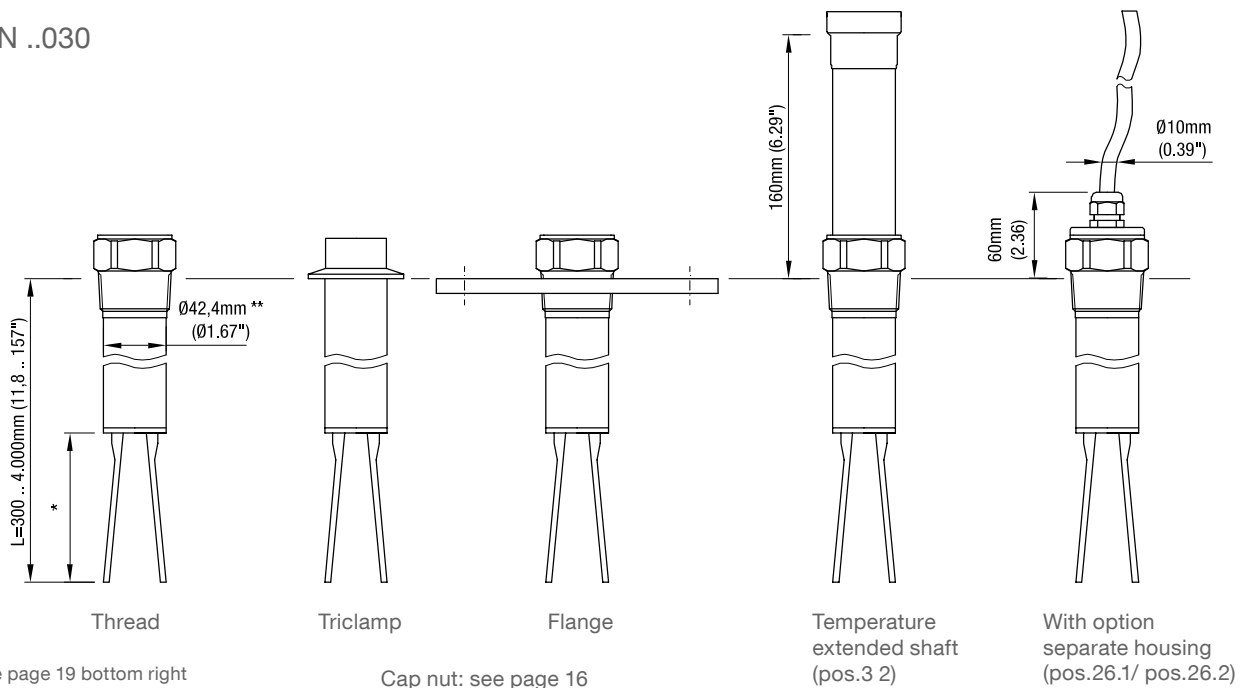
VN ..020



	L	
	without option	with option: Enhanced sensitivity (pos.26 x) Vibrasil® 70 (pos.26 a) Vibrasil® 90 (pos.26 b)
VN 1020 VN 5020	165 mm (6.5")	
VN 2020 VN 6020	235 mm (9.25")	260 mm (10.24")

* see page 19 bottom right
 ** welding seam max. $\varnothing 43.8$ mm (1.72")

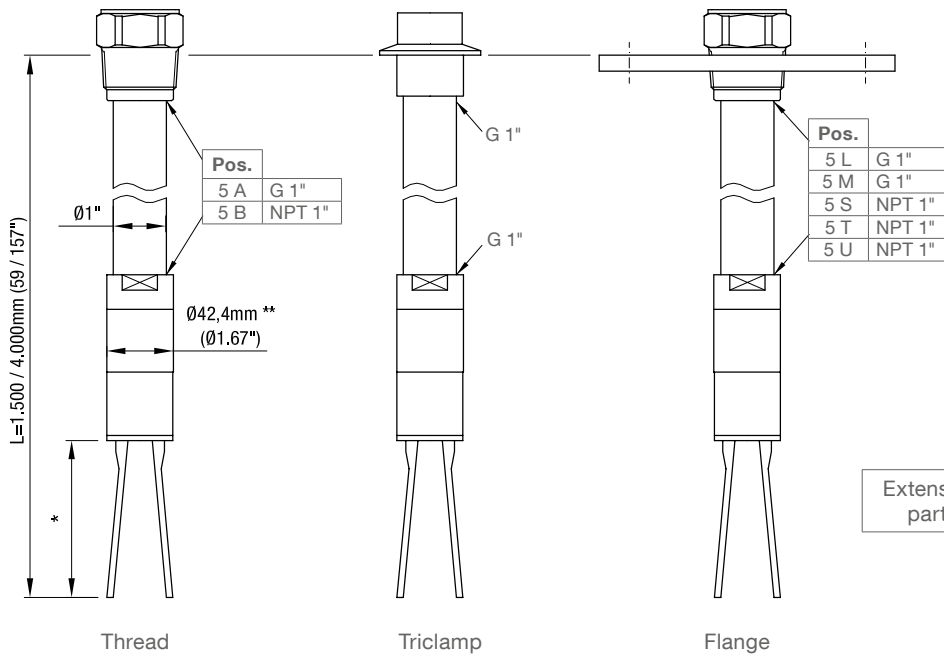
VN ..030



* see page 19 bottom right
 ** welding seam max. $\varnothing 43.8$ mm (1.72")

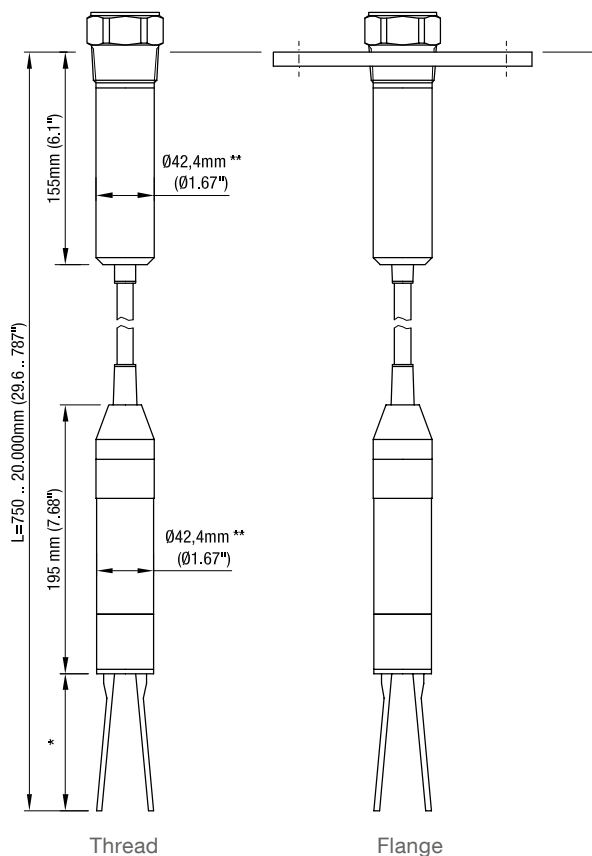
Dimensions

VN ..040



* see below right
 ** welding seam max. \varnothing 43.8 mm (1.72")

VN ..050

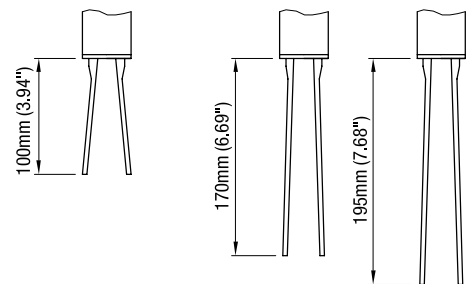


* see below right
 ** welding seam max. \varnothing 43.8 mm (1.72")

* Length of oscillating rods

VN 10..0
 VN 50..0

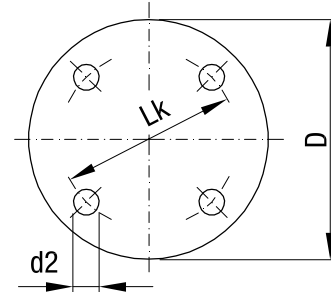
VN 20..0
 VN 60..0



Dimensions

Flanges

Code	type	number of holes	d2	Lk	D	T (thickness)
L	Flange DN100 PN6	4	18 mm (0.71")	170 mm (6.69")	210 mm (8.27")	16 mm (0.63")
M	Flange DN100 PN16	8	18 mm (0.71")	180 mm (7.09")	220 mm (8.66")	20 mm (0.79")
S	Flange 2" 150lbs	4	19.1 mm (0.75")	120.7 mm (4.75")	152.4 mm (6.01")	19.1 mm (0.75")
T	Flange 3" 150lbs	4	19.1 mm (0.75")	152.4 mm (6.01")	190.5 mm (7.5")	23.9 mm (0.94")
U	Flange 4" 150lbs	8	19.1mm (0.75")	190.5mm (7.5")	228.6mm (9")	23.9mm (0.94")



Detailed Ex-markings

pos.2

	Certificate	Housing
0	CE	Standard
W	ATEX II 1D Ex t IIIC T! Da IP6X and 1/2D Ex t IIIC T! Da/Db IP6X	Standard
Y	ATEX II 1G Ex ia IIC T! Ga and 1/2G Ex ia IIC T! Ga/Gb and ATEX II 1D Ex t IIIC T! Da IP6X and 1/2D Ex t IIIC T! Da/Db IP6X	Standard
R	ATEX II 2G Ex de [ia]* IIC T! Gb and 1/2D Ex t IIIC T! Da/Db IP6X	de
T	ATEX II 2G Ex d [ia]* IIC T! Gb and 1/2D Ex t IIIC T! Da/Db IP6X	d
A	IEC-Ex t IIIC T! Da IP6X and t IIIC T! Da/Db IP6X	Standard
B	IEC-Ex ia IIC T! Ga and ia IIC T! Ga/Gb IEC-Ex t IIIC T! Da IP6X and t IIIC T! Da/Db IP6X	Standard
C	IEC-Ex de [ia]* IIC T! Gb and t IIIC T! Da/Db IP6X	de
D	IEC-Ex d [ia]* IIC T! Gb and t IIIC T! Da/Db IP6X	d
M	FM/ CSA general purpose	Standard
N	FM/ CSA DIP Cl. II, III Div. 1 Gr. E,F,G CSA Ex DIP A20/21	Standard
P	FM/ CSA IS Cl. I, II, III Div. 1 Gr. A-G FM Cl. I Zone 0 and 0/1 AEx ia IIC CSA Cl. I Zone 0 and 0/1 Ex ia IIC and CSA Ex DIP A20 and A20/21	Standard
S	FM Cl. I Zone 1 AEx de [ia]* IIC and FM/ CSA Cl. II, III Div. 1 Gr. E,F,G CSA Cl. I Zone 1 Ex de [ia]* IIC and CSA Ex DIP A20/21	de
U	FM XP-IS Cl. I, II, III Div. 1 Gr. B-G* and FM Cl. I Zone 1 AEx d [ia] IIC* CSA XP-IS Cl. I, II, III Div. 1 Gr. B-G* CSA Cl. I Zone 1 Ex d [ia]* IIC and CSA Ex DIP A20/21	d
E	TR-CU Ex ta IIIC T! Da X and Ex ta/tb IIIC T! Da/Db X	Standard
V	TR-CU Ex ia IIC T! Ga X and Ex ia IIC T! Ga/Gb X TR-CU Ex ta IIIC T! Da X and Ex ta/tb IIIC T! Da/Db X	Standard
K	TR-CU Ex de [ia] IIC T! Gb X and Ex ta/tb IIIC T! Da/Db X	de
L	TR-CU Ex d [ia]* IIC T! Gb X and Ex ta/tb IIIC T! Da/Db X	d

* [ia] or IS is not available for versions VN ..020 without temperature extended shaft (pos.3 1)
 (In this case no intrinsic safe connection between Electronic module and Vibrating fork is used)

Electrical installation

Universal voltage

Relay SPDT

Power supply:

19 .. 230 V 50 - 60 Hz +10% 8 VA
 19 .. 55 V DC +10% 1.5 W

Signal output:

Floating relay SPDT

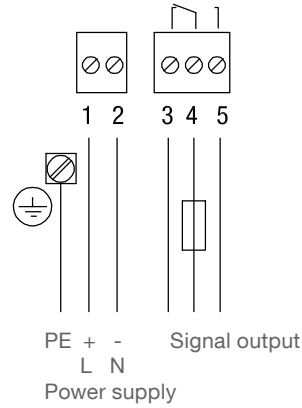
VN 1000/ 2000:

AC max. 253 V, 4 A, 500 VA at cos Phi = 1
 DC max. 253 V, 4 A, 60 W

VN 5000/ 6000:

AC max. 250 V, 8 A, non inductive
 DC max. 30 V, 5 A, non inductive

Fuse: max. 10 A, slow or fast, HBC, 250 V



Universal voltage

Relay DPDT

Power supply::

19 .. 230 V 50 - 60 Hz +10% 18 VA
 19 .. 55 V (36 V*) DC +10% 2 W

Signal output:

Floating relay DPDT

VN 1000/ 2000:

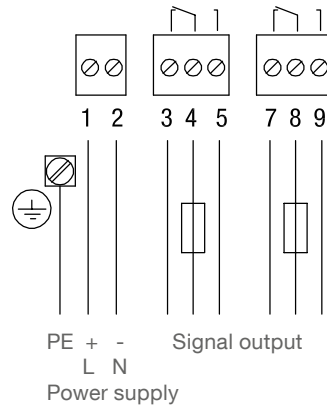
AC max. 253 V, 4 A, 500 VA at cos Phi = 1
 DC max. 253 V, 4 A, 60 W

VN 5000/ 6000:

AC max. 250 V, 8 A, non inductive
 DC max. 30 V, 5 A, non inductive

Fuse: max. 10 A, slow or fast, HBC, 250 V

* Version with intrinsic safe connection between electronic module and vibration fork (see pos.4 in price list)



3-wire

PNP

Power supply:

18 .. 50 V DC +10% 1.5 W

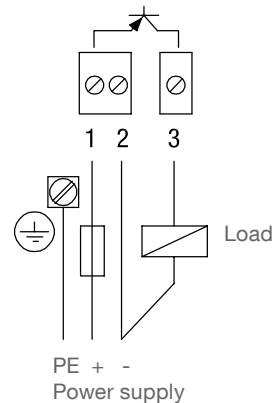
Fuse: max. 4 A, slow or fast, HBC, 250 V

Signal output:

max. 0.4 A

Load for example:

PLC, relay, contactor, bulb



Electrical installation

2-wire

without contact

Power supply:

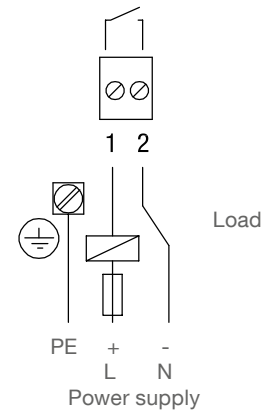
19 .. 230V 50/ 60 Hz +10% 1.5 VA
 19 .. 230V DC +10% 1 W

Load:

min. 10 mA
 max. 0.5 A permanent
 (detailed ratings see
 "Technical data")

Load for example:
 relay, contactor, bulb

Fuse: max. 4 A, slow or fast, HBC, 250 V



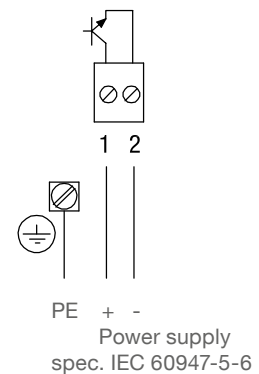
NAMUR

IEC 60947-5-6

Power supply:

ca. 7 .. 9 V DC
 intrinsic safe
 (spec. IEC 60947-5-6)

<1mA or >2.2 mA
 (spec. IEC 60947-5-6)



8/16 mA or 4-20 mA

Power supply:

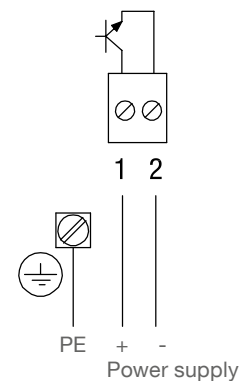
Non intrinsic safe version:
 12.5 .. 36 V DC +0%

Intrinsic safe version:
 12.5 .. 30 V DC +0%

Signal output

Setting 8/16 mA:
 8 mA or 16 mA

Setting 4-20 mA:
 Output current depends on the
 vibration amplitude of the fork: 6 mA for
 dampened vibration and 20 mA for full
 vibration.



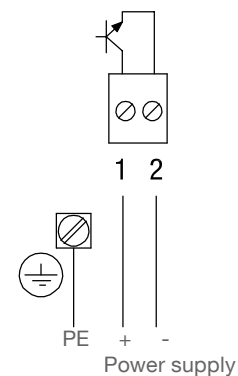
8/16 mA

Power supply:

12.5 .. 36 V DC +0%

Signal output

8 mA or 16 mA



Spare parts

Electronic modules VN 1000/ VN 5000

Electronic module	Electronic module number	VN 1020	VN 1020 VN 1030 VN 1040 separate housing	VN 1030 VN 1040	VN 1050	VN 5020	VN 5020 temp. extended shaft	VN 5020 VN 5030 separate housing	VN 5030 VN 5040	VN 5050	Prices Electronic module
Relay (SPDT) 19...230 V AC 19...55 V DC	pl400932	0, W, A, E	0	0, W, A, E	0	0, M, W, A, N, R, C, S, T, D, U	0, M, W, A, N	0, M	0, M, W, A, N	0, M	•
	pl400120 *		W, A, E		W, A, E	R, C, S, T, D, U		W, A, N, R, C, S, T, D, U		W, A, N, R, C, S, T, D, U	•
Relay (DPDT) 19...230 V AC 19...55 V DC	pl400247	0, W, A, E	0	0, W, A, E	0	0, M, W, A, N, R, C, S, T, D, U	0, M, W, A, N	0, M	0, M, W, A, N	0, M	•
	pl400052 *		W, A, E		W, A, E	R, C, S, T, D, U		W, A, N, R, C, S, T, D, U		W, A, N, R, C, S, T, D, U	•
PNP 18...50 V DC	pl400246	0, W, A, E	0	0, W, A, E	0	0, M, W, A, N, R, C, S, T, D, U	0, M, W, A, N	0, M	0, M, W, A, N	0, M	•
	pl400123 *		W, A, E		W, A, E	R, C, S, T, D, U		W, A, N, R, C, S, T, D, U		W, A, N, R, C, S, T, D, U	•
2-wire without contact 19...230 V AC/DC	pl400242	0, W, A, E	0	0, W, A, E	0						•
	pl400122		W, A, E		W, A, E						•
8/16 mA 2-wire	pl400062 *		W, A, E		W, A, E						•
	pl400093	0	0	0	0						•
8/16 mA or 4-20 mA 2-wire intrinsic safe	pl400090 **	W, A, Y, B, E	Y, B	W, A, Y, B, E	Y, B	W, A, Y, B, R, C, T, D	W, A, Y, B	Y, B	W, A, Y, B	Y, B	•

* Intrinsic safe connection between Electronic module and Vibrating fork

** Intrinsic safe from supply and intrinsic safe between Electronic module and Vibrating fork

Spare parts

Electronic modules VN 2000/ VN 6000

Elektronikmodul	Sensitivity (see pos.26)	Electronic module number	VN 2020	VN 2020 separate housing	VN 2030 VN2040	VN 2050	VN 6020	VN 6020 temp. extended shaft	VN 6020 separate housing	VN 6030 VN 6040	VN 6050	Prices Electronic module
Relay (SPDT) 19 .. 230 V AC 19 .. 55 V DC	20 g/l (1,2 lb/ft³)	pl400930	0, W, A, E	0	0, W, A, E	0	0, M, W, A, N, R, C, S, T, D, U	0, M, W, A, N	0, M, W, A, N	0, M, W, A, N	0, M	•
	5 g/l (0,3 lb/ft³)	pl400931	0, W, A, E	0	0, W, A, E	0	0, M, W, A, N, R, C, S, T, D, U	0, M, W, A, N	0, M, W, A, N	0, M, W, A, N	0, M	•
	Vibrasil® 70	pl400312	0, W, A, E	0	0, W, A, E	0	0, M, W, A, N, R, C, S, T, D, U	0, M, W, A, N	0, M, W, A, N	0, M, W, A, N	0, M	•
	Vibrasil® 90	pl400310	0, W, A, E	0	0, W, A, E	0	0, M, W, A, N, R, C, S, T, D, U	0, M, W, A, N	0, M, W, A, N	0, M, W, A, N	0, M	•
	20g/l (1,2 lb/ft³)	pl400124 *	0, W, A, E	W, A, E	W, A, E	W, A, E	0, M, W, A, N, R, C, S, T, D, U	R, C, S, T, D, U	W, A, N, R, C, S, T, D, U	R, C, S, T, D, U	W, A, N, R, C, S, T, D, U	•
	5 g/l (0,3 lb/ft³)	pl400128 *	0, W, A, E	0	0, W, A, E	0	0, M, W, A, N, R, C, S, T, D, U	0, M, W, A, N	0, M, W, A, N	0, M, W, A, N	0, M	•
Relay (DPDT) 19 .. 230 V AC 19 .. 55 V DC	20 g/l (1,2 lb/ft³)	pl400193	0, W, A, E	0	0, W, A, E	0	0, M, W, A, N, R, C, S, T, D, U	0, M, W, A, N	0, M, W, A, N	0, M, W, A, N	0, M	•
	5 g/l (0,3 lb/ft³)	pl400194	0, W, A, E	0	0, W, A, E	0	0, M, W, A, N, R, C, S, T, D, U	0, M, W, A, N	0, M, W, A, N	0, M, W, A, N	0, M	•
	20 g/l (1,2 lb/ft³)	pl400050 *	0, W, A, E	W, A, E	W, A, E	W, A, E	0, M, W, A, N, R, C, S, T, D, U	R, C, S, T, D, U	W, A, N, R, C, S, T, D, U	R, S, T, U	W, N, R, S, T, U	•
	5 g/l (0,3 lb/ft³)	pl400051 *	0, W, A, E	0	0, W, A, E	0	0, M, W, A, N, R, C, S, T, D, U	0, M, W, A, N	0, M, W, A, N	0, M, W, A, N	0, M	•
PNP 18 .. 50 V DC	20 g/l (1,2 lb/ft³)	pl400176	0, W, A, E	0	0, W, A, E	0	0, M, W, A, N, R, C, S, T, D, U	0, M, W, A, N	0, M, W, A, N	0, M, W, A, N	0, M	•
	5 g/l (0,3 lb/ft³)	pl400173	0, W, A, E	0	0, W, A, E	0	0, M, W, A, N, R, C, S, T, D, U	0, M, W, A, N	0, M, W, A, N	0, M, W, A, N	0, M	•
2-wire without contact 19 .. 230 V AC/ DC	20 g/l (1,2 lb/ft³)	pl400127 *	0, W, A, E	0	0, W, A, E	0	0, M, W, A, N, R, C, S, T, D, U	0, M, W, A, N	0, M, W, A, N	0, M, W, A, N	0, M	•
	5 g/l (0,3 lb/ft³)	pl400131 *	0, W, A, E	0	0, W, A, E	0	0, M, W, A, N, R, C, S, T, D, U	0, M, W, A, N	0, M, W, A, N	0, M, W, A, N	0, M	•
	20 g/l (1,2 lb/ft³)	pl400182	0, W, A, E	0	0, W, A, E	0	0, M, W, A, N, R, C, S, T, D, U	0, M, W, A, N	0, M, W, A, N	0, M, W, A, N	0, M	•
	5 g/l (0,3 lb/ft³)	pl400187	0, W, A, E	0	0, W, A, E	0	0, M, W, A, N, R, C, S, T, D, U	0, M, W, A, N	0, M, W, A, N	0, M, W, A, N	0, M	•
	20 g/l (1,2 lb/ft³)	pl400126	0, W, A, E	0	0, W, A, E	0	0, M, W, A, N, R, C, S, T, D, U	0, M, W, A, N	0, M, W, A, N	0, M, W, A, N	0, M	•
	5 g/l (0,3 lb/ft³)	pl400130	0, W, A, E	0	0, W, A, E	0	0, M, W, A, N, R, C, S, T, D, U	0, M, W, A, N	0, M, W, A, N	0, M, W, A, N	0, M	•
NAMUR EC 60947-5-6 2-wire intrinsic safe	20 g/l (1,2 lb/ft³)	pl400081 **	Y, B	Y, B	Y, B	Y, B	Y, B, P	Y, B, P	Y, B, P	Y, B, P	Y, B, P	•
	5 g/l (0,3 lb/ft³)	pl400082 **	0	0	0	0	0	0	0	0	0	•
8/16 mA 2-wire	20 g/l (1,2 lb/ft³)	pl400060*	0	0	0	0	0	0	0	0	0	•
	5 g/l (0,3 lb/ft³)	pl400061*	0	0	0	0	0	0	0	0	0	•
8/16 mA or 4-20 mA	20 g/l (1,2 lb/ft³)	pl400094	W, A, Y, B, E	Y, B	W, A, Y, B, E	Y, B	W, A, Y, B, R, C, T, D	R, C, T, D	W, A, R, C, T, D	R, C, T, D	W, A, R, C, T, D	•
	5 g/l (0,3 lb/ft³)	pl400098	0	0	0	0	0	0	0	0	0	•
8/16 mA or 4-20 mA 2-wire intrinsic safe	20 g/l (1,2 lb/ft³)	pl400091 **	W, A, Y, B, E	Y, B	W, A, Y, B, E	Y, B	W, A, Y, B, R, C, T, D	R, C, T, D	W, A, R, C, T, D	R, C, T, D	W, A, R, C, T, D	•
	5 g/l (0,3 lb/ft³)	pl400092 **	0	0	0	0	0	0	0	0	0	•

* Intrinsic safe connection between Electronic module and Vibrating fork
 ** Intrinsic safe from supply and intrinsic safe between Electronic module and Vibrating fork