

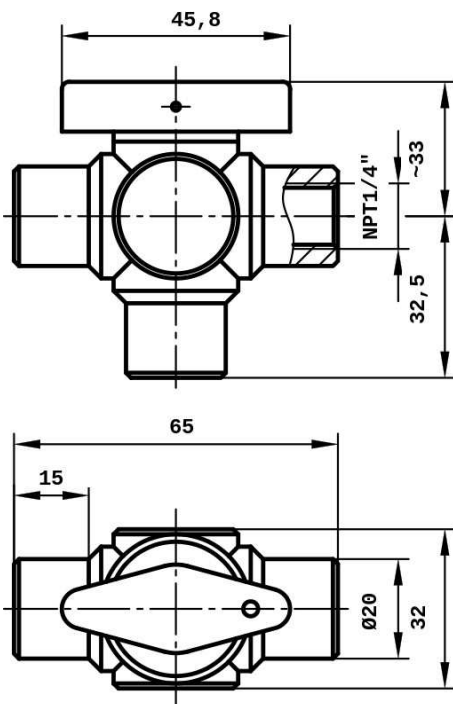


6L802F0414PVFP

Ball valve (Series 6L), 3-way, vertical, with L-bore

Technical data

Nominal Diameter	DN04
Connection	NPT1/4"
Material Body	PVDF
Material O-ring	FKM
Material Ball	PVDF
Material Sealing Sleeve	PTFE
Material Pressure Screw	PTFE
Kvs Value	0.58 m³/h
Max. Media Temperature	140°C
Pressure Stage	PN10



All data in mm

Starting from the nominal pressure rating (at 20°C), the permissible pressure reduces with increasing media temperature.