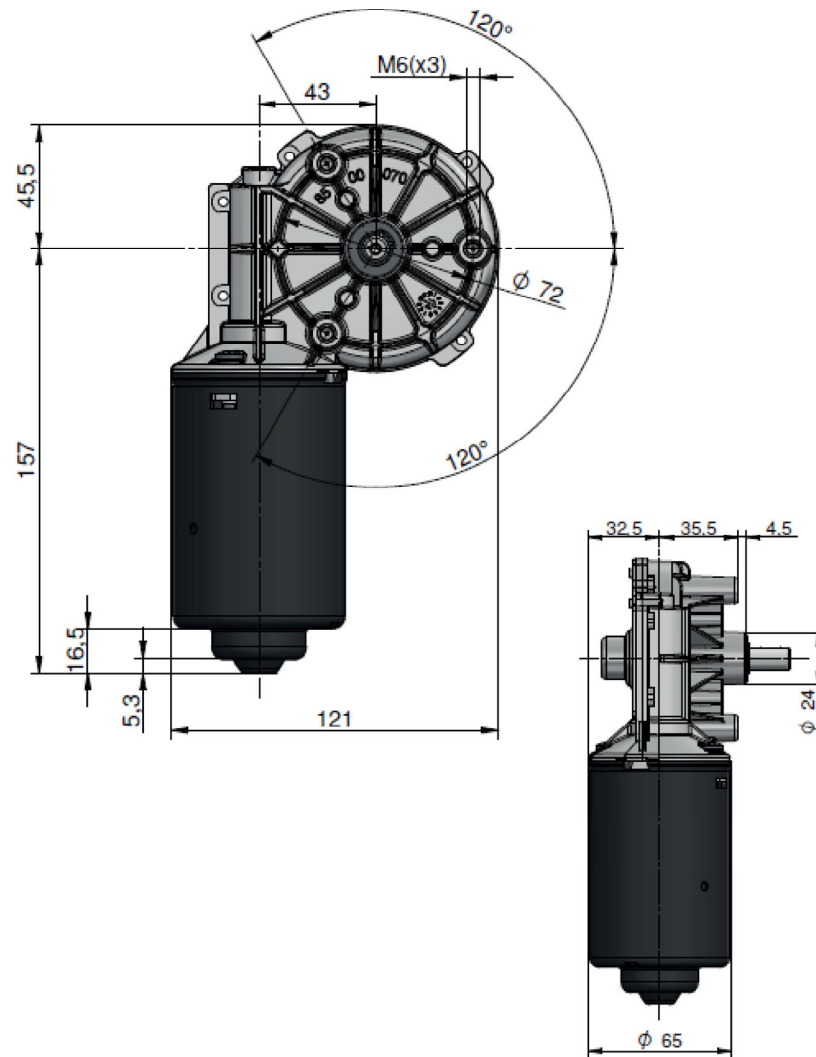


# Gearmotor MR62-43



## TECHNICAL DATA

DESCRIPTION	VALUE
Supply Voltage (VDC)	12, 24, 36, 48
No Load speed (RPM)	15÷160
Starting Torque (Nm)	< 60
Gear ratio	1:74, 2:110
Gearwheel material	Pom, Bakelite
Duty Type	S1, S2, S3
Max output power (W)	< 90
Weight (Kg)	< 1.7

Accessories:

- Standard EMC filter
- Single or dual channel Hall sensor with 1, 2, 4, 12 pulses/revolution

Customizations:

- EMC filter
- Thermal protection
- Output shaft
- Connector and wiring



DOWNLOAD  
**GEARMOTOR MR62-43**  
TECHNICAL SKETCH