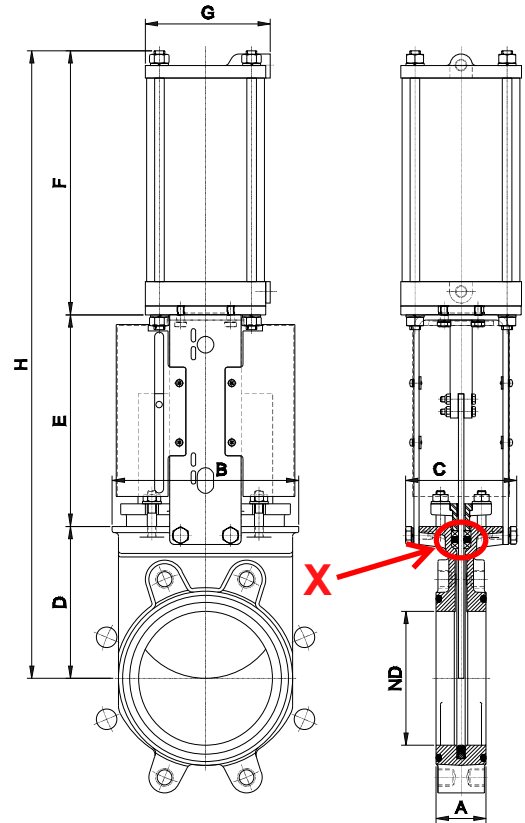


PNEUMATIC CYLINDER

- The standard pneumatic actuator (double acting on-off cylinder) consists of:
 - DN \leq 250: Aluminum barrels
 - DN \geq 300: Composite barrels
 - Aluminum end covers
 - Stainless Steel (AISI 304) piston rod
 - Nitrile coated steel piston
- Available from DN 50 to DN 800
- Supply Pressure: minimum 3.5 bar - maximum 10 bar. Actuator designed with 6 bar air supply
- For valves installed in a horizontal position, we recommend U-type support plates and/or actuator support
- Options (on request):
 - Hard anodized barrel and covers
 - Stainless Steel barrel and covers
 - Over/Undersized cylinder
 - Manual override
 - Fail safe system
 - Limit switches
- Instrumentation (on request):
 - Positioners
 - Solenoid valves
 - Flow regulators
 - Air preparation units



DN	A	B	C	D	E	F	G	H	Weight (kg.)	Standard Cyl	Connect.
50	43	113	124	105	129	178	115	412	9	C100/62	1/4" G
65	46	128	124	115	146	193	115	454	10	C100/77	1/4" G
80	46	143	124	124	162	211	115	497	11	C100/95	1/4" G
100	52	162	124	140	187	231	115	558	13.5	C100/115	1/4" G
125	56	181	124	150	211	271	140	632	19	C125/143	1/4" G
150	56	209	124	170	237	296	140	703	22	C125/168	1/4" G
200	60	263	142	205	309	358	175	872	47	C160/220	1/4" G
250	68	315	142	250	364	428	220	1042	58	C200/270	3/8" G
300	78	370	142	290	414	478	220	1182	84	C200/320	3/8" G
350	78	420	197	325	500	549	277	1374	130	C250/351	3/8" G
400	102	478	197	360	550	599	277	1509	181	C250/401	3/8" G
450	114	530	201	410	598	680	382	1688	235	C300/448	1/2" G
500	127	584	201	450	658	730	382	1838	302	C300/498	1/2" G
600	110	762	201	510	758	830	382	2098	315	C300/588	1/2" G
700	110	890	380	601	875	985	444	2461	480	C350/693	3/4" G
800	110	1012	320	695	974	1035	444	2704	585	C350/790	3/4" G

A: EN558-1 serie 20 up to DN500

Reserves the right to change specifications without notice