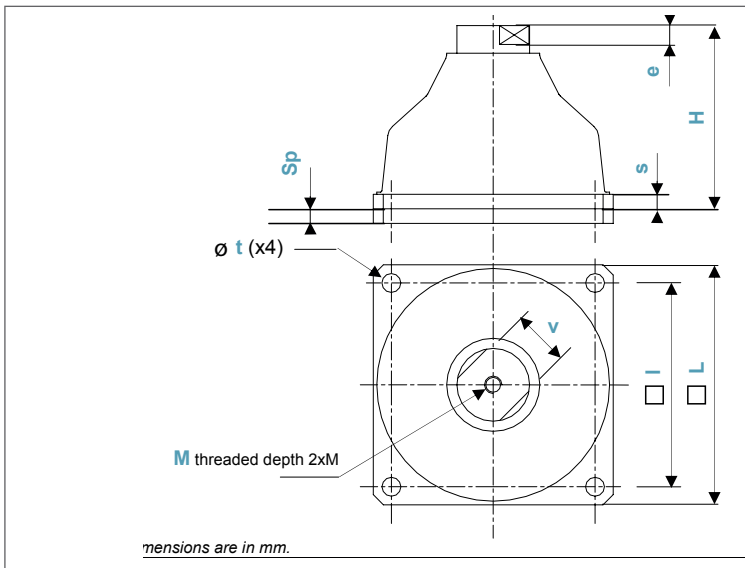


# LOW FREQUENCY ELASTOMER MOUNTS: **BF** series **BFN45** DEFINITION



- Multidirectional anti-vibration/shock mounts.
- Displacement under shock from 45 to 55mm.
- Transmissibility :  $Q < 10$ .
- Resonant frequency 5 Hz for nominal load.
- Temperature range :  $-30^{\circ}\text{C} +70^{\circ}\text{C}$ .
- Great adaptability / versatility.

**SPECIALS ON REQUEST**  
(materials, size and interfaces, etc.)

Dimensions are in mm. For reference only.

SERIE	DIMENSIONS & LOAD										nom. load (daN)	axial stiffness (N.mm <sup>-1</sup> )	mass (kg)	
	model	H	L	l	e	v	t	M	s	Sp				
<b>BFN45</b> Elastomer: natural rubber Top and bottom interfaces: salt fog anti corrosion paint Other materials on request	-30	100	150	114	10	27	9	M10	5	-	(10)	30	25	1,2 (2,3)
	-45											45	40	
	-60											60	50	
	-85											85	65	
	-110											110	85	
	-130	130	100											
	-170	126	165	140	13	41	13	M20	10	-	(5)	170	130	3,4 (3,8)
	-230											230	175	
	-320											320	210	
	-425											425	290	
-500	154	250	210	14	41	18	M24	15	-		500	400	12,5	
-625											625	500		
-800											800	650		
-1080											1080	840		

**EXAMPLE**  
BFN45-110e10

B	F	N	4	5	-	1	1	0	e	1	0
---	---	---	---	---	---	---	---	---	---	---	---

SPACER: e10  
thickness: 10mm

**PREFIX:**  
'low frequency' mount from the BFN45 series

**MODEL: -110**  
height: 100mm  
width: 150mm  
interface: M10

nom. load: 110 daN  
axial average stiffness:  
85 N.mm<sup>-1</sup>

