



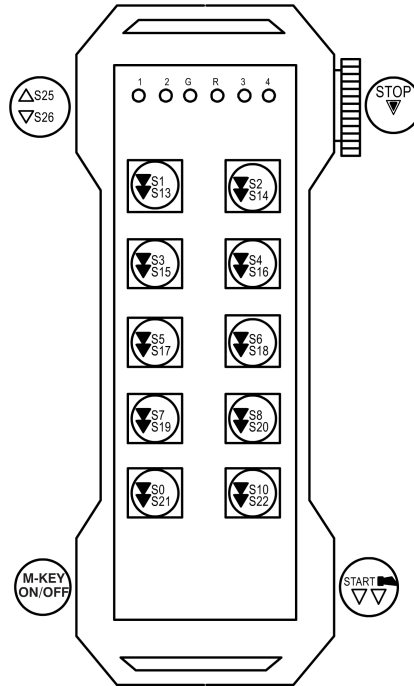
COVER IMAGE ONLY FOR REFERENCE

TECHNICAL DATA DATI TECNICI	
-------------------------------	--

Frequency	863-870 MHz
Transmitter	LK NEO 10
Receiver	ACRM15 2 exp. medium receiver
Battery type	Li-ion Battery
Charger	AC European plug
Harness/Belt option	Shoulder harness with Heavy Duty cover
Receiver's antenna	Spiral antenna TNC

FACTORY DEFAULT SETTINGS IMPOSTAZIONI DI FABBRICA	
---	--

RF Power	Low
Radio mode	Frequency Hopping Spread Spectrum
Bank group	Group 0

TRANSMITTER MODEL: LKN10


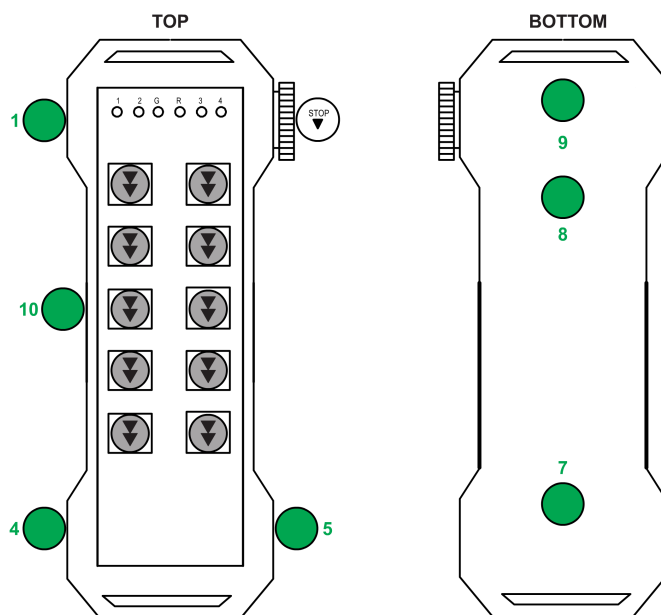
COMMAND	STOP	COMMAND + SAFETY
---------	------	------------------

DIGITAL COMMANDS CONTROLLED AT START-UP | COMANDI DIGITALI CONTROLLATI ALL'ACCENSIONE

S0	S1	S2	S3	S4	S5	S6	S7	S8	S9	S10	S11	S12	S13	S14	S15
<input checked="" type="checkbox"/>	<input checked="" type="checkbox"/>	<input checked="" type="checkbox"/>	<input checked="" type="checkbox"/>	<input checked="" type="checkbox"/>	<input checked="" type="checkbox"/>	<input checked="" type="checkbox"/>	<input checked="" type="checkbox"/>	<input checked="" type="checkbox"/>	<input checked="" type="checkbox"/>	<input checked="" type="checkbox"/>	<input checked="" type="checkbox"/>	<input checked="" type="checkbox"/>	<input type="checkbox"/>	<input type="checkbox"/>	<input type="checkbox"/>
S16	S17	S18	S19	S20	S21	S22	S23	S24	S25	S26	S27	S28	S29	S30	S31
<input type="checkbox"/>	<input type="checkbox"/>	<input type="checkbox"/>	<input type="checkbox"/>	<input type="checkbox"/>	<input type="checkbox"/>	<input type="checkbox"/>	<input type="checkbox"/>	<input type="checkbox"/>	<input type="checkbox"/>	<input type="checkbox"/>	<input type="checkbox"/>	<input type="checkbox"/>	<input checked="" type="checkbox"/>	<input checked="" type="checkbox"/>	<input checked="" type="checkbox"/>
S32	S33	S34	S35	S36	S37	S38	S39	S40	S41	S42	S43	S44			
<input type="checkbox"/>	<input type="checkbox"/>	<input type="checkbox"/>	<input type="checkbox"/>	<input type="checkbox"/>	<input type="checkbox"/>	<input type="checkbox"/>	<input type="checkbox"/>	<input type="checkbox"/>	<input type="checkbox"/>	<input type="checkbox"/>	<input type="checkbox"/>	<input type="checkbox"/>			

ANALOGIC COMMANDS CONTROLLED AT START-UP | COMANDI ANALOGICI CONTROLLATI ALL'ACCENSIONE

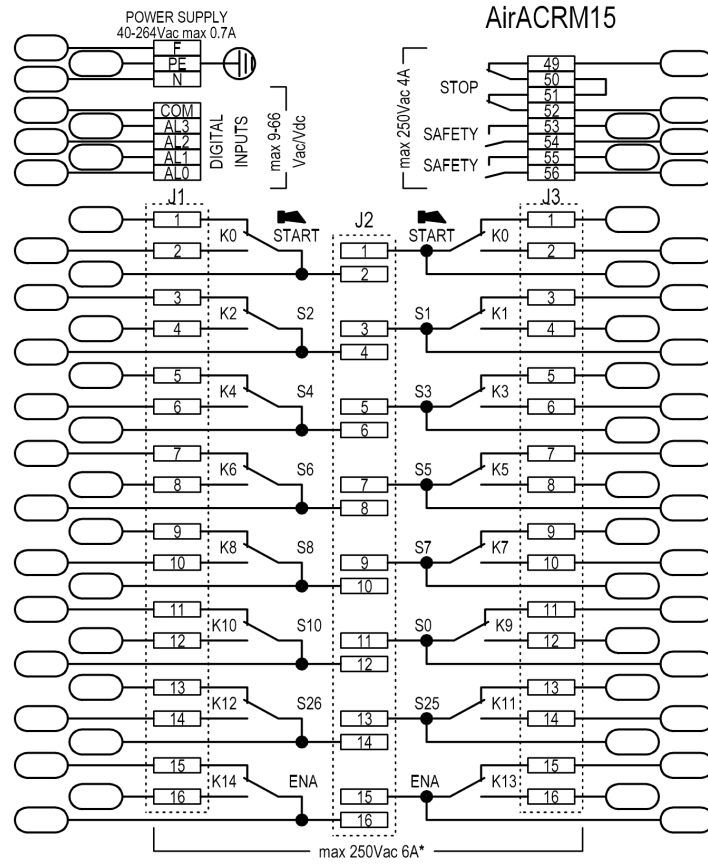
A1	A2	A3	A4	A5	A6
<input checked="" type="checkbox"/>	<input checked="" type="checkbox"/>	<input checked="" type="checkbox"/>	<input checked="" type="checkbox"/>	<input checked="" type="checkbox"/>	<input checked="" type="checkbox"/>

TRANSMITTER MODEL: LKN10

TECHNICAL DATA | DATI TECNICI

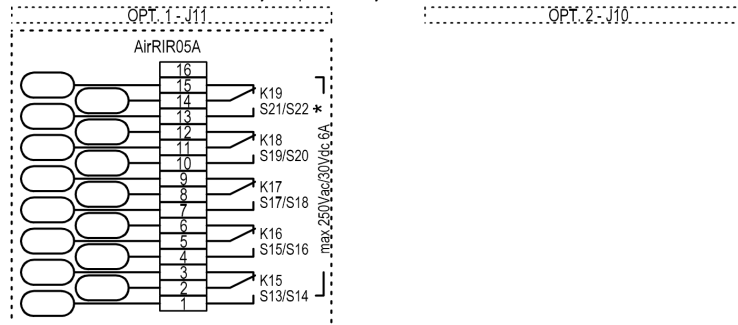
Removable 0/1 selector	M-Key
Selector 01	Toggle switch 3 latching positions
Selector 04	M-Key
Selector 05	Start pushbutton

FACTORY DEFAULT SETTINGS | IMPOSTAZIONI DI FABBRICA

Switch-OFF	5 min.
PIN start up	Disabled
PIN code 1	START
PIN code 2	S0
PIN code 3	START

RECEIVER
MODEL: RMC


* The rated current may be up to 10A only if both terminals are used for each contact



RECEIVER	MODEL: RMC
-----------------	-------------------

TECHNICAL DATA DATI TECNICI

Receiving Unit Power Supply	45-230Vac
Rated current of STOP outputs	4A (250Vac)
Rated current of Safety output	4A (250Vac)
Safety performance of the STOP	up to PL d, cat. 3 / SIL 2
Receiver's connection	Cable gland
Optional card 1	AirRIR05A 10A command extension

FACTORY DEFAULT SETTINGS IMPOSTAZIONI DI FABBRICA
--

Passive stop	350ms
--------------	-------

PROGRAMMING FILES FILE DI PROGRAMMAZIONE

Ladder configuration file	LD00681
---------------------------	---------