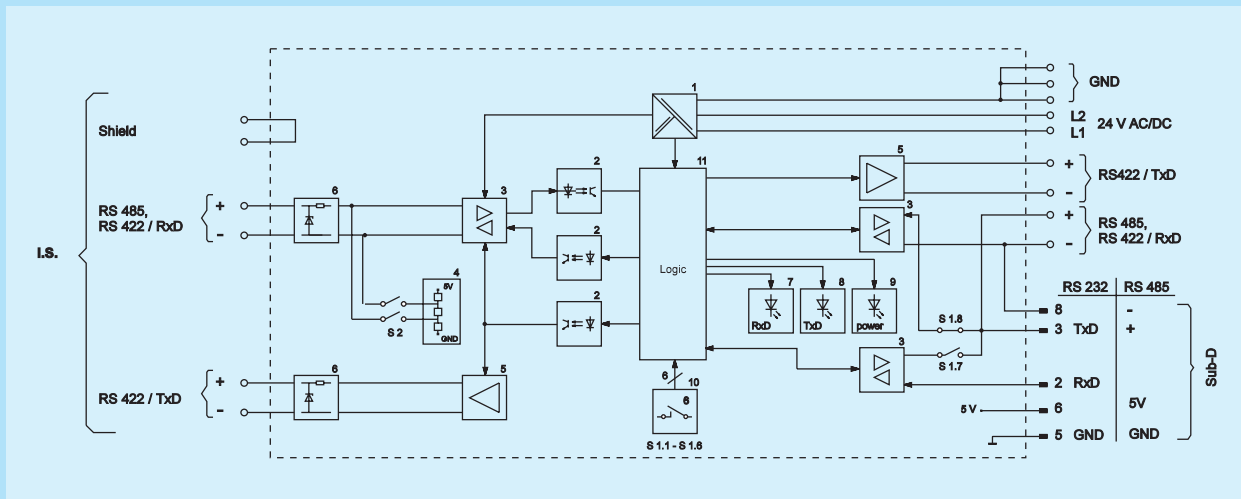


I.S. Isolators (DIN Rail Mounting) Fieldbus Isolating Repeater Type 9373/21

- Intrinsically safe RS 422, RS 485 fieldbus EEx ib IIC
- Transmission speed adjustable between 1,2 kBit/s and 1,5 MBit/s
- Galvanic isolation between RS 422 / RS 485 (I.S.), RS 232, RS 422, RS 485 and power supply
- Power supply 18...35 V DC, 24 V AC
- Installation in Zone 2 (Div 2) possible
- EMC tested, CE marking



Basic function: isolating repeater for communication signals
The fieldbus isolating repeater is used to separate intrinsically safe RS 422 / RS 485 fieldbus from non intrinsically safe RS 232, RS 422, RS 485 interface.



Selection table

Version	Ordering code
Fieldbus isolating repeater	9373 / 21 - 12 - 10

Safety data for input

Certifications	PTB (Europe, CENELEC), FM (USA), CSA (Canada), FTZU (Czech Republic), SEV (Switzerland)
Marking	[EEx ib] IIC/IIB according to CENELEC
Classification	associated electrical apparatus

Safe max.values (CENELEC)	RS 485 (+/15, -/16)	RS 422 RxD (+/15, -/16), TxD (+/17, -/18)
Max. voltage U_0	± 3.72 V	± 5.88 V
Max. current I_0	± 228 mA	± 207 mA
Max. power P_0	212 mW	305 mW
Max. voltage U_i	± 5.88 V	± 5.88 V
Max. power P_i	–	460 mW
Max. capacitance C_a for [EEx ib] IIC/IIB	200 μ F/3000 μ F	68 μ F/1499 μ F
Max. inductance L_a for [EEx ib] IIC/IIB	0.35 mH/3.1 mH	0.45 mH/3.6 mH

Further values see certification PTB-Nr. Ex-94.C.2044, 2nd supplement

Technical data

Power supply

Rated voltage U_N	24 V AC/DC
Voltage range	18...35 V DC, $\pm 15\%$ AC
Rated current (for U_N) I_N	93 mA
Max. power consumption	2.2 W
Polarity reversal protection	yes

Input/output I.S.

RS 422 to EIA RS-422-A and RS 485 to EIA RS-485 readjusted for intrinsically safe operation
Terminating impedance connectable

Transmission speed

Transmission speed in Bit/s	Twisted pair \varnothing 0.34 mm ² (EN 50 170), RS 485
≤ 93.75 k	≤ 1200 m
187.5 k	≤ 1000 m
500 k	≤ 400 m
1.5 M	≤ 200 m

Input/output non I.S.

RS 232 to EIA RS-232-C connection	9-way Sub-D connector
Transmission line length	15 m
Transmission speed in Bit/s	1.2 k; 9.6 k; 19.2 k; 38.4 k; 57.6 k
RS 422 to EIA RS-422-A and RS 485 to EIA RS-485	can be connected via Sub-D connector
Terminating impedance	9-way Sub-D-connector and screwed terminals
Connection	see table above
Transmission speed	
Transmission speed in Bit/s	1.2 k; 9.6 k; 19.2 k; 38.4 k; 57.6 k; 93.75 k; 187.5 k; 375 k; 500 k; 1 M; 1.5 M
Turn off time, transmitter RS 485	$T \leq 11 \times$ bit time

Dimensions (Casing type D), mechanical data, ambient conditions and accessories see page 3/58f.

