

## Series 22D Stainless Steel Direct Mount Ball Valve



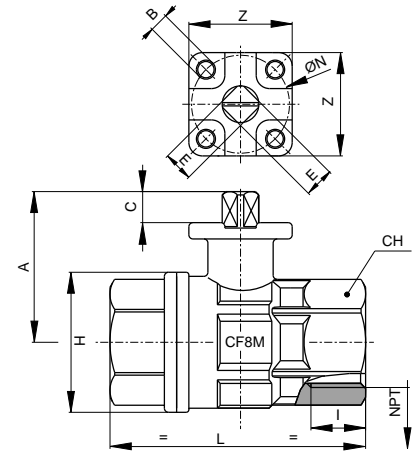
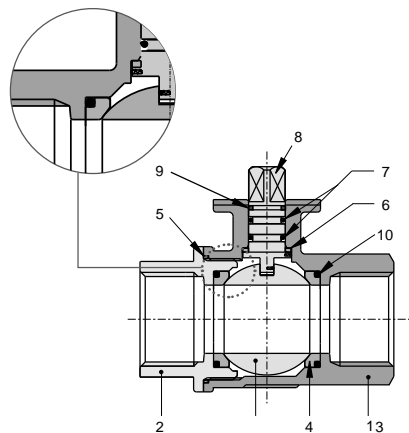
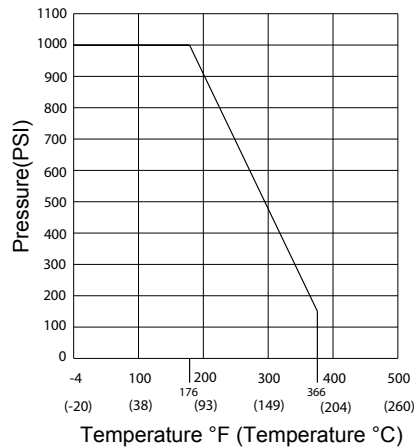
1000 WOG - Full Port - NPT Ends

### SPECIFICATIONS:

- Two Piece Stainless Steel ASTM A351 - CF8M
- End Type: NPT
- Pressure rating: 1000 WOG
- Temperature: to 366°F
- Blow-out proof stem design
- ISO 5211 Top Flange for Direct Mounting
- PTFE seats with O-RING backing for low operating torque
- PTFE seals and double O-RING stem packing
- Complies with NACE MR 0175 & NACE MR 0103

### Materials List

NO	PART NAME	MATERIAL	NO. PCS.
1	BODY	CF8M	1
2	END CONNECTION	CF8M	1
3	BALL	AISI 316 - CF8M	1
4	BALL SEAT	PTFE	2
5	SEAT	PTFE	1
6	STEM SEAL	PTFE	1
7	O-RING	FKM (VITON)	2
8	STEM SEAL	AISI 316	1
9	STEM SEAT	PTFE	1
10	O-RING	FKM (VITON)	2



### Dimensions (in.)

SIZE	I	L	H	CH	A	C	E	ØN	B	Z	Cv	WEIGHT (lbs.)
1/2"	0.59	2.63	1.35	1.06	1.63	0.35	0.35	1.42 (ISO F03)	0.23	1.49	18.90	0.68
3/4"	0.64	3.07	1.65	1.25	1.71	0.35	0.35	1.42 (ISO F03)	0.23	1.49	34.22	0.91
1"	0.75	3.54	2.02	1.61	2.10	0.35	0.35	1.42 (ISO F03)	0.23	1.49	49.88	1.35
1-1/4"	0.84	3.93	2.53	1.96	2.24	0.35	0.35	1.42 (ISO F03)	0.23	1.49	103.24	2.22
1-1/2"	0.84	4.40	3.03	2.16	2.91	0.43	0.43	1.97 (ISO F05)	0.27	1.96	266.80	3.69
2"	1.01	5.31	3.81	2.75	3.27	0.43	0.43	1.97 (ISO F05)	0.27	1.96	307.40	6.49

Copyright 2007, Triad Process Equipment® Triad and Triad Process Equipment are registered trademarks. We reserve the right to make technical and or dimensional changes without prior notice.

Triad Process Equipment®



triadvalves.com