

82M-3E SERIES

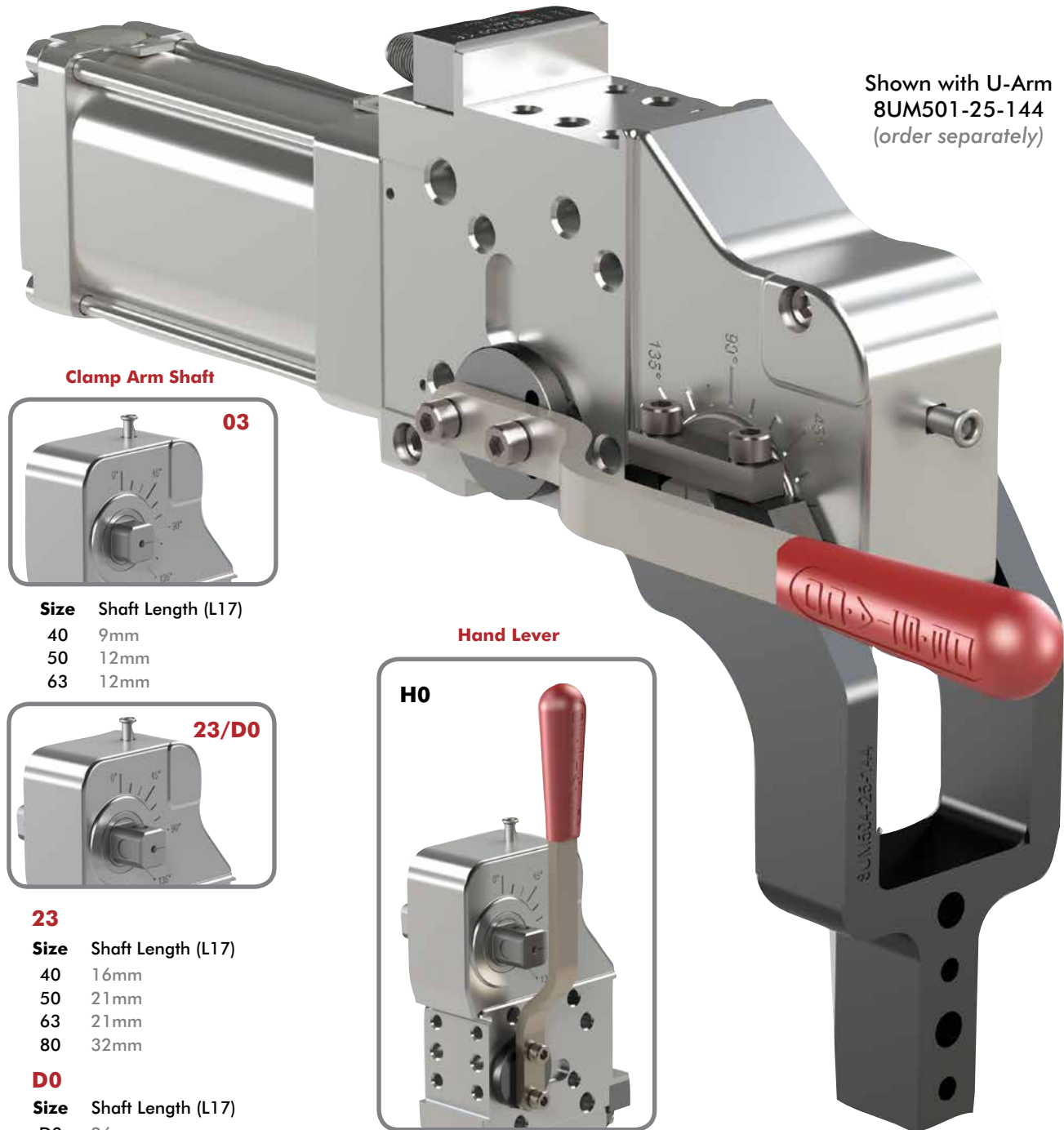
Pneumatic Power Clamps | Ordering Information

82M-3 **E** **23** **H0** **50** **L8**

Base Model	Mounting	Description	Clamp Arm Shaft	Description	Handle	Description
	E	Standard	03	for U-Arms	00	No Hand lever
	N	NAAMS (Size 63 only)	23	for Lateral Arms	H0	Hand Lever
			D0	for Lateral Arms (size 63 only)		

See below for further details

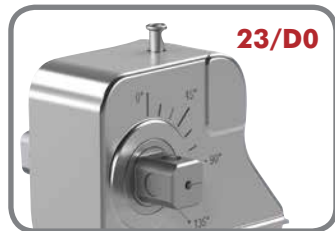
Shown with U-Arm
8UM501-25-144
(order separately)



Clamp Arm Shaft



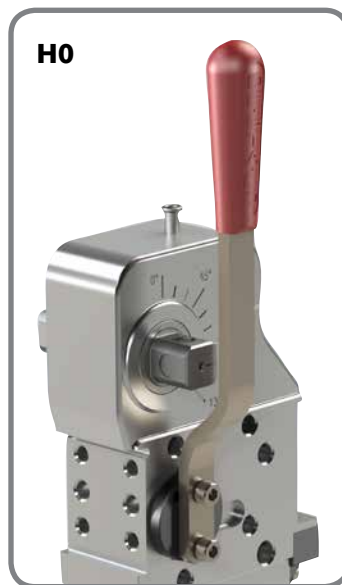
Size	Shaft Length (L17)
40	9mm
50	12mm
63	12mm



Size	Shaft Length (L17)
40	16mm
50	21mm
63	21mm
80	32mm

Size	Shaft Length (L17)
D0	26mm

Hand Lever



82M-3E SERIES

Pneumatic Power Clamps | Ordering Information

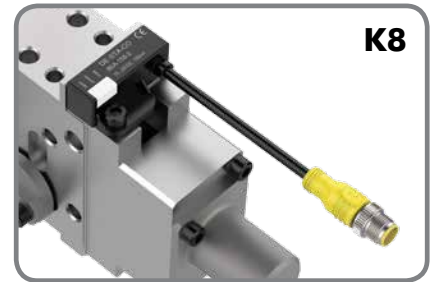
Sensor	Description
00	No sensor
L8	Sensor with In-line Connector (Replacement Order No.: 8EA-146-4)
L9	Sensor with 90 deg Connection (Replacement Order No.: 8EA-147-4)
K8	Sensor with Cable Connection (Replacement Order No.: 8EA-158-4)



L8



L9



K8

Size	Description
40	40mm Cylinder Bore Size with G Port
50	50mm Cylinder Bore Size with G Port
5N	50mm Cylinder Bore Size with NPT
63	63mm Cylinder Bore Size with G Port
6N	63mm Cylinder Bore Size with NPT
80	80mm Cylinder Bore Size with G Port
8N	80mm Cylinder Bore Size with NPT



40

Max Holding Torque
380 Nm
Max Clamping Torque
120 Nm at 5bar



50

Max Holding Torque
1300 Nm
Max Clamping Torque
270 Nm at 5bar



63

Max Holding Torque
1800 Nm
Max Clamping Torque
420 Nm at 5bar



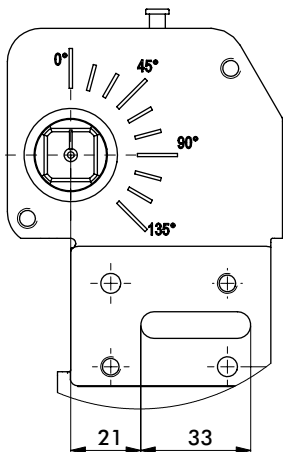
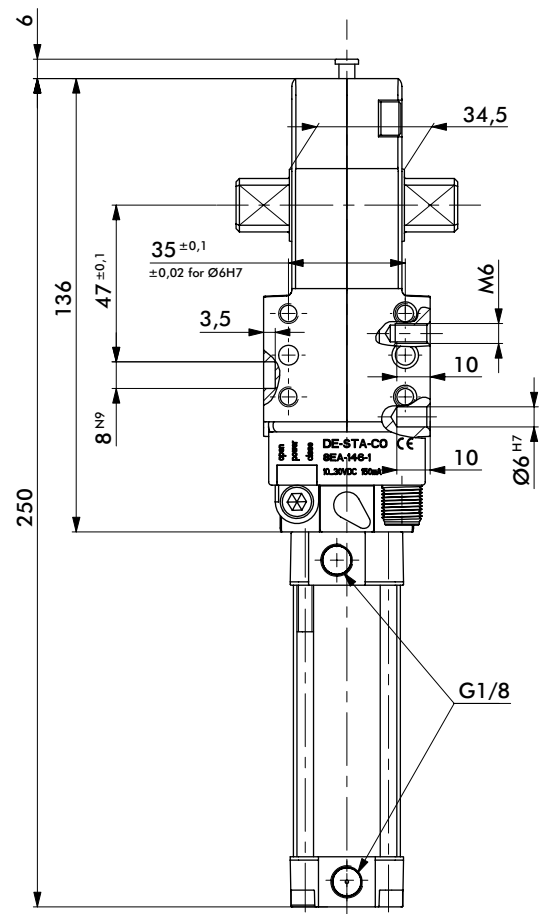
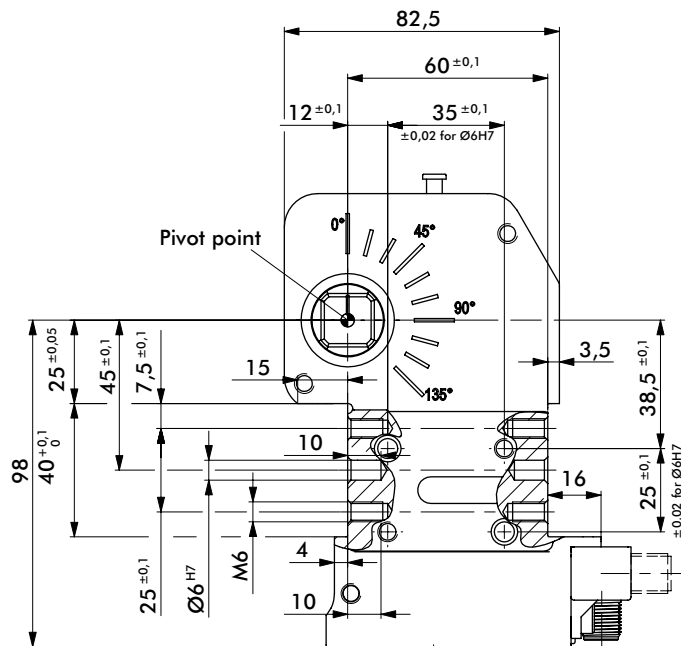
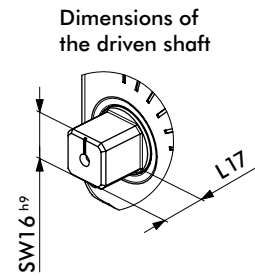
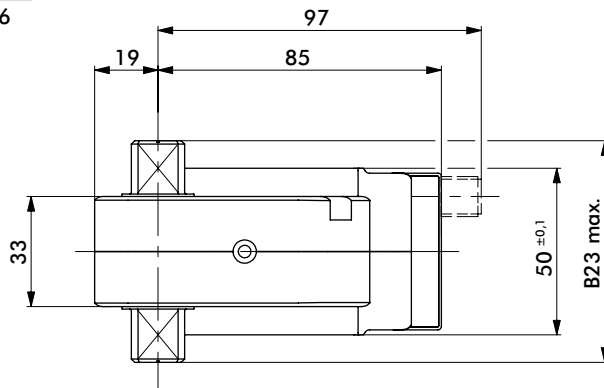
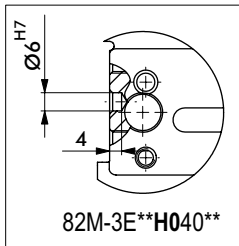
80

Max Holding Torque
3000 Nm
Max Clamping Torque
850 Nm at 5bar

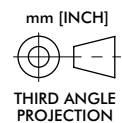
82M-3E...40 SERIES

Pneumatic Power Clamps | Dimensions

Model	B23 Max.	L17
82M-3E03..40..	54,5	9
82M-3E23..40..	66,5	16



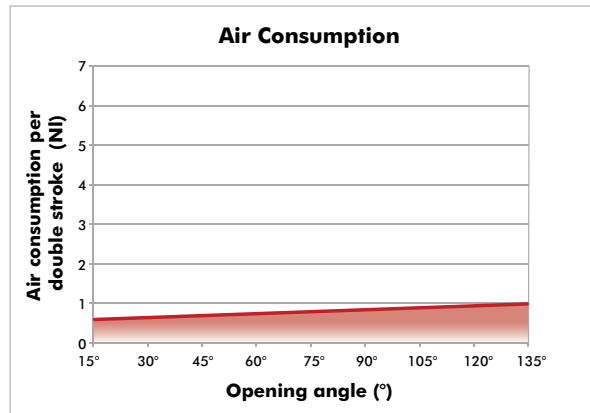
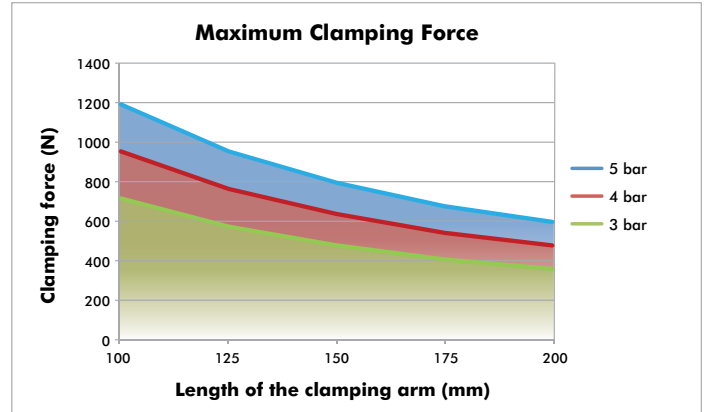
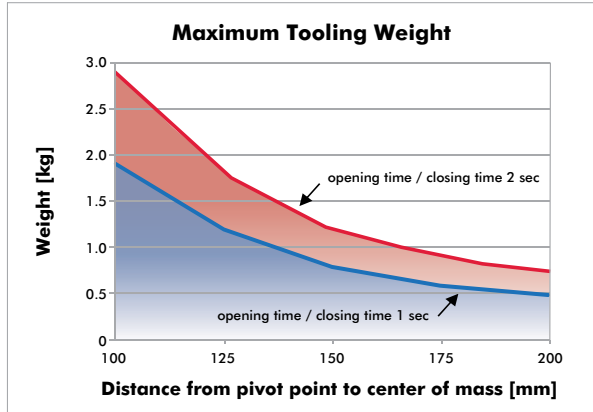
Power by compressed air, max. 6 bar operation with oil-free air is permissible.
The connector socket and the cable are not supplied with the unit.



82M-3E....40 SERIES

Pneumatic Power Clamps | Technical Specifications

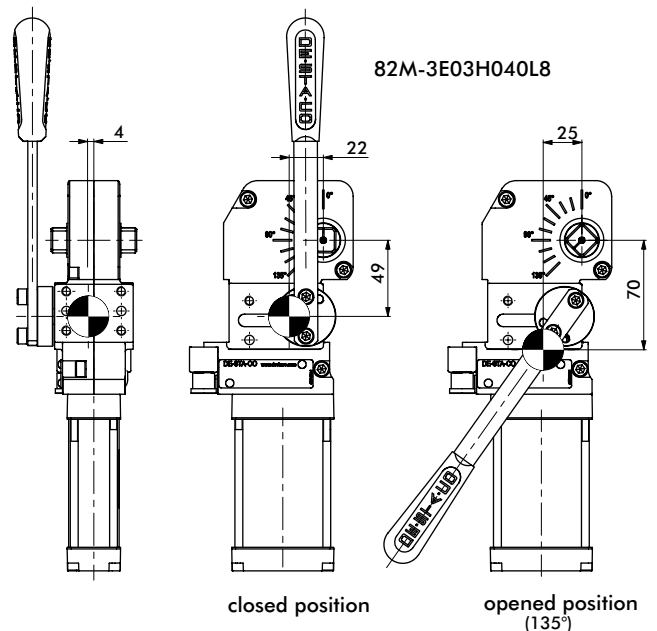
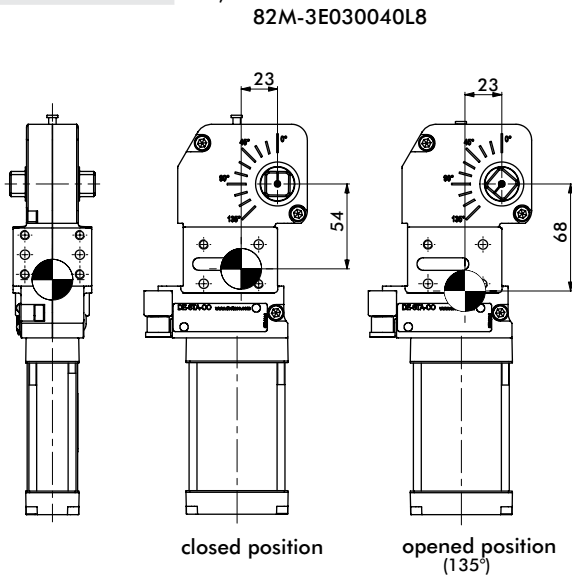
Model	Max. Holding Torque (Nm)	Clamping Torque at 5 bar (Nm)	Cylinder Ø (mm)	Weight (kg)	Air Consumption per double stroke at 5 bar (liter)
82M-3E....40..	380	120	40	1,5	0,9



ATTENTION:
Calculation tool available. Please consult factory.

Center of Mass

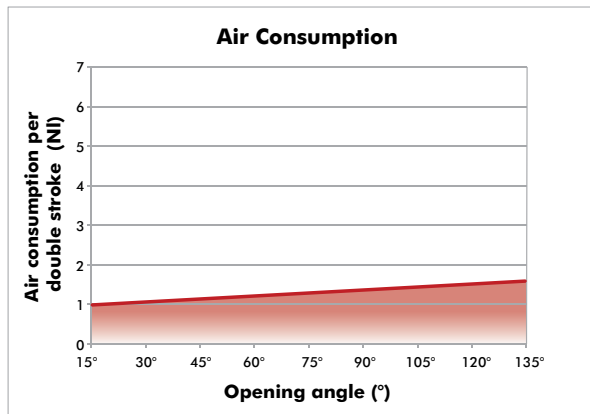
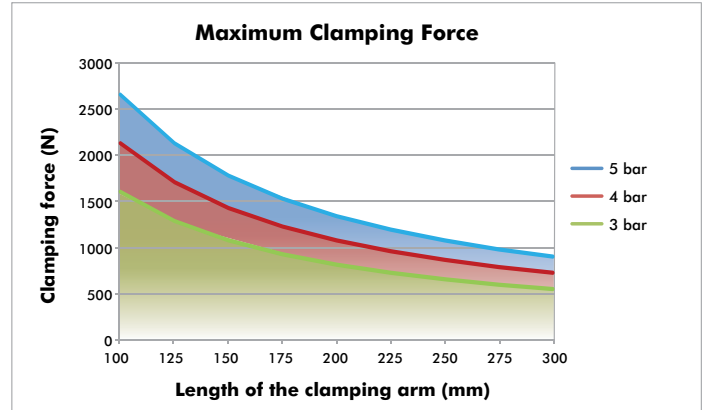
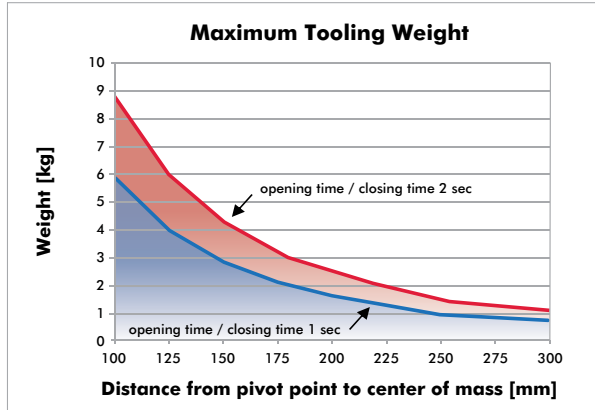
Model	Weight (kg)
82M-3E030040L.	1,5
82M-3E03H040L.	1,6



82M-3E....5. SERIES

Pneumatic Power Clamps | Technical Specifications

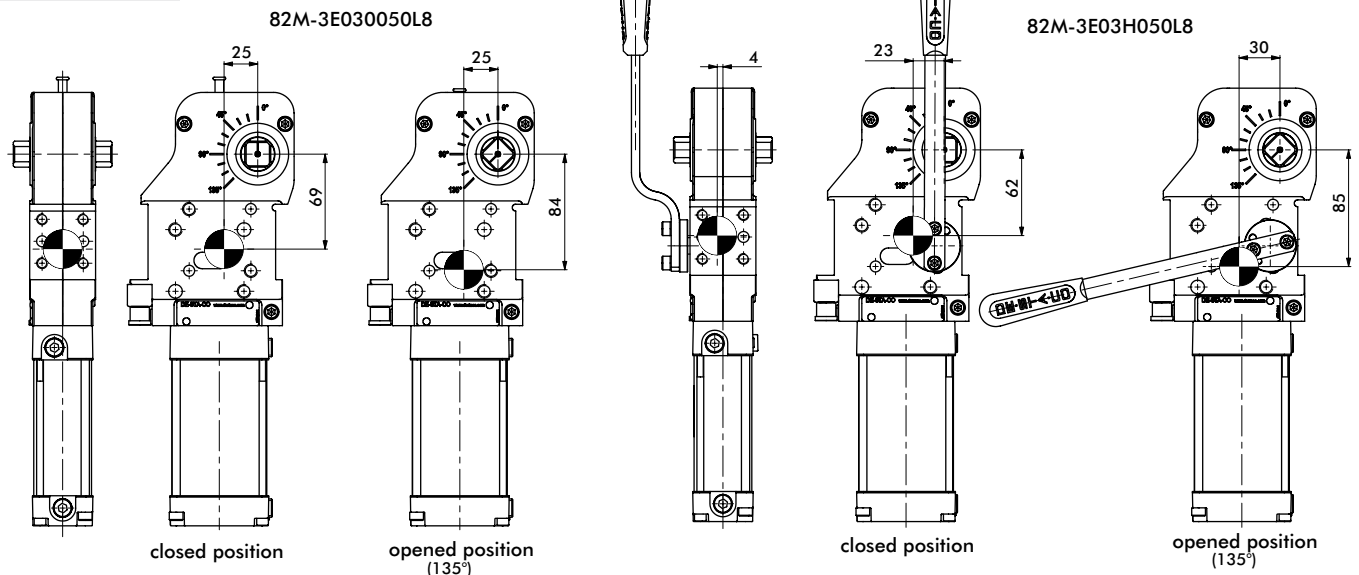
Model	Connection (C)	Max. Holding Torque (Nm)	Clamping Torque at 5 bar (Nm)	Cylinder Ø (mm)	Weight (kg)	Air Consumption per double stroke at 5 bar (liter)
82M-3E....50..	G 1/4	1300	270	50	2,8	1,6
82M-3E....5N..	1/4-18 NPT					



ATTENTION:
Calculation tool available. Please consult factory.

Center of Mass

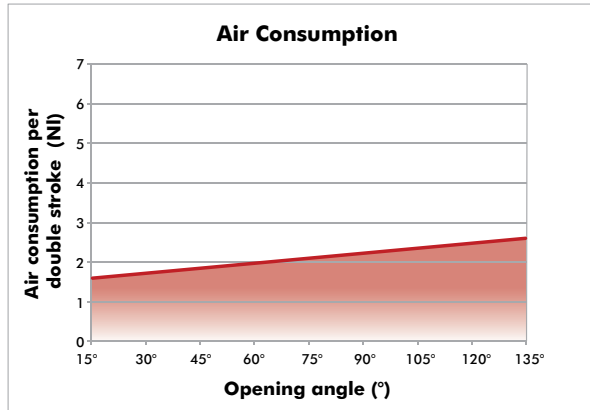
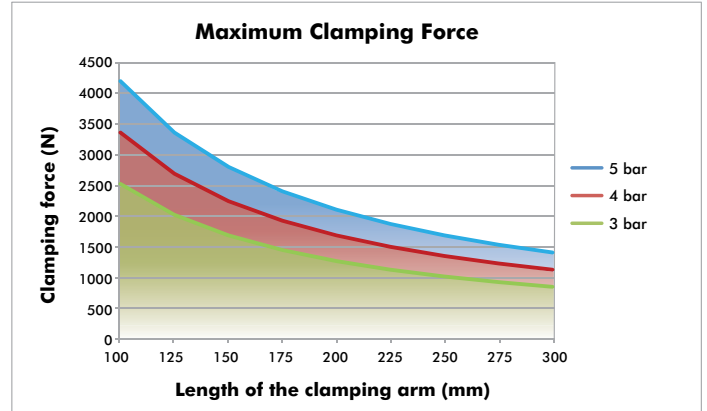
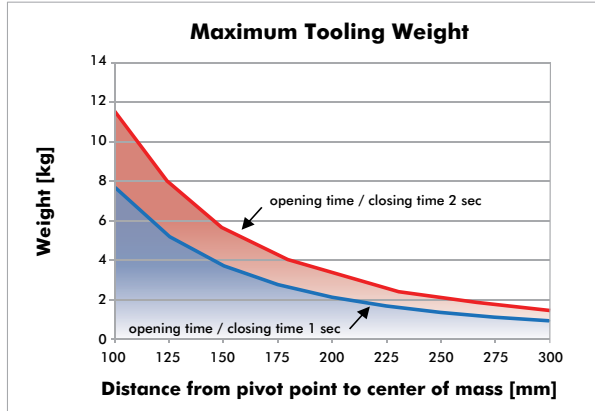
Model	Weight (kg)
82M-3E030050L.	2,8
82M-3E03H050L.	3,1



82M-3.....6. SERIES

Pneumatic Power Clamps | Technical Specifications

Model	Connection (C)	Max. Holding Torque (Nm)	Clamping Torque at 5 bar (Nm)	Cylinder Ø (mm)	Weight (kg)	Air Consumption per double stroke at 5 bar (liter)
82M-3E....63..	G 1/4	1800	420	63	3,8	2,6
82M-3N....63..						
82M-3E....6N..	1/4-18 NPT	1800	420	63	3,8	2,6
82M-3N....6N..						

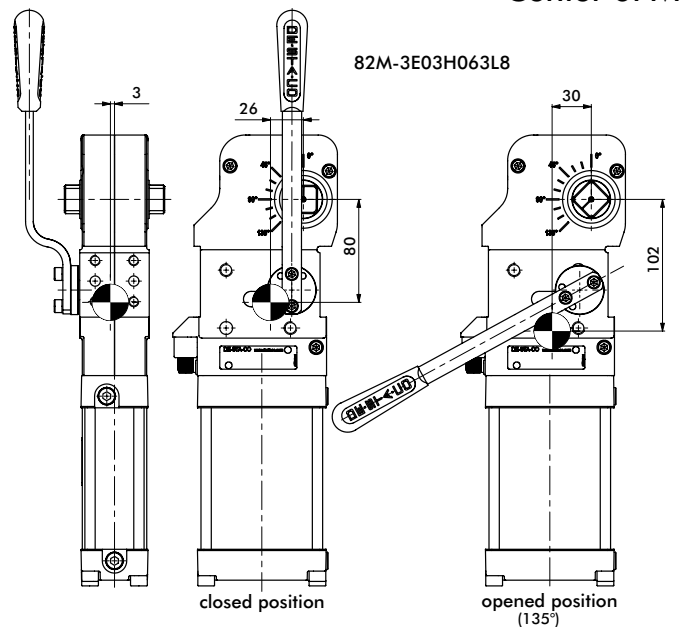
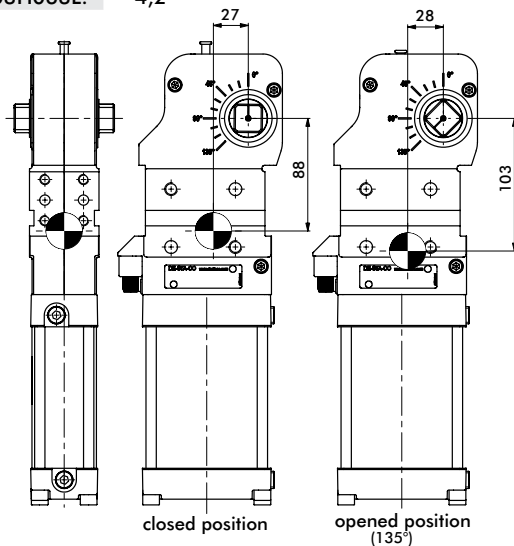


ATTENTION:
Calculation tool available. Please consult factory.

Model	Weight (kg)
82M-3E030063L.	3,8
82M-3E03H063L.	4,2

82M-3E030063L8

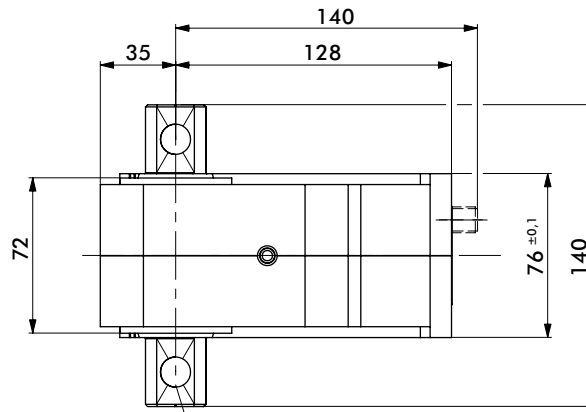
82M-3E03H063L8



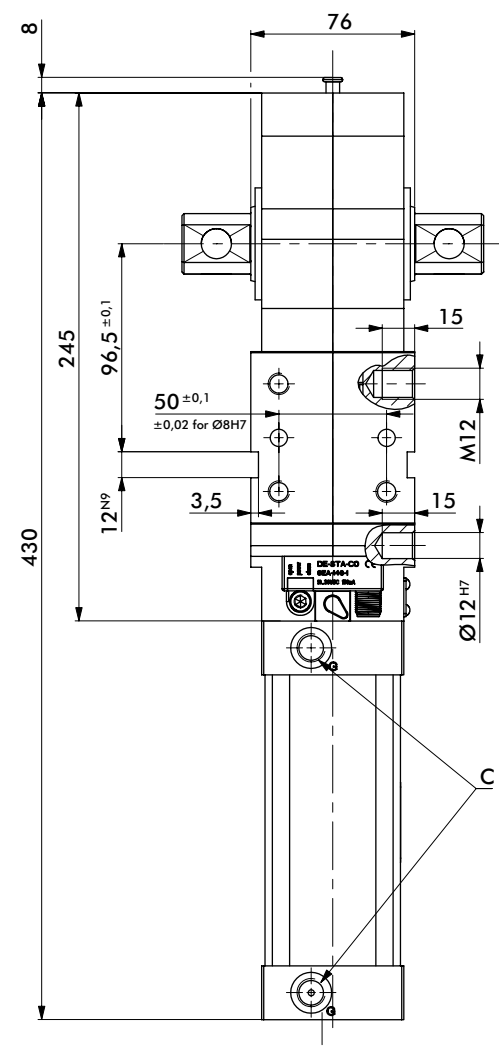
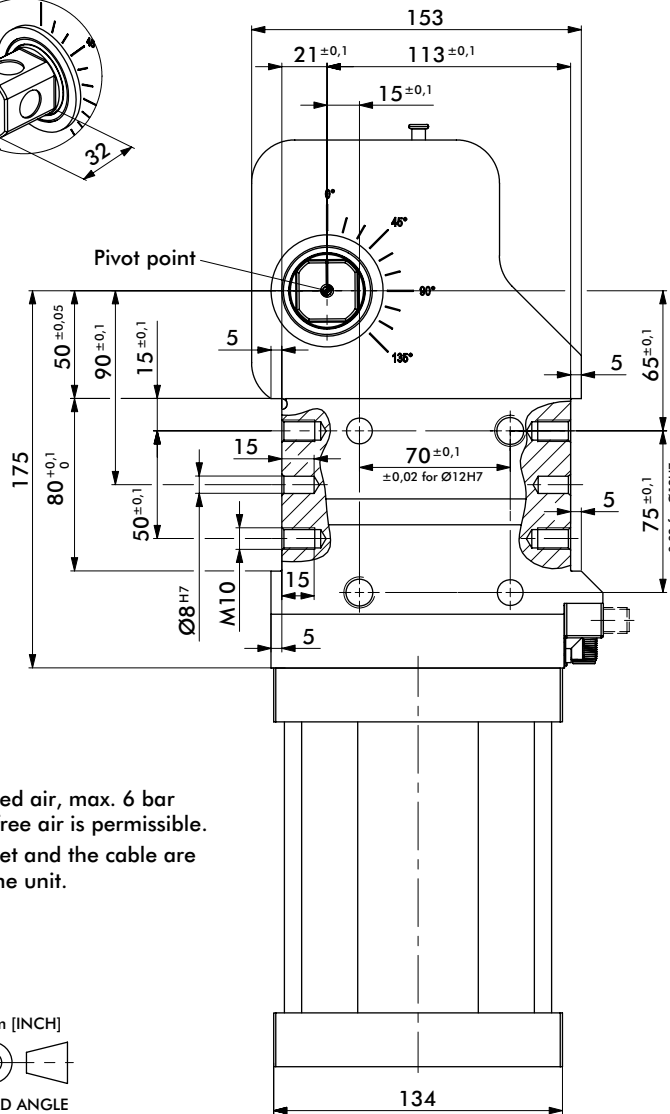
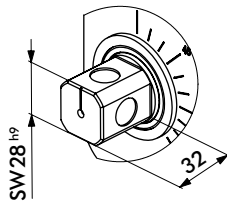
Center of Mass

82M-3E....8. SERIES

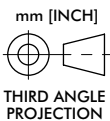
Pneumatic Power Clamps | Dimensions



Dimensions of the driven shaft



Power by compressed air, max. 6 bar operation with oil-free air is permissible. The connector socket and the cable are not supplied with the unit.

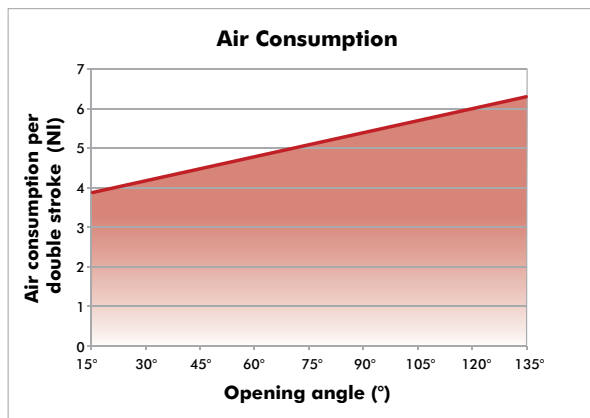
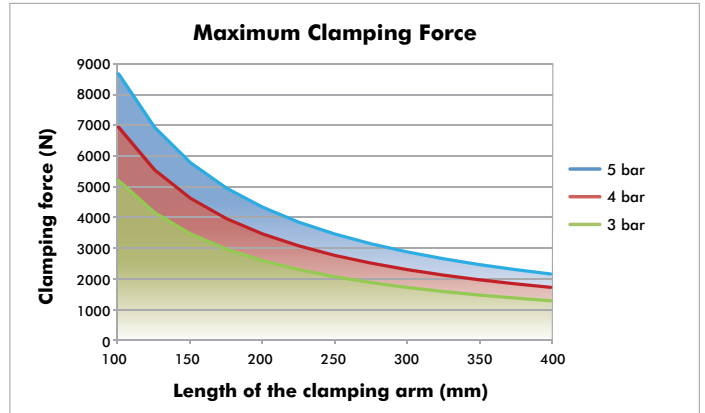
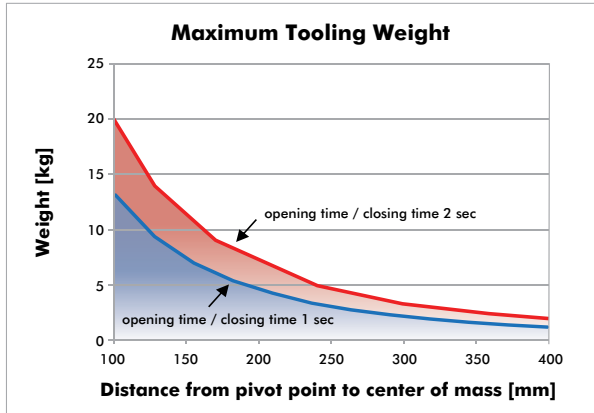


Important !
For optimal cushioning external pneumatic one-way, flow control valves should be used.

82M-3E....8. SERIES

Pneumatic Power Clamps | Technical Specifications

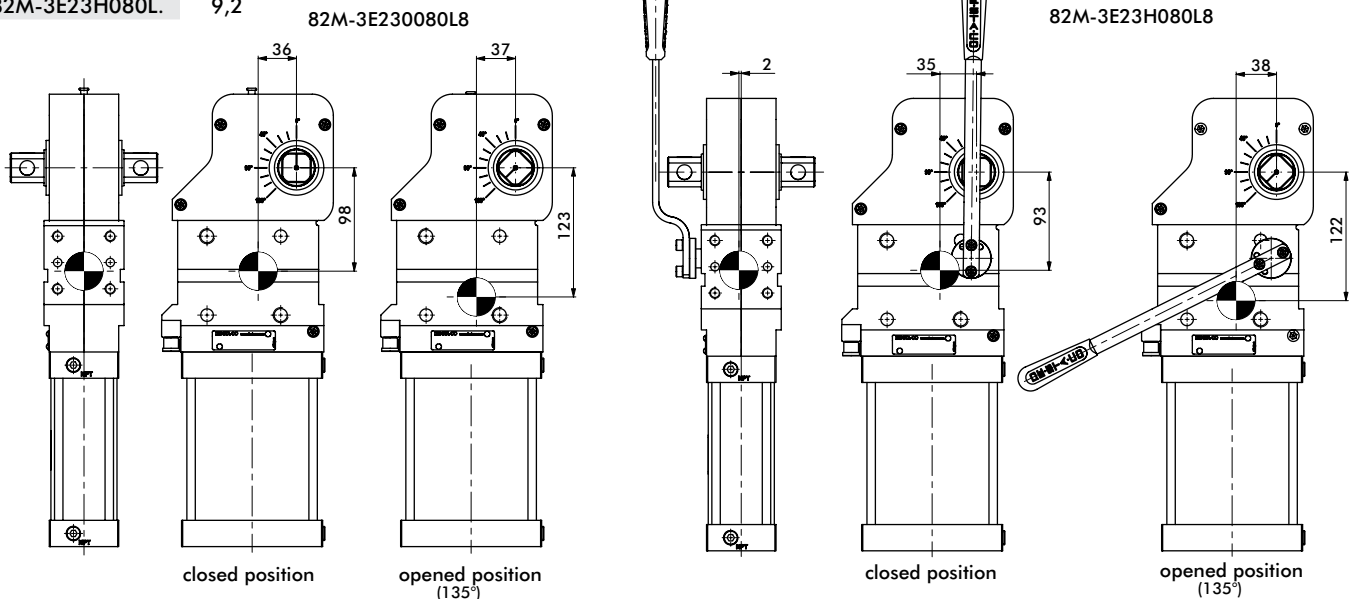
Model	Connection (C)	Max. Holding Torque (Nm)	Clamping Torque at 5 bar (Nm)	Cylinder Ø (mm)	Weight (kg)	Air Consumption per double stroke at 5 bar (liter)
82M-3E....80..	G 1/4	3000	850	80	8,7	6,3
82M-3E....8N..	1/4-18 NPT					



ATTENTION:
Calculation tool available. Please consult factory.

Center of Mass

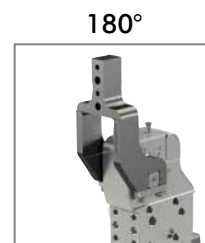
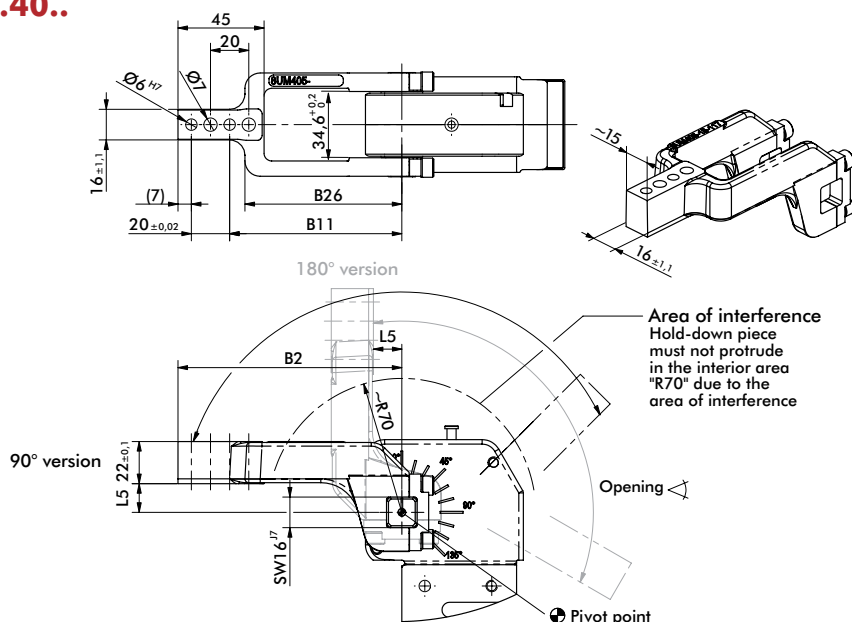
Model	Weight (kg)
82M-3E230080L.	8,7
82M-3E23H080L.	9,2



U-ARMS CENTER (ALUMINUM)

Pneumatic Power Clamps | Dimensions | Technical Specifications

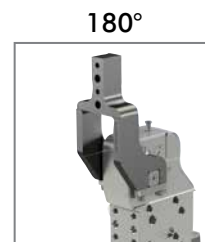
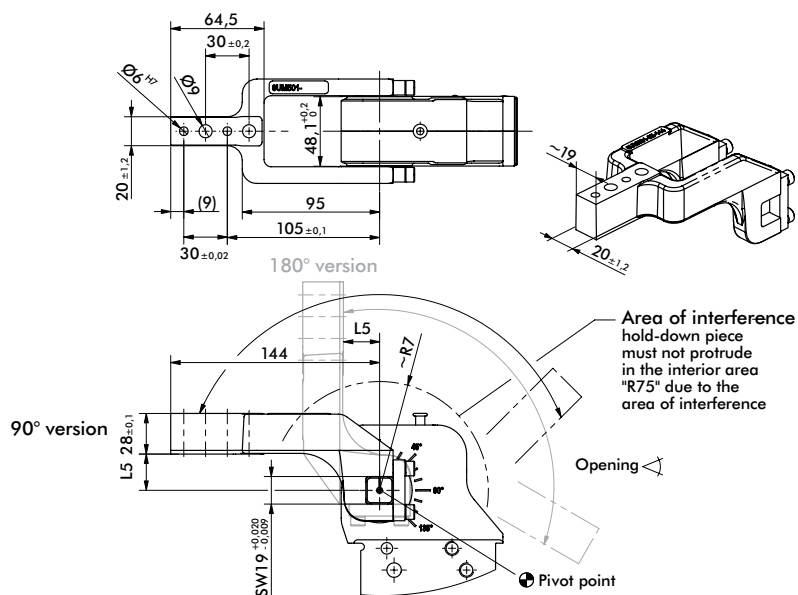
82M-3E....40..



8UM405-00-117
8UM405-15-117
8UM405-25-117
8UM405-45-107

Arm Model No.	Max. Opening 90° Version	Max. Opening 180° Version	Weight (kg)	B2	B11 ±0,1	B26	L5
8UM404-00-117		105°	0,23				0
8UM404-15-117	135°	120°	0,24	117	90	82	15
8UM404-25-117			0,25				25
8UM404-45-107	130°	135°	0,24	107	80	72	45

82M-3E....5...



8UM501-15-144
8UM501-25-144
8UM501-45-144

Arm Model No.	Max. Opening 90° Version	Max. Opening 180° Version	Weight (kg)	L5
8UM504-15-144		105°	0,44	15
8UM504-25-144	135°	120°	0,45	25
8UM504-45-144		135°	0,48	45

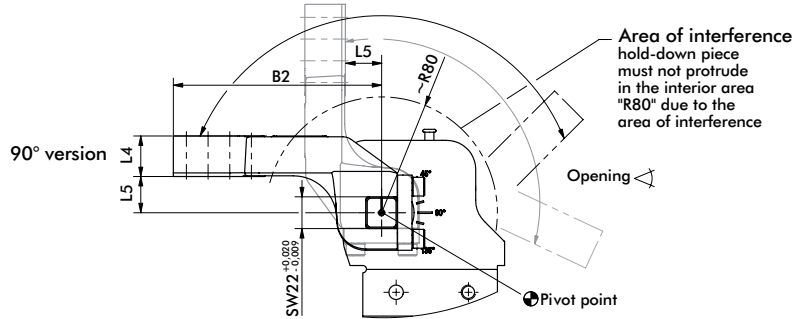
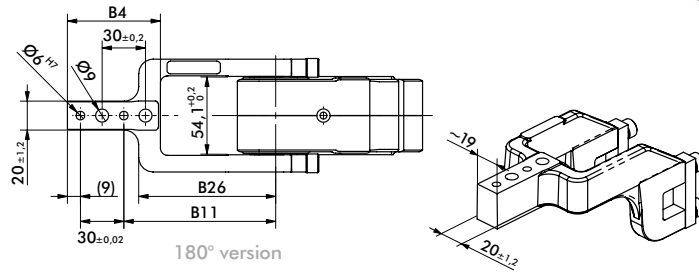
U-ARMS CENTER (ALUMINUM)

Pneumatic Power Clamps | Dimensions | Technical Specifications

82M-3...6...



8UM631-15-144
8UM631-25-144
8UM631-45-144
8UM631-75-204



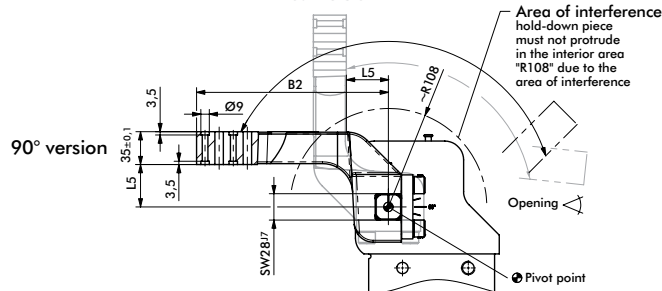
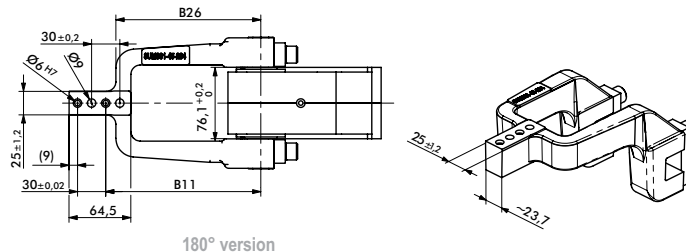
Arm Model No.	Max. Opening 90° Version	Max. Opening 180° Version	Weight (kg)	B2	B4	B11 ±0,1	B26	L4 ±0,1	L5
8UM631-15-144	135°	105°	0,50						15
8UM631-25-144		120°	0,53	144	64,5	105	90,5	28	25
8UM631-45-144		135°	0,56						45
8UM631-75-204*		1,7	204	82	165	107	30	75	

* only steel version available.

82M-3E...8...



8JG-169-2-01
8UM801-45-204



Arm Model No.	Max. Opening 90° Version	Max. Opening 180° Version	Weight (kg)	B2	B11 ±0,1	B26	L5** ±0,2
8JG-169-2-01	135°	105°	3,5	179	140	129	20
8UM801-45-204*		135°	4,1	204	165	154	45

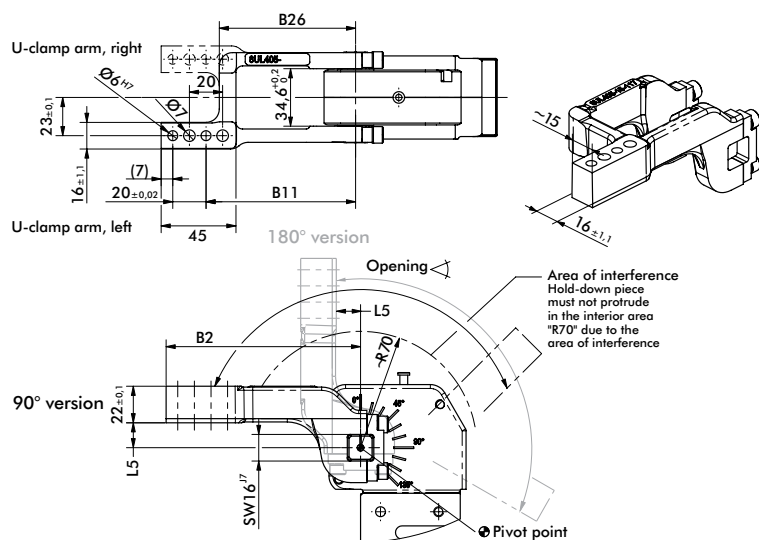
*only steel version available.

** Tolerance measured 80mm from pivot point.

U-ARMS OFFSET (ALUMINUM)

Pneumatic Power Clamps | Dimensions | Technical Specifications

82M-3E...40..



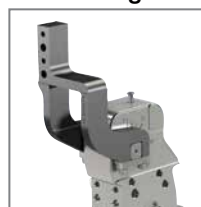
90° Left



90° Right



180° Right*



180° Left*



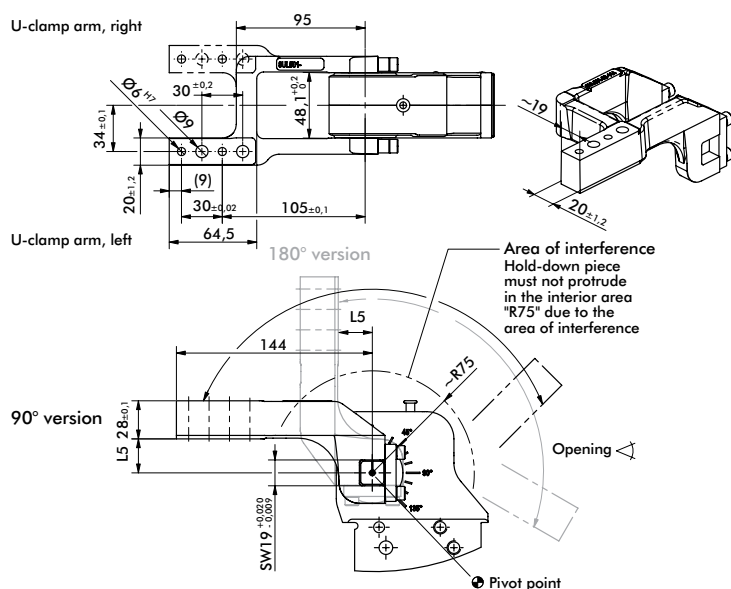
8UL404-00-117
8UL404-15-117
8UL404-25-117
8UL404-45-107

8UR404-00-117
8UR404-15-117
8UR404-25-117
8UR404-45-107

*90° left/180° right uses same clamp arm.
90° right/180° left uses same clamp arm.

Arm Model No.	Max. Opening 90° Version	Max. Opening 180° Version	Weight (kg)	B2	B11 ±0,1	B26	L5
8U(•)404-00-117		105°	0,23				0
8U(•)404-15-117	135°	120°	0,24	117	90	82	15
8U(•)404-25-117		135°	0,25				25
8U(•)404-45-107	130°		0,25	107	80	72	45

82M-3E...5...



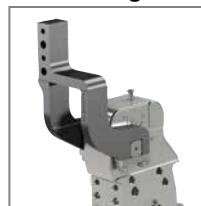
90° Left



90° Right



180° Right*



180° Left*



8UL504-15-144
8UL504-25-144
8UL504-45-144

8UR504-15-144
8UR504-25-144
8UR504-45-144

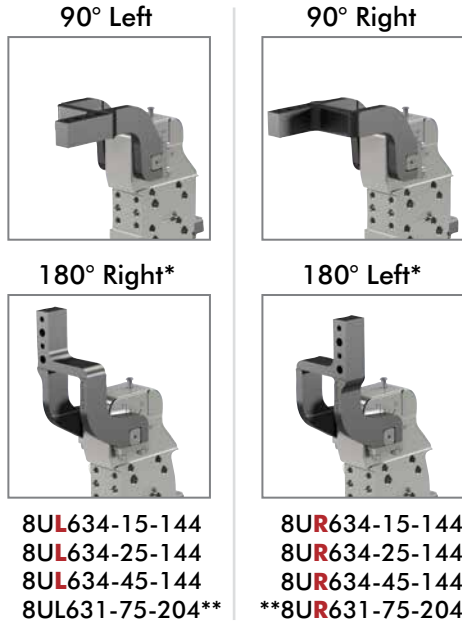
*90° left/180° right uses same clamp arm.
90° right/180° left uses same clamp arm.

Arm Model No.	Max. Opening 90° Version	Max. Opening 180° Version	Weight (kg)	L5
8U(•)504-15-144		105°	0,45	15
8U(•)504-25-144	135°	120°	0,46	25
8U(•)504-45-144		135°	0,49	45

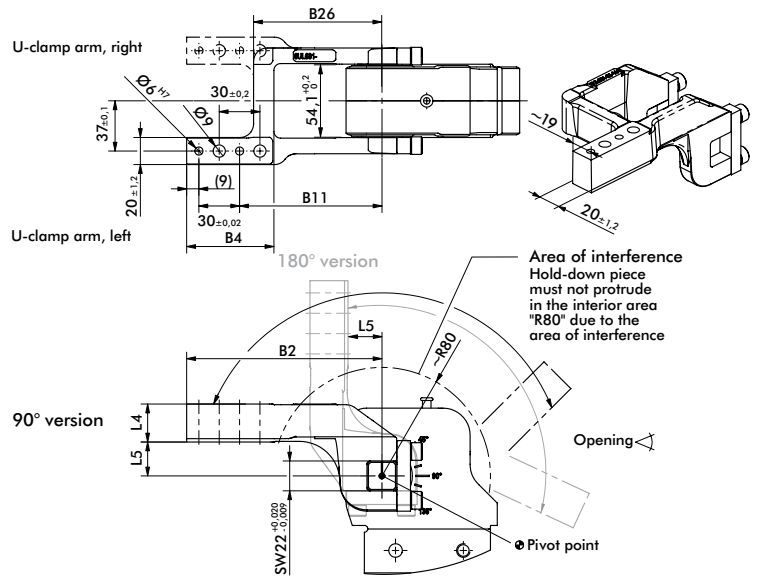
U-ARMS OFFSET (ALUMINUM)

Pneumatic Power Clamps | Dimensions | Technical Specifications

82M-3...6...



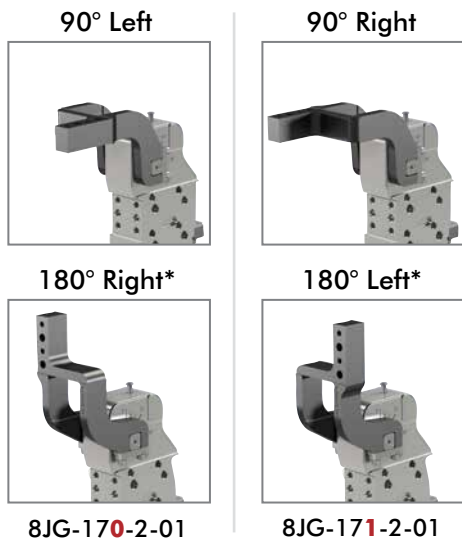
*90° left/180° right uses same clamp arm.
90° right/180° left uses same clamp arm.



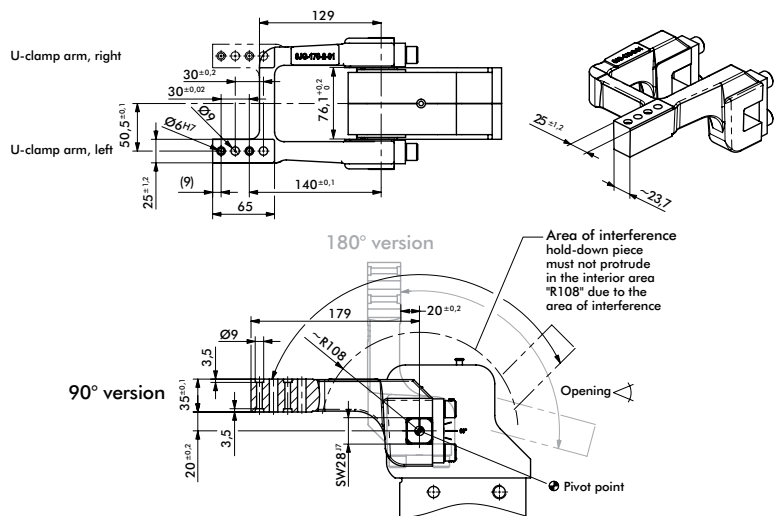
Arm Model No.	Max. Opening 90° Version	Max. Opening 180° Version	Weight (kg)	B2	B4	B11 ±0,1	B26	L4 ±0,1	L5
8U(•)634-15-144	135°	105°	0,52	144	64,5	105	90,5	28	15
8U(•)634-25-144		120°	0,54						25
8U(•)634-45-144		135°	0,58	45					
8U(•)631-75-204**		1,9	204	82	165	119	30	75	

** only steel version available.

82M-3E...8...



*90° left/180° right uses same clamp arm.
90° right/180° left uses same clamp arm.



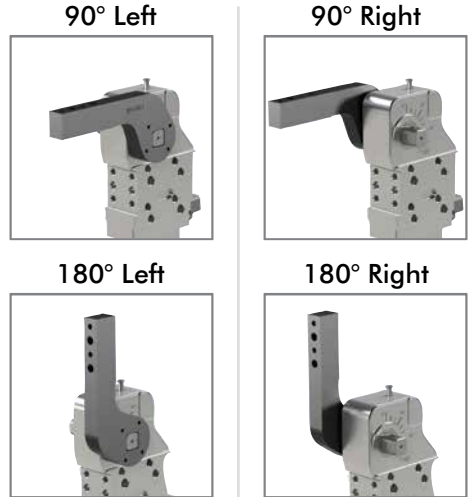
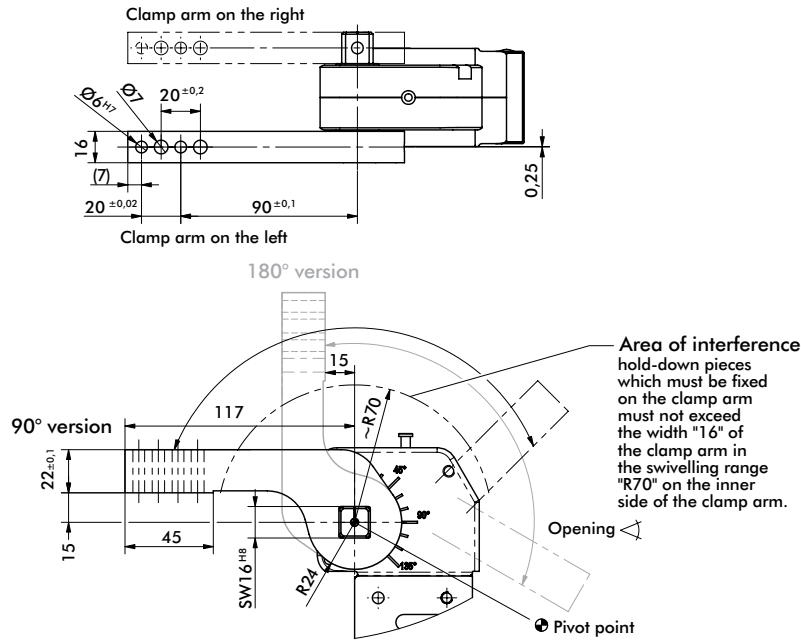
Arm Model No.	Max. Opening 90° Version	Max. Opening 180° Version	Weight (kg)
8JG-17(•)-2-01**	135°	105°	3,5

**only steel version available.

LATERAL (SIDE) ARMS

Pneumatic Power Clamps | Dimensions | Technical Specifications

82M-3E....40..

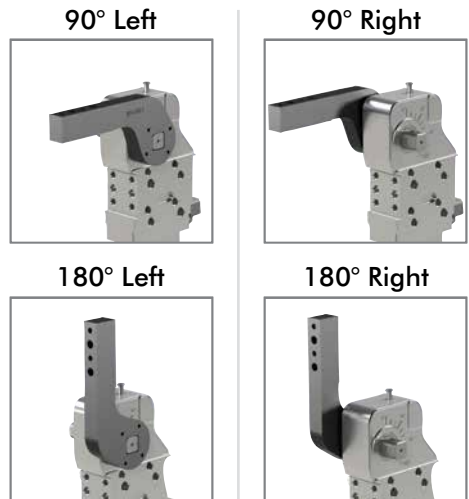
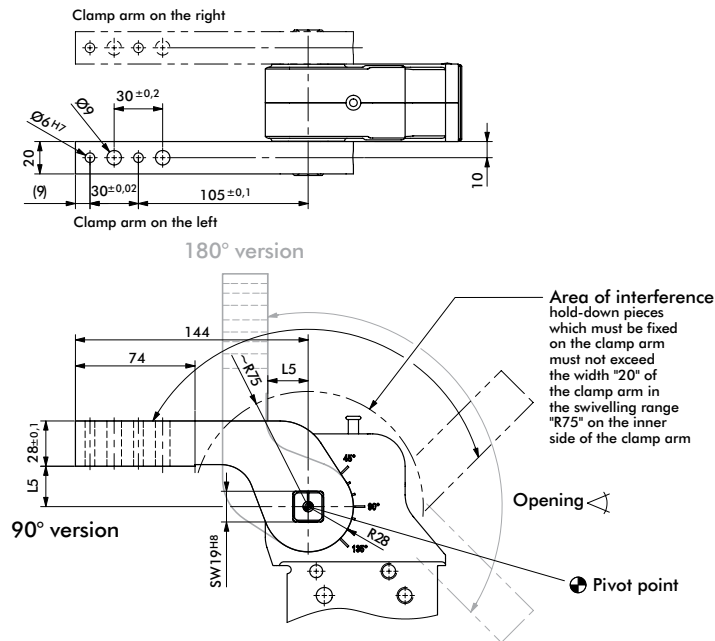


8S401-15-117

Arm Model No.	Max. Opening 90° Version	Max. Opening 180° Version	Weight (kg)
8S401-15-117	135°	120°	0,5

Models with 2 lateral clamp arms requires 2 clamp arm sets.

82M-3E....5...



8JG-070-1-01
8S501-25-144

Arm Model No.	Max. Opening 90° Version	Max. Opening 180° Version	Weight (kg)	L5
8JG-070-1-01	135°	135°	0,9	15
8S501-25-144			1,0	25

Models with 2 lateral clamp arms requires 2 clamp arm sets.

LATERAL (SIDE) ARMS

Pneumatic Power Clamps | Dimensions | Technical Specifications

82M-3...6...

90° Left



90° Right



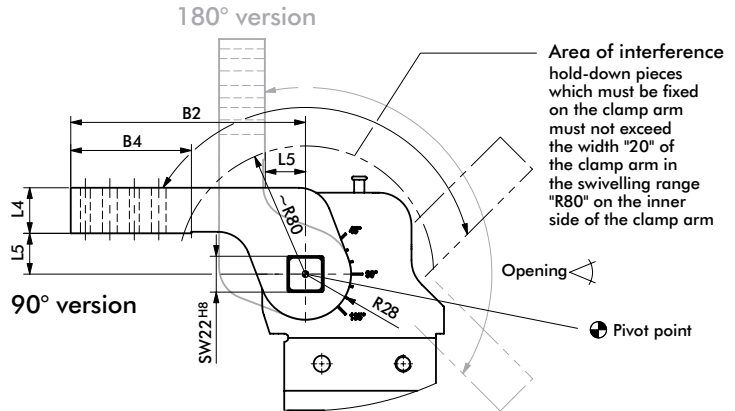
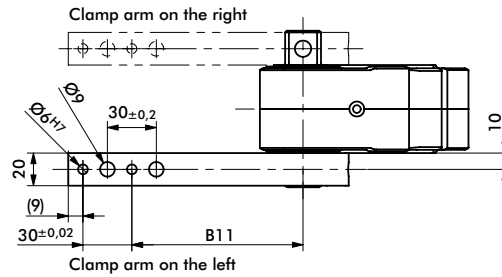
180° Left



180° Right



8JG-080-1-01
8S631-25-144
8S631-45-144
8S631-75-204



Arm Model No.	Max. Opening 90° Version	Max. Opening 180° Version	Weight (kg)	B2	B4	B11 ±0,1	L4 ±0,1	L5
8JG-080-1-01	135°	135°	0,9	144	74	105	28	15
8S631-25-144			1,0					25
8S631-45-144			1,1					45
8S631-75-204			1,5					75

Models with 2 lateral clamp arms requires 2 clamp arm sets.

82M-3E...8...

90° Left



90° Right



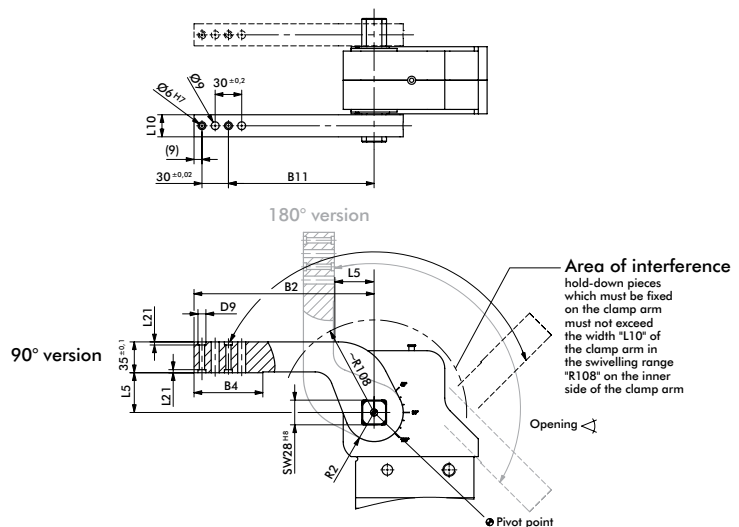
180° Left



180° Right



8JG-1179-1-01
8S801-45-204



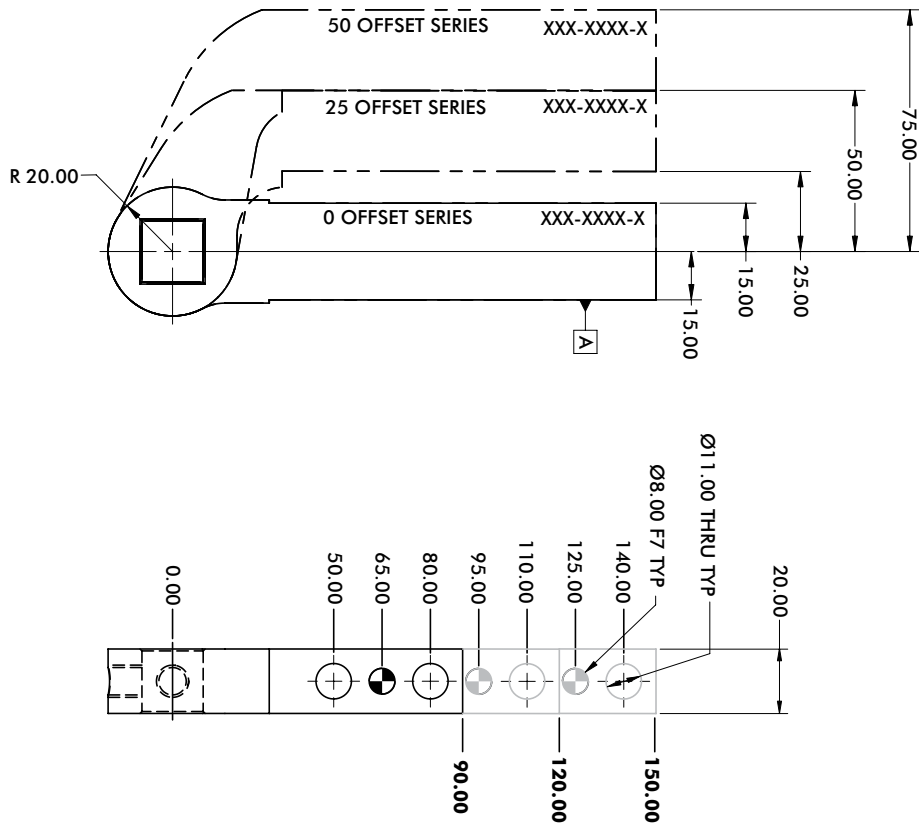
Arm Model No.	Max. Opening 90° Version	Max. Opening 180° Version	Weight (kg)	B2	B4	D9	B11 ±0,1	L5	L10	L21	R2
8JG-1179-1-01	135°	135°	2,1	179	74	-	140	20	30	-	35
8S801-45-204				204	78	9	165	45	25	3,5	33

Models with 2 lateral clamp arms requires 2 clamp arm sets.

LATERAL (SIDE) ARMS, NAAMS-STYLE

Pneumatic Power Clamps | Dimensions | Technical Specifications

82M-3E 50mm



9mm Thru Hole (6.00 H7 Dowel)

90mm [3.54"] Arm Length			120mm [4.72"] Arm Length			150mm [5.90"] Arm Length		
Series	Arm Style	Model	Series	Arm Style	Model	Series	Arm Style	Model
50 Offset	▲ • 3256	B8JG-3256-1	50 Offset	▲ • 3257	B8JG-3257-1	50 Offset	▲ • 3258	B8JG-3258-1
25 Offset	▲ • 3246	B8JG-3246-1	25 Offset	▲ • 3247	B8JG-3247-1	25 Offset	▲ • 3248	B8JG-3248-1
0 Offset	▲ • 3236	B8JG-3236-1	0 Offset	▲ • 3237	B8JG-3237-1	0 Offset	▲ • 3238	B8JG-3238-1

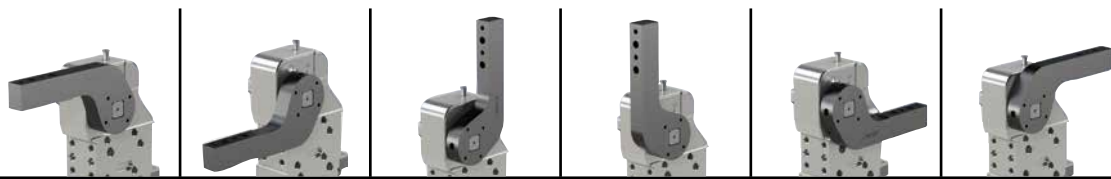
11mm Thru Hole (8.00 F7 Dowel)

90mm [3.54"] Arm Length			120mm [4.72"] Arm Length			150mm [5.90"] Arm Length		
Series	Arm Style	Model	Series	Arm Style	Model	Series	Arm Style	Model
50 Offset	▲ • 1226	B8JG-1226-1	50 Offset	▲ • 1227	B8JG-1227-1	50 Offset	▲ • 1228	B8JG-1228-1
25 Offset	▲ • 1216	B8JG-1216-1	25 Offset	▲ • 1217	B8JG-1217-1	25 Offset	▲ • 1218	B8JG-1218-1
0 Offset	▲ • 1206	B8JG-1206-1	0 Offset	▲ • 1207	B8JG-1207-1	0 Offset	▲ • 1208	B8JG-1208-1

▲ Common in North America

(•) STANDARD ARM OFFERING

Maximum Opening Angle (shown in locked position)

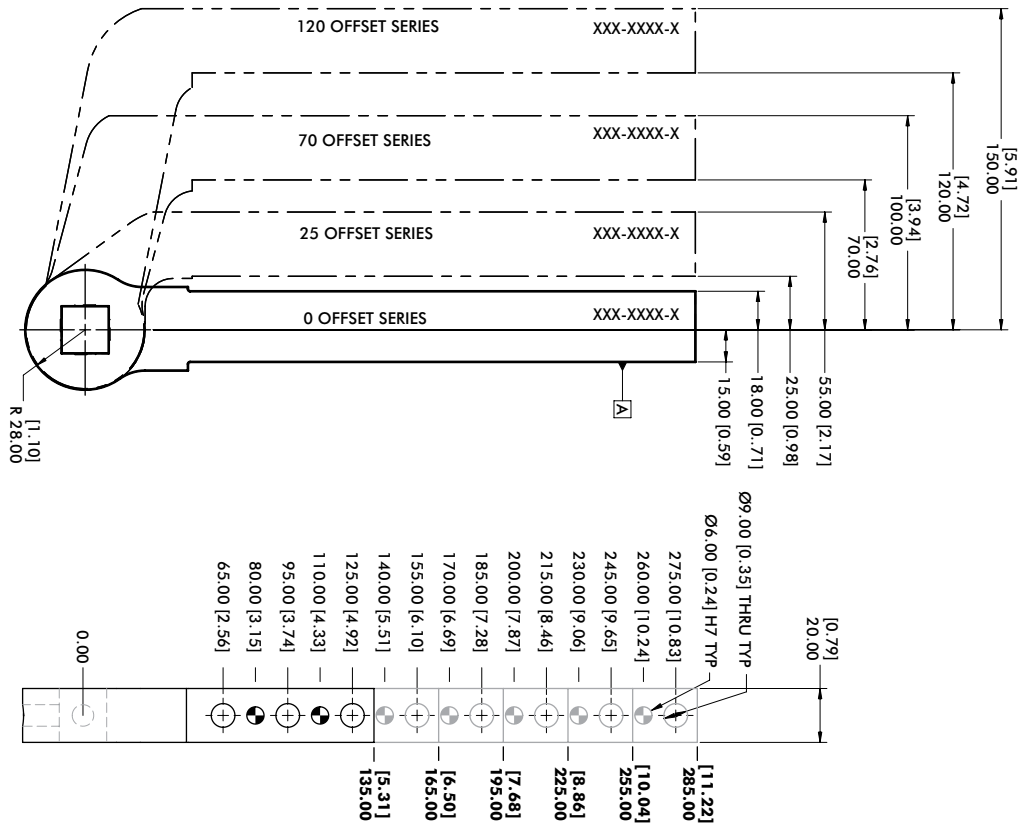


Arm Styles	1206-1208/3236-3238	1216-1218/3246-3248	1226-1228/3256-3258	1206-1207	1216-1217	1226-1227	1206-1208	1216-1218	1226-1228
1206-1208/3236-3238	135°	135°	100°	100°	N/A	N/A	N/A	N/A	N/A
1216-1218/3246-3248	135°	N/A	50°	125°	N/A	30°	N/A	N/A	30°
1226-1228/3256-3258	125°	N/A	35°	135°	N/A	50°	N/A	N/A	50°

LATERAL (SIDE) ARMS, NAAMS-STYLE

Pneumatic Power Clamps | Dimensions | Technical Specifications

82M-3. 63mm for 23 Clamp Arm Shaft Option



135mm [5.31"] Arm Length

Series	Arm Style	Model
120 Offset	▲ 1543	B8JG-1543-1
70 Offset	▲ 1531	B8JG-1531-1
25 Offset	▲ 1519	B8JG-1519-1
0 Offset	▲ 1507	B8JG-1507-1

165mm [6.50"] Arm Length

Series	Arm Style	Model
120 Offset	▲ 1544	B8JG-1544-1
70 Offset	▲ 1532	B8JG-1532-1
25 Offset	▲ 1520	B8JG-1520-1
0 Offset	▲ 1508	B8JG-1508-1

195mm [7.68"] Arm Length

Series	Arm Style	Model
120 Offset	▲ 1545	B8JG-1545-1
70 Offset	▲ 1533	B8JG-1533-1
25 Offset	▲ 1521	B8JG-1521-1
0 Offset	▲ 1509	B8JG-1509-1

225mm [8.86"] Arm Length

Series	Arm Style	Model
120 Offset	▲ 1546	B8JG-1546-1
70 Offset	▲ 1534	B8JG-1534-1
25 Offset	▲ 1522	B8JG-1522-1
0 Offset	▲ 1510	B8JG-1510-1

255mm [10.04"] Arm Length

Series	Arm Style	Model
120 Offset	▲ 1547	B8JG-1547-1
70 Offset	▲ 1535	B8JG-1535-1
25 Offset	▲ 1523	B8JG-1523-1
0 Offset	▲ 1511	B8JG-1511-1

285mm [11.22"] Arm Length

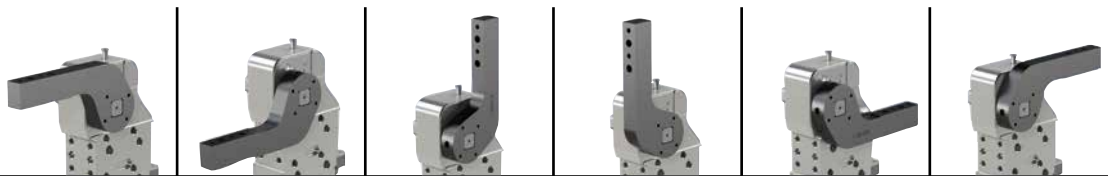
Series	Arm Style	Model
120 Offset	▲ 1548	B8JG-1548-1
70 Offset	▲ 1536	B8JG-1536-1
25 Offset	▲ 1524	B8JG-1524-1
0 Offset	▲ 1512	B8JG-1512-1

▲ Common in North America

(•) STANDARD ARM OFFERING

(i) NON-STANDARD ARM OFFERING (extended leadtimes apply)

Maximum Opening Angle (shown in locked position)

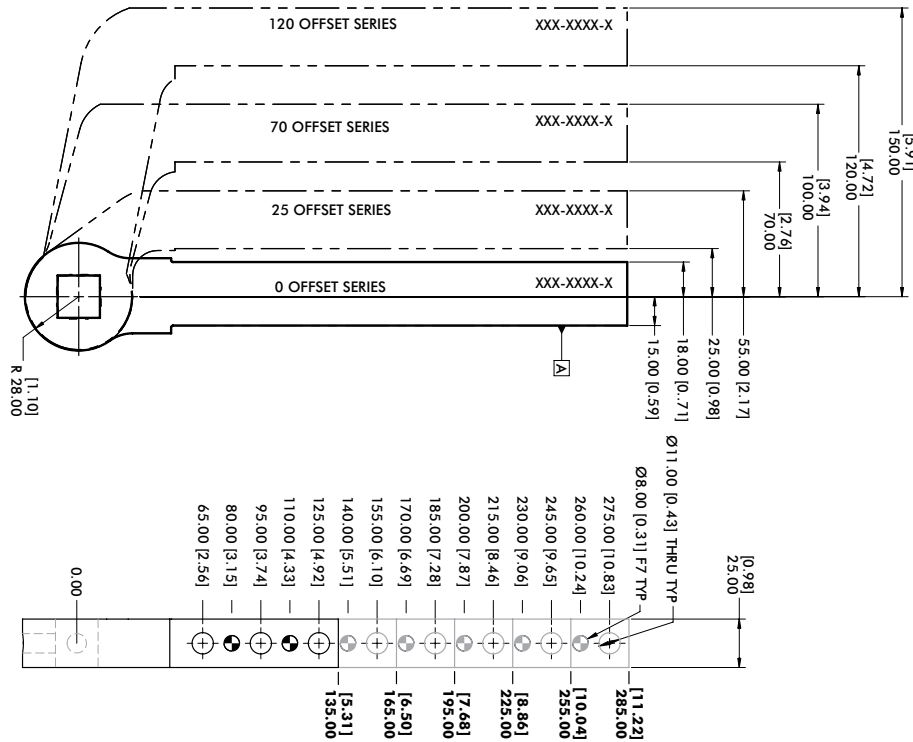


Arm Styles	Model 1	Model 2	Model 3	Model 4	Model 5	Model 6
1510-1512/1507-1509	135°	135°	100°	100°	N/A	N/A
1522-1524/1519-1521	135°	N/A	50°	130°	N/A	40°
1534-1536/1531-1533	115°	N/A	25°	135°	N/A	75°
1546-1548/1543-1545	110°	N/A	20°	135°	N/A	85°

LATERAL (SIDE) ARMS, NAAMS-STYLE

Pneumatic Power Clamps | Dimensions | Technical Specifications

82M-3. 63mm for D0 Clamp Arm Shaft Option



135mm [5.31"] Arm Length

Series	Arm Style	Model
120 Offset	▲ • 1043	B8JG-1043-1
70 Offset	▲ • 1031	B8JG-1031-1
25 Offset	▲ • 1019	B8JG-1019-1
0 Offset	▲ • 1007	B8JG-1007-1

165mm [6.50"] Arm Length

Series	Arm Style	Model
120 Offset	▲ ⓘ 1044	B8JG-1044-1
70 Offset	▲ • 1032	B8JG-1032-1
25 Offset	▲ • 1020	B8JG-1020-1
0 Offset	▲ • 1008	B8JG-1008-1

195mm [7.68"] Arm Length

Series	Arm Style	Model
120 Offset	▲ ⓘ 1045	B8JG-1045-1
70 Offset	▲ • 1033	B8JG-1033-1
25 Offset	▲ ⓘ 1021	B8JG-1021-1
0 Offset	▲ • 1009	B8JG-1009-1

225mm [8.86"] Arm Length

Series	Arm Style	Model
120 Offset	▲ ⓘ 1046	B8JG-1046-1
70 Offset	▲ • 1034	B8JG-1034-1
25 Offset	▲ ⓘ 1022	B8JG-1022-1
0 Offset	▲ ⓘ 1010	B8JG-1010-1

255mm [10.04"] Arm Length

Series	Arm Style	Model
120 Offset	▲ ⓘ 1047	B8JG-1047-1
70 Offset	▲ • 1035	B8JG-1035-1
25 Offset	▲ ⓘ 1023	B8JG-1023-1
0 Offset	▲ ⓘ 1011	B8JG-1011-1

285mm [11.22"] Arm Length

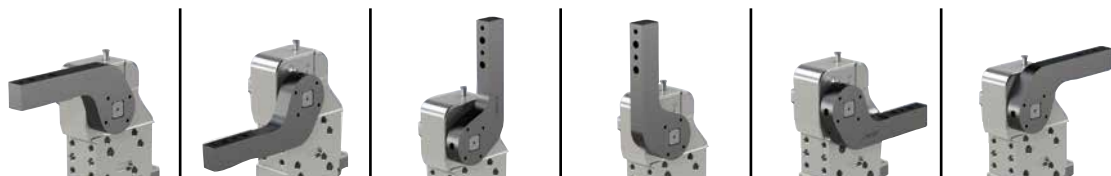
Series	Arm Style	Model
120 Offset	▲ ⓘ 1048	B8JG-1048-1
70 Offset	▲ ⓘ 1036	B8JG-1036-1
25 Offset	▲ ⓘ 1024	B8JG-1024-1
0 Offset	▲ ⓘ 1012	B8JG-1012-1

▲ Common in North America

(•) STANDARD ARM OFFERING

(ⓘ) NON-STANDARD ARM OFFERING (extended leadtimes apply)

Maximum Opening Angle (shown in locked position)

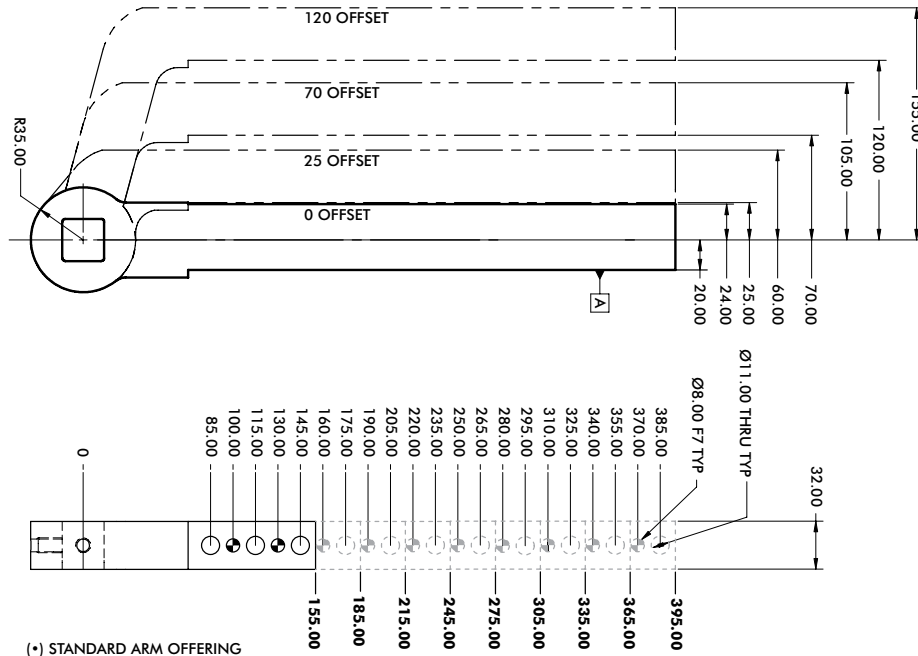


Arm Styles	1	2	3	4	5	6
1010-1012/1007-1009	135°	135°	100°	100°	N/A	N/A
1022-1024/1019-1021	135°	N/A	50°	130°	N/A	40°
1034-1036/1031-1033	115°	N/A	25°	135°	N/A	75°
1046-1048/1043-1045	110°	N/A	20°	135°	N/A	85°

LATERAL (SIDE) ARMS, NAAMS-STYLE

Pneumatic Power Clamps | Dimensions | Technical Specifications

82M-3E 80mm



155mm [4.53"] Arm Length

Series	Arm Style	Model
120 Offset	▲ ⓘ 1170	B8JG-1170-1
70 Offset	▲ • 1150	B8JG-1150-1
25 Offset	▲ ⓘ 1130	B8JG-1130-1
0 Offset	▲ ⓘ 1110	B8JG-1110-1

185mm [7.28"] Arm Length

Series	Arm Style	Model
120 Offset	▲ ⓘ 1171	B8JG-1171-1
70 Offset	▲ ⓘ 1151	B8JG-1151-1
25 Offset	▲ ⓘ 1131	B8JG-1131-1
0 Offset	▲ ⓘ 1111	B8JG-1111-1

215mm [8.46"] Arm Length

Series	Arm Style	Model
120 Offset	▲ ⓘ 1172	B8JG-1172-1
70 Offset	▲ ⓘ 1152	B8JG-1152-1
25 Offset	▲ ⓘ 1132	B8JG-1132-1
0 Offset	▲ • 1112	B8JG-1112-1

245mm [9.65"] Arm Length

Series	Arm Style	Model
120 Offset	▲ ⓘ 1173	B8JG-1173-1
70 Offset	▲ ⓘ 1153	B8JG-1153-1
25 Offset	▲ ⓘ 1133	B8JG-1133-1
0 Offset	▲ ⓘ 1113	B8JG-1113-1

275mm [10.83"] Arm Length

Series	Arm Style	Model
120 Offset	▲ ⓘ 1174	B8JG-1174-1
70 Offset	▲ ⓘ 1154	B8JG-1154-1
25 Offset	▲ • 1134	B8JG-1134-1
0 Offset	▲ ⓘ 1114	B8JG-1114-1

305mm [12.00"] Arm Length

Series	Arm Style	Model
120 Offset	▲ ⓘ 1175	B8JG-1175-1
70 Offset	▲ • 1155	B8JG-1155-1
25 Offset	▲ ⓘ 1135	B8JG-1135-1
0 Offset	▲ ⓘ 1115	B8JG-1115-1

335mm [13.19"] Arm Length

Series	Arm Style	Model
120 Offset	▲ ⓘ 1176	B8JG-1176-1
70 Offset	▲ ⓘ 1156	B8JG-1156-1
25 Offset	▲ ⓘ 1136	B8JG-1136-1
0 Offset	▲ ⓘ 1116	B8JG-1116-1

365mm [14.37"] Arm Length

Series	Arm Style	Model
120 Offset	▲ ⓘ 1177	B8JG-1177-1
70 Offset	▲ ⓘ 1157	B8JG-1157-1
25 Offset	▲ ⓘ 1137	B8JG-1137-1
0 Offset	▲ ⓘ 1117	B8JG-1117-1

395mm [15.55"] Arm Length

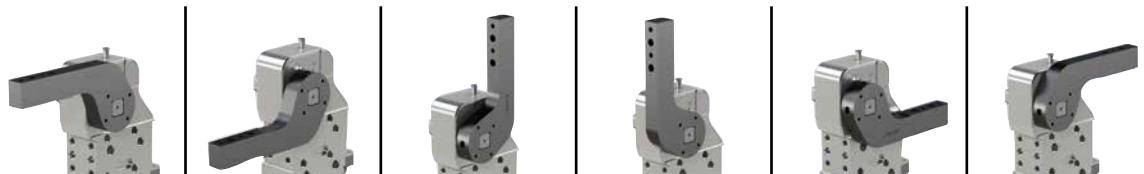
Series	Arm Style	Model
120 Offset	▲ ⓘ 1178	B8JG-1178-1
70 Offset	▲ • 1158	B8JG-1158-1
25 Offset	▲ ⓘ 1138	B8JG-1138-1
0 Offset	▲ • 1118	B8JG-1118-1

▲ Common in North America

(*) STANDARD ARM OFFERING

ⓘ NON-STANDARD ARM OFFERING (extended leadtimes apply)

Maximum Opening Angle (shown in locked position)

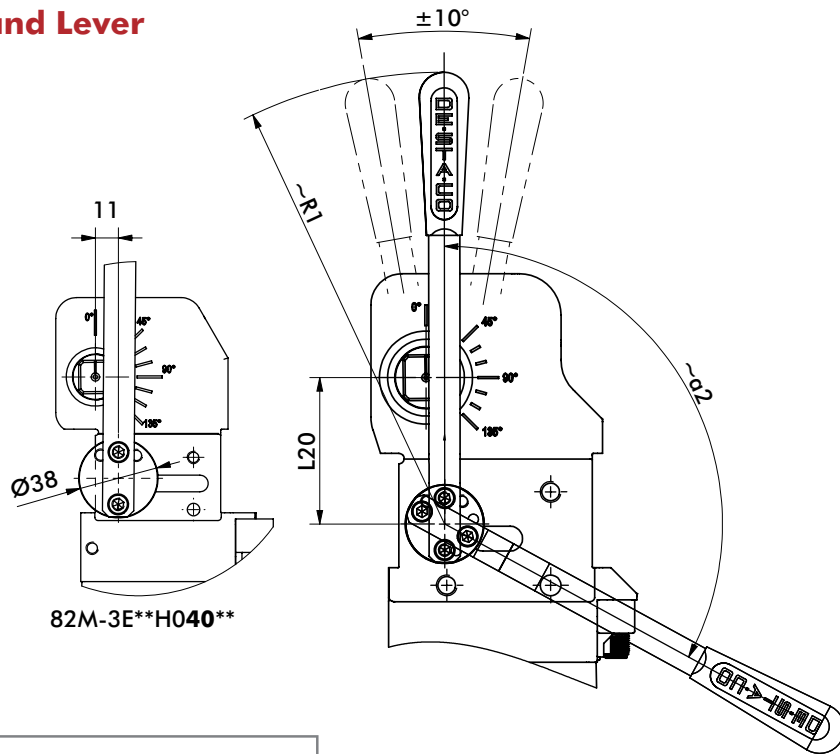


Arm Styles	1110 - 1118	1130 - 1138	1150 - 1158	1170 - 1178	1190 - 1198	1210 - 1218
1110 - 1118	135°	135°	100°	100°	N/A	N/A
1130 - 1138	135°	N/A	60°	120°	N/A	30°
1150 - 1158	125°	N/A	35°	135°	N/A	55°
1170 - 1178	115°	N/A	25°	135°	N/A	80°

82M-3E ACCESSORIES

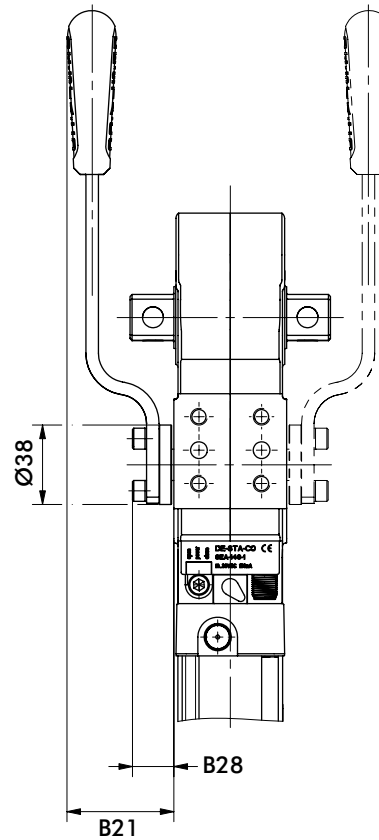
Pneumatic Power Clamps | Dimensions | Technical Specifications

Hand Lever

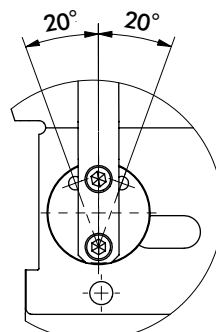
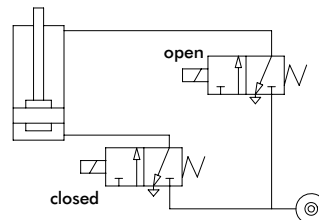


82M-3E**H040**

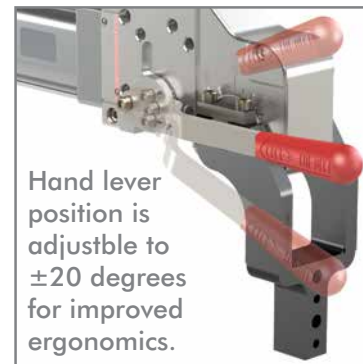
Hand lever left Hand lever right



Pneumatic circuit required for manual and pneumatic actuation.



Hand lever can be mounted in 3 positions



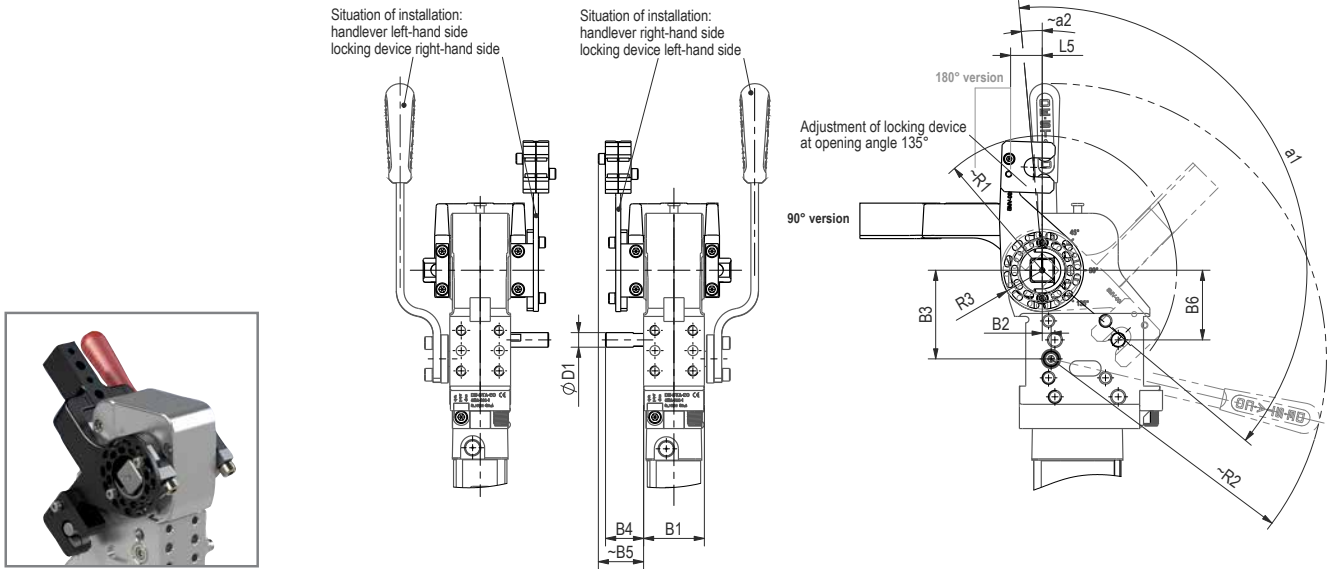
Hand lever position is adjustable to ± 20 degrees for improved ergonomics.

Model No.	Swivel Angle $\alpha 2$ (with reference to opening angle of clamp arm)													
	B21	B28	L20	~R1	0°	15°	30°	45°	60°	75°	90°	105°	120°	135°
82M-3E..H040..	27	24	48,5	190	0°	31°	41°	49°	58°	69°	88°	113°	134°	144°
82M-3E..H05...	52	20	70	218	1°	32°	40°	48°	55°	63°	72°	83°	95°	105°
82M-3E..H06..	52	20	70,5	218	0°	30°	39°	47°	56°	66°	79°	94°	108°	119°
82M-3E..H08..	56	24	82	268	-1°	28°	37°	45°	53°	63°	75°	92°	107°	117°

82M-3E ACCESSORIES

Pneumatic Power Clamps | Dimensions | Technical Specifications

Locking Device for Hand Lever

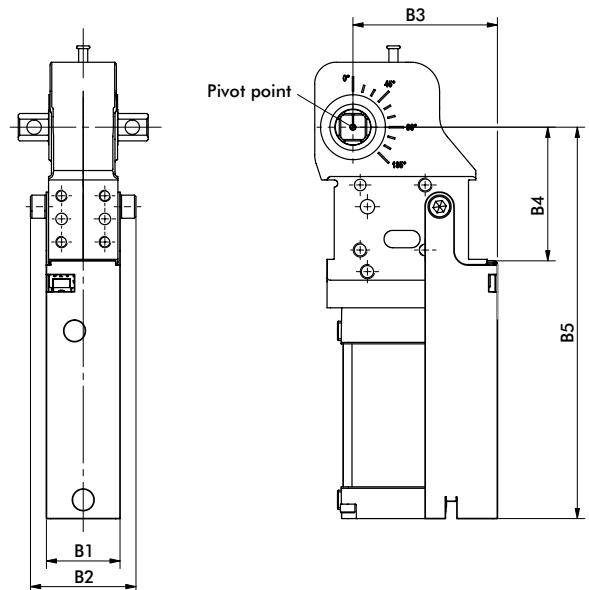


Order No.	For Model	B1	B2	B3	B4	B5	B6	ØD1	R1	R2	R3	a1 max.	a2	Limited setting options at 180° version! Height of the clamping arm: L5		
														00	15	25
82ZB-162-1	82M-3E..H040..	50	11	48,5	25	31	38,5	10,5	81	160	27		6	max.105°	max.120°	max.120°
82ZB-084-1	82M-3E..H05...	48	7	70	30	36	55	11,5	107	218	32,5	135°	6	-	max.105°	max.120°
82ZB-039-1	82M-3E..H06...	54	9	70,5	30	36	55	11,5	107	210	32,5		6	-	max.105°	max.120°



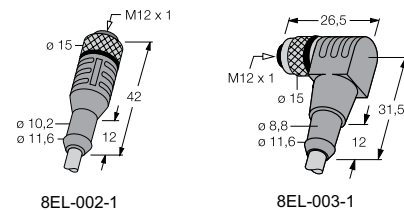
Using of the anti-ramming device is only possible with 82M-3E.....00 and 82M-3E.....L8

Anti-Ramming Device



Order No.	For Model	B1	B2	B3	B4	B5
8AB-151-1	82M-3E....40..	53	66,5	89,5	65,5	210,5
8AB-152-1	82M-3E....5...	51	73	100	92,5	271
8AB-153-1	82M-3E....6...	57	79	120	104,5	296
8AB-154-1	82M-3E....8...	79	105,5	148	142,5	360

Cable and Connector



Order No.	Description
8EL-002-1	M12x1, Straight, 5-pin Connector with 5m Cable
8EL-003-1	M12x1, Angular, 4-pin Connector with 5m Cable