

## NADI Solenoid Valves - Electrical Cable Gland Selection

The female electrical cable gland offered with each IP67 housing, either green or blue, is not featured in the part number. NADI offer three cable gland options: M20 x 1.5mm, 1/2" GK or 1/2" NPT. Please note that the female cable gland options are not part of the NADI part number system. This information is required before we can process an order and the drawings below show where to find this information.

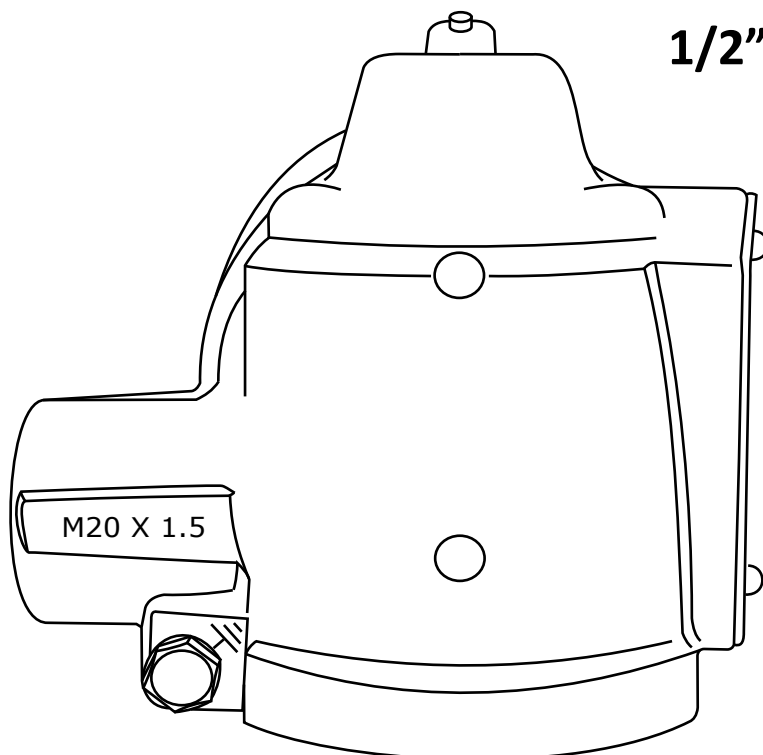
### OPTIONS

- M20\*1.5mm
- 1/2" NPT

**M20\*1.5**



**1/2" NPT**



### Notes:

The gland sizes are NOT referred to in NADI's product codes. They must be identified prior to ordering NADI solenoid valves