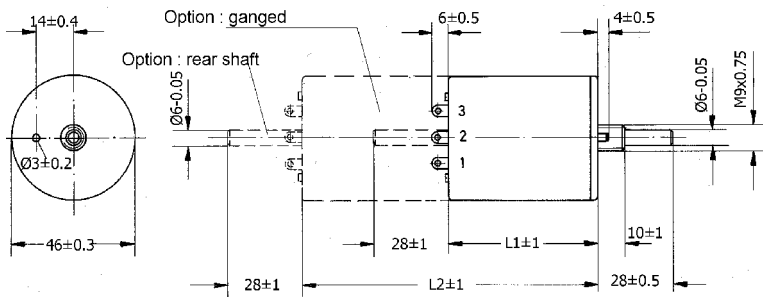


**4603-4605-4610
4615-4620**

**MULTI-TURN
WIREWOUND
POTENTIOMETER**

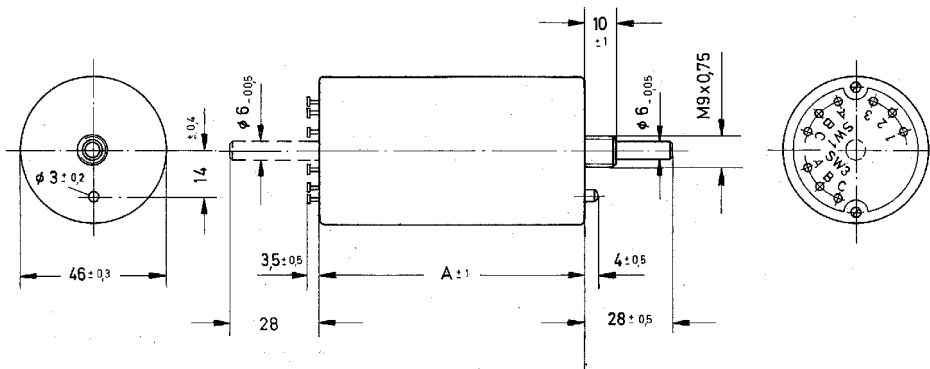
This multi-turn potentiometer is available up to 20 turns.

Tandem version and integrated microswitches are possible.

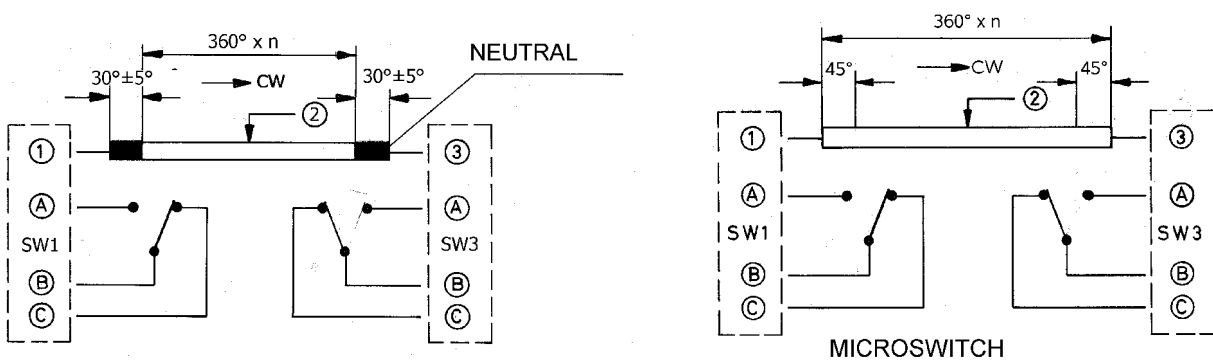


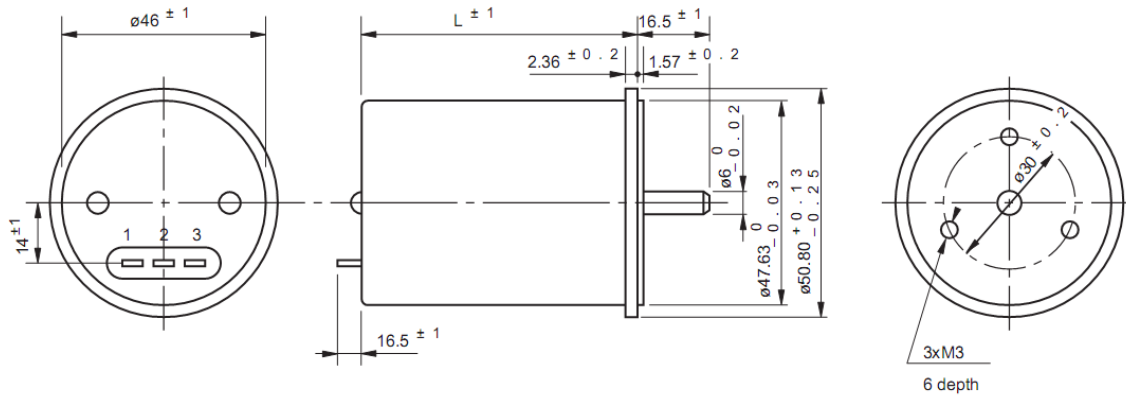
Housing dimensions	4603	4605	4610	4615	4620
Standard version L1 (mm)	39	39	56	75	95
Tandem version L2 (mm)	76	76	111	149	188

- 3 to 20 turns
- Microswitches
- Tandem version
- Bushing or servomount



With micro-switches	4603	4605	4610	4615	4620
A (mm)	67	67	84	103	123





Servomount (HDS)	HDS4603	HDS4605	HDS4610	HDS4615	HDS4620
L(mm)	67	67	84	103	123

Electrical specs	4603	4605	4610	4615	4620
Resistance value (Ω)	0.5-50k	0.5-100k	0.5-200k	0.5-300k	0.5-500k
Standard tolerance (%)	± 5				
Best possible tolerance (%)	± 1				
Standard linearity (%)	± 0.3				
Best possible linearity (%)	± 0.1				
Power at 40°C (0W to 105°C)	2	2.5	5	7.5	10
Electrical angle (°) +5° -0°	1080	1800	3600	5400	7200
Residual – Value < 2kΩ	1 Ω ou 0.2 % (the highest value)				
Value > 2KV	0.1 %				
Insulation	100 MΩ à 1000 VDC				
E.N.R.	< 100 Ω				

Mechanical specs	3	5	10	15	20
Whole turns	3	5	10	15	20
Mechanical stroke (°)	1080	1800	3600	5400	7200
Operating friction (Ncm)	1	1.1	1.2	1.5	2
Rotation torque (Ncm)	0.8	0.9	1	1.2	1.6
Stopper strength (Ncm)	60	60	60	60	60
(mm)	0.3				
Jeu radial (mm)	0.1				
Life time (turns)	2x10 ⁶ for all types and 1x10 ⁶ for values with infinite resolution				
Guiding	2 sleeves				

Environment specs	
Operating temperature (°C)	-55 à 105
Dielectric strength	1000 VAC / 1 min
General conditions	Selon MIL-R-12934

* Maximum voltage is 900VDC, maximum wiper current must be 80mA.
 8 means that the element is made with a resistive wire, not wound and so resolution is infinite'

Versions with microswitches	
Differential angle open/close	25° of the travel
Actuation force	8 N

Switches specs	
Contacts	inverter
Max voltage	125 VDC
Current rating	2 A
Lifetime	2x10 ⁶ cycles (no-load)

Mechanical options : Special shaft (Diam & length)
 Rear shaft
 Multi-ganged version
 1 or 2 microswitches
 Special travels and stops

Electrical options : Better resistance tolerance
 Better linearity