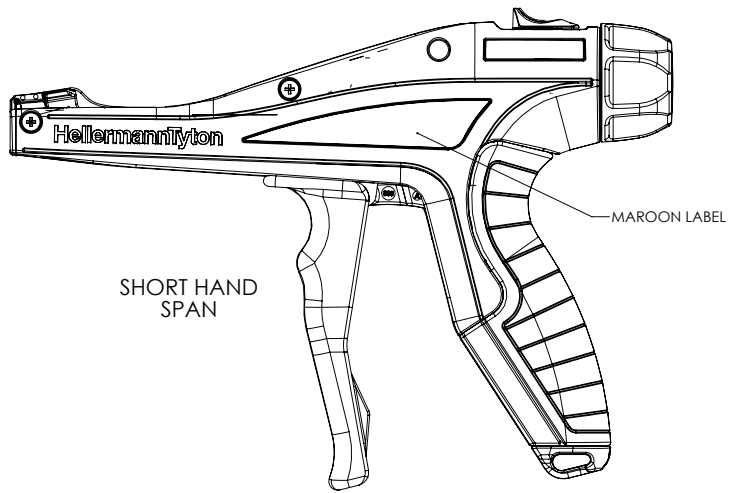
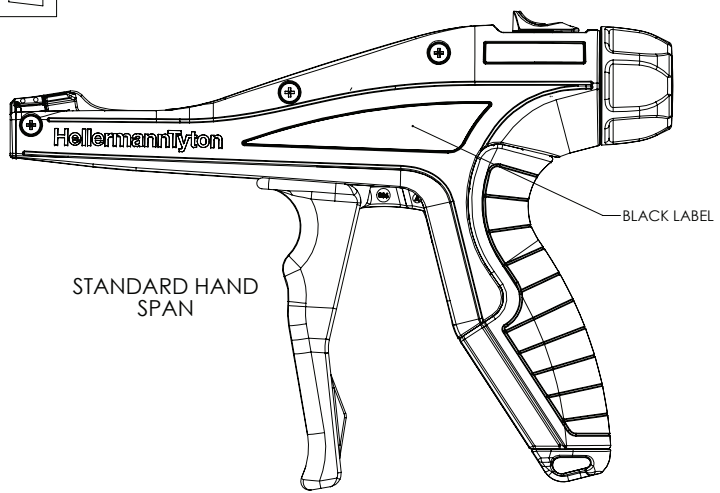


Revision level		Revision Record	Changed	Date	Approved	Date
Drawing	Part					
12	-	SEE ECN# 300081	TJM	03/11/2013	TJM	03/12/2013



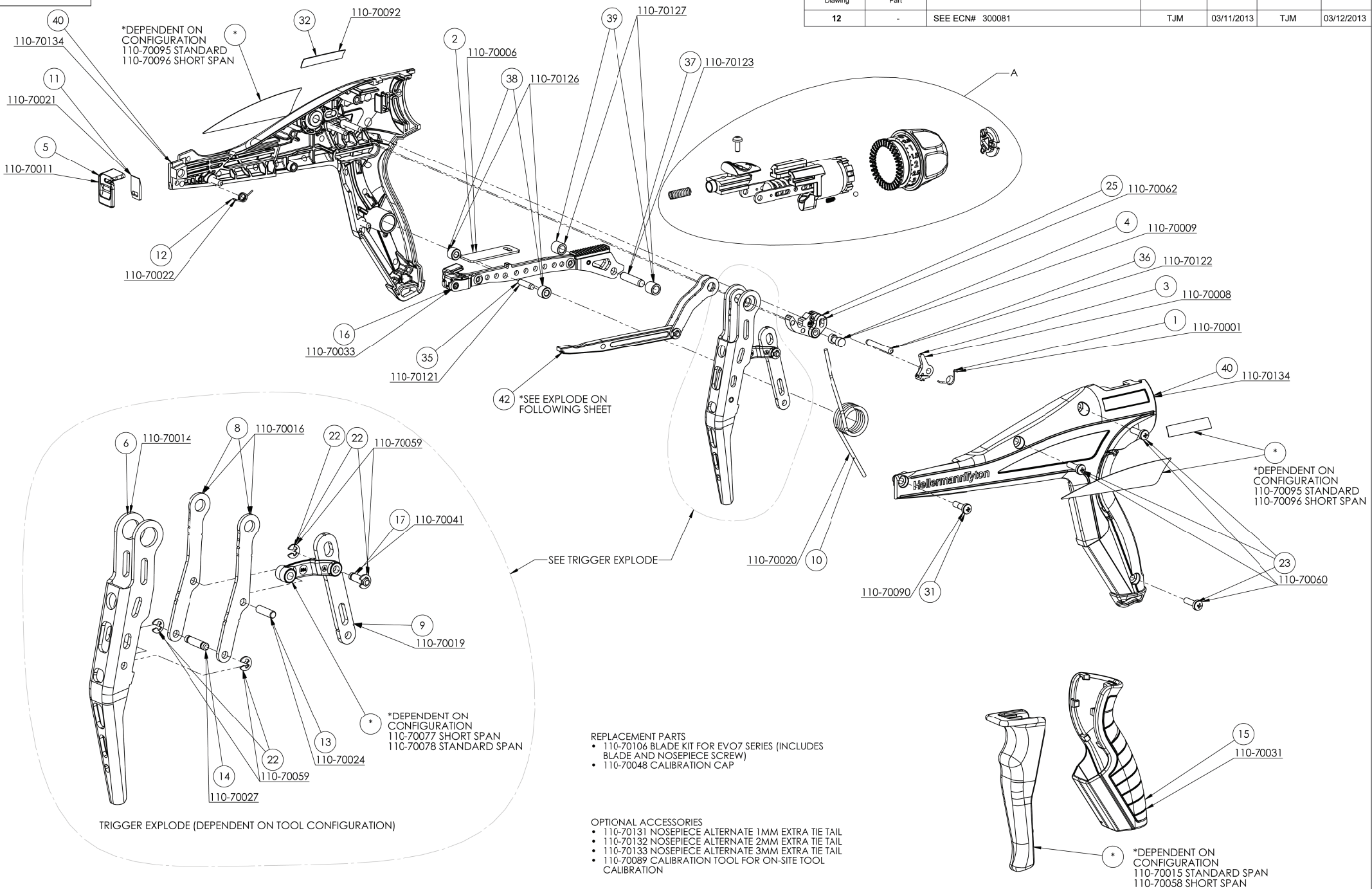
* ITEMS NOTED UNASSIGNED ARE NOT SOLD IN THIS FORM. SEE SHEET 3 FOR ADDITIONAL SUBASSEMBLY BOMS AND REQUIRE PART NUMBERS.

ITEM NO.	STANDARD TENSION STANDARD HAND SPAN/QTY.	STANDARD TENSION SHORT HAND SPAN/QTY.	PART NUMBER	DESCRIPTION	DRAWING NUMBER
1	1	1	110-70001	PINION TORSION SPRING	07-022-376-DTL
2	1	1	110-70006	PAWL COVER FLAT	TS07-022-246DTL
3	1	1	110-70008	PINION 48DP.SLDPRT	TS07-022-256DTL
4	1	1	110-70009	CAM SHAFT FOR SINGLE PIECE CAM	TS07-022-257DTL
5	1	1	110-70011	NOSEPIECE	TS07-022-279-DTL
6	1	1	110-70014	TRIGGER STAMPING FOR GREATER STROKE	TS07-022-296DTL
7	1	-	110-70015	TRIGGER BOOT FOR GREATER STROKE	TS07-022-297DTL
8	2	2	110-70016	INNER LINK FOR GREATER STROKE	TS07-022-298DTL
9	1	1	110-70019	HANDLE LINK CURVED FOR GREATER STROKE	TS07-022-304DTL
10	1	1	110-70020	TRIGGER RETURN SPRING .072 WIRE DIAMETER	TS07-022-307DTL
11	1	1	110-70021	BLADE	TS07-022-308-DTL
12	1	1	110-70022	BLADE RETURN ASSIST SPRING	TS07-022-311 DTL
13	1	1	110-70024	SHORT LINK ATTACHMENT PIN	TS07-022-314-DTL
14	1	1	110-70027	INNER LINK GROOVED ATTACHMENT PIN	TS07-022-318DTL
15	1	1	110-70031	FINAL HOUSING SOFT GRIP	TS07-022-358DTL
16	1	1	110-70033	PAWL LINK FINAL ASSEMBLY	TS07-022-375ASM
17	1	1	110-70041	BLADE LINK GROOVED ATTACHMENT PIN	TS07-022-255-DTL
18	1	1	110-70046	TENSION KNOB ASSEMBLY	TS07-022-381ASM
19	1	1	110-70048	TWIST OFF CALIBRATION CAP	TS07-022-268DTL
20	1	1	110-70051	BALL BEARING 2.5MM DIAMETER 440C STAINLESS STEEL	HW07-011-500DTL
21	-	1	110-70058	TRIGGER BOOT FOR 80mm Span	TS07-022-360-DTL
22	4	4	110-70059	E-STYLE RETAINING RING FOR 3.0MM SHAFT DIA BLACK PHOSPHATE	HW07-011-401DTL
23	3	3	110-70060	PHMS M3x0.5x10 TYPE H PHILLIPS DIN 7985 18-8SS BLACK OXIDE	HW07-002-042DTL
24	1	1	110-70061	LOCKING LATCH ASSEMBLY	TS07-022-384ASM
25	1	1	110-70062	Cutoff Cam Ball Detent Modified	TS07-022-372DTL
26	1	1	110-70072	LOCKING LATCH RETURN SPRING	07-022-391-DTL
27	1	1	110-70073	TENSION KNOB DETENT SPRING	07-022-392-DTL
28	-	1	110-70077	SHORT LINK FOR SHORTER SPAN	TS07-022-385-DTL
29	1	-	110-70078	SHORT LINK FOR GREATER STROKE	TS07-022-386DTL
30	1	1	110-70082	PHMS STAR DRIVE M2.5X0.45X6 18-8SS BLACK OXIDE	07-002-044-DTL
31	1	1	110-70090	NOSEPIECE SCREW PHMS M3x0.5x10 WITH VIBRATITE	07-022-400-DTL
32	1	1	110-70092	EVO7 SERIAL NUMBER LABEL	07-022-440-DTL
33	1	-	110-70095	EVO7 LABEL KIT STANDARD TENSION STANDARD SPAN	07-022-441-ASM
34	-	1	110-70096	EVO7 LABEL KIT STANDARD TENSION SHORT SPAN	07-022-441-ASM
35	1	1	110-70121	DOWEL PIN M3X12 ANSI B18.85 ALLOY STEEL DIN 6325 FERRITIC NITRO CARBORIZED	07-022-434-DTL
36	1	1	110-70122	DOWEL PIN M3X22 ANSI B18.85 ALLOY STEEL DIN 6325 FERRITIC NITRO CARBORIZED	07-022-435-DTL
37	1	1	110-70123	DOWEL PIN M4X18 ANSI B18.85 ALLOY STEEL DIN 6325 FERRITIC NITRO CARBORIZED	07-022-436-DTL
38	2	2	110-70126	FRONT ROLLER FOR 3MM SHAFT .176 INCHES WIDE	07-022-437-DTL
39	2	2	110-70127	REAR ROLLER FOR 4MM SHAFT .239 INCHES WIDE	07-022-438-DTL
40	1	1	110-70134	EVO7 HOUSING SET WITH BEARINGS AND PINS	07-022-461-ASM
41	1	1	UNASSIGNED	TENSION SA STANDARD TENSION	07-022-326-ASM
42	1	1	UNASSIGNED	BLADE LINK SA	TS07-022-252ASM

PART NUMBER	DESCRIPTION	LABEL PREDOMINANT COLOR	PACKAGING
110-70083	STANDARD TENSION STANDARD HAND SPAN	BLACK	US
110-70084	STANDARD TENSION SHORT HAND SPAN	MAROON	US
110-70129	STANDARD TENSION STANDARD HAND SPAN	BLACK	EUROPEAN
110-70130	STANDARD TENSION SHORT HAND SPAN	MAROON	EUROPEAN

Notes	Material SEE BOM	Units: Inches Dimension without tolerances details to: ...xxx = ± .005 ...xxx = ± .005 ...xx = ± .01 ...x = ± .03 None = ± .06 ∅ = ± 0.5 Dimension Formatted in [mm]	The copyright of this drawing is reserved by HellermannTyton. It is issued on condition that it is not reproduced, copied, or disclosed to a third party, either wholly or in part, without the consent of HellermannTyton.	Drawn TJM	05/16/2011	Article/Type-No SEE CHART	Scale 1:1
				Approved		Title EVO7 FINAL ASSEMBLY	Project Number PRP07-022
				HellermannTyton North America Email: corp@htamericas.com Web: www.hellermann.tyton.com		Drawing-No 07-022-295-ASM	Production : Phase Format C Sheet 1/5

Revision level		Revision Record	Changed	Date	Approved	Date
Drawing	Part					
12	-	SEE ECN# 300081	TJM	03/11/2013	TJM	03/12/2013



Notes
SEE SHEET 1 FOR BILL OF MATERIAL

Material	Units:
SEE BOM	inches
	Dimension without tolerances details to:
	.xxxx = ±.0005
	.xxx = ±.005
	.xx = ±.01
	.x = ±.03
	none = ±.06
	∠ = ±0.5°
	Dimension Formatted in [mm]

The copyright of this drawing is reserved by Hellermann Tyton. It is issued on condition that it is not reproduced, copied, or disclosed to a third party, either wholly or in part, without the consent of Hellermann Tyton.

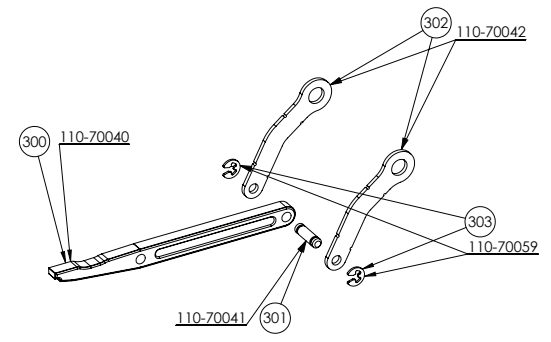
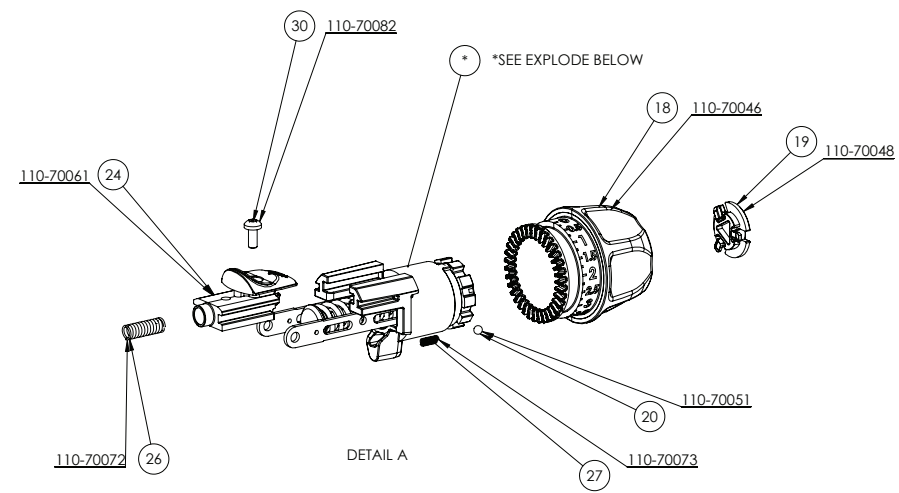
Drawn TJM 05/16/2011

Approved

HellermannTyton
North America
Email: corp@hiamericas.com
Web: www.hellermann.tyton.com

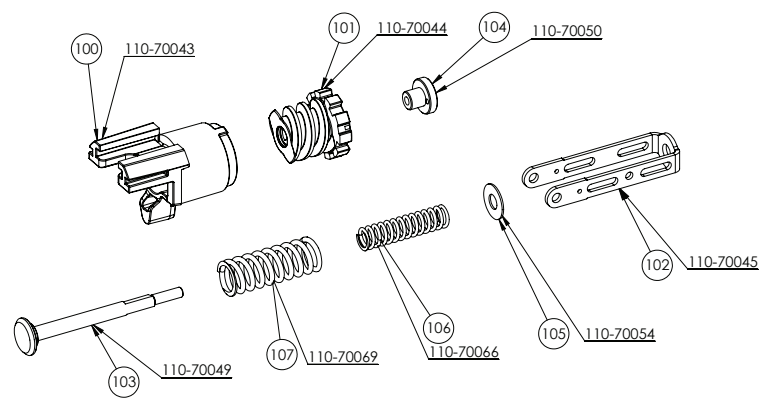
Article/Type-No	Title	Scale
SEE CHART	EVO7 FINAL ASSEMBLY	3:4
Project Number	PRP07-022	
Drawing-No	Production :Phase	Format
07-022-295-ASM		C
		Sheet
		2/5

Revision level		Revision Record	Changed	Date	Approved	Date
Drawing	Part					
12	-	SEE ECN# 300081	TJM	03/11/2013	TJM	03/12/2013



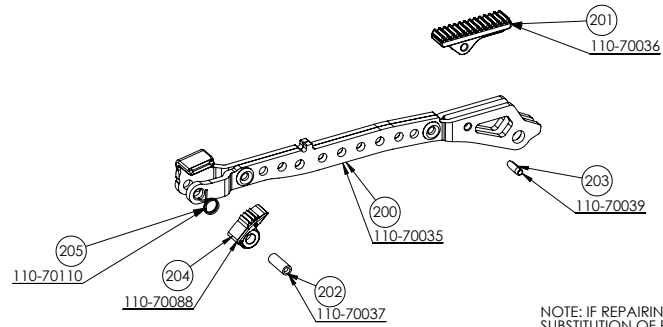
BLADE LINK SA EXPLODE

ITEM NO.	QTY.	PART NUMBER	DESCRIPTION	DRAWING NUMBER
300	1	110-70040	BLADE LINK	TS07-022-253DTL
301	1	110-70041	BLADE LINK GROOVED ATTACHMENT PIN	TS07-022-255-DTL
302	2	110-70042	INTERMEDIATE LINK	TS07-022-254-DTL
303	2	110-70059	E-STYLE RETAINING RING FOR 3.0MM SHAFT DIA BLACK PHOSPHATE	HW07-011-401DTL



TENSION SA EXPLODE (MAY VARY DEPENDENT ON TOOL CONFIGURATION)

ITEM NO.	STANDARD TENSION/QTY.	PART NUMBER	DESCRIPTION	DRAWING NUMBER
100	1	110-70043	FIXED CAM HALF PITCH FOR LATCH WITH BALL DETENT	TS07-022-327DTL
101	1	110-70044	ROTATING CAM HALF PITCH CALIBRATEABLE DETENT	TS07-022-227DTL
102	1	110-70045	U-BRACKET HALF PITCH	TS07-022-198DTL
103	1	110-70049	TENSION SHAFT HALF PITCH CAM CALIBRATEABLE	TS07-022-266DTL
104	1	110-70050	TENSION CALIBRATION NUT	TS07-022-226DTL
105	1	110-70054	TENSION SPRING THRUST BEARING	TS07-022-364DTL
106	1	110-70066	INNER TENSION SPRING 20.25 RATE 1.0675 FREE HEIGHT	07-022-324-DTL
107	1	110-70069	OUTER TENSION SPRING 42.00 RATE 1.130 FREE HEIGHT	07-022-321-DTL



PAWL LINK EXPLODE (SEE NOTE)

NOTE: IF REPAIRING TOOL WITH S/N BELOW 4400 SUBSTITUTION OF PAWL SPRING 110-70087 MAY BE NECESSARY FOR ASSURED PAWL OPENING WHEN TRIGGER IN RETURNED POSITION. NEED IS ELIMINATED WITH LATER VERSION HSG.

ITEM NO.	Default/QTY.	PART NUMBER	DESCRIPTION	DRAWING NUMBER
200	1	110-70035	PAWL LINK RIVETED ASSEMBLY	TS07-022-368ASM
201	1	110-70036	INSERTABLE RACK MIM	TS07-022-367DTL
202	1	110-70037	PAWL GRIPPER SWAGE PIN	TS07-022-245DTL
203	1	110-70039	SPIROL COILED SPRING PIN 2MM X 6MM LONG LIGHT DUTY	HW07-011-300-DTL
204	1	110-70088	PAWL GRIPPER SHARPENED	TS07-022-243ASM
205	1	110-70110	PAWL SPRING HIGH TORQUE 0.015 WIRE DIA. 17-7PH	07-022-411-DTL

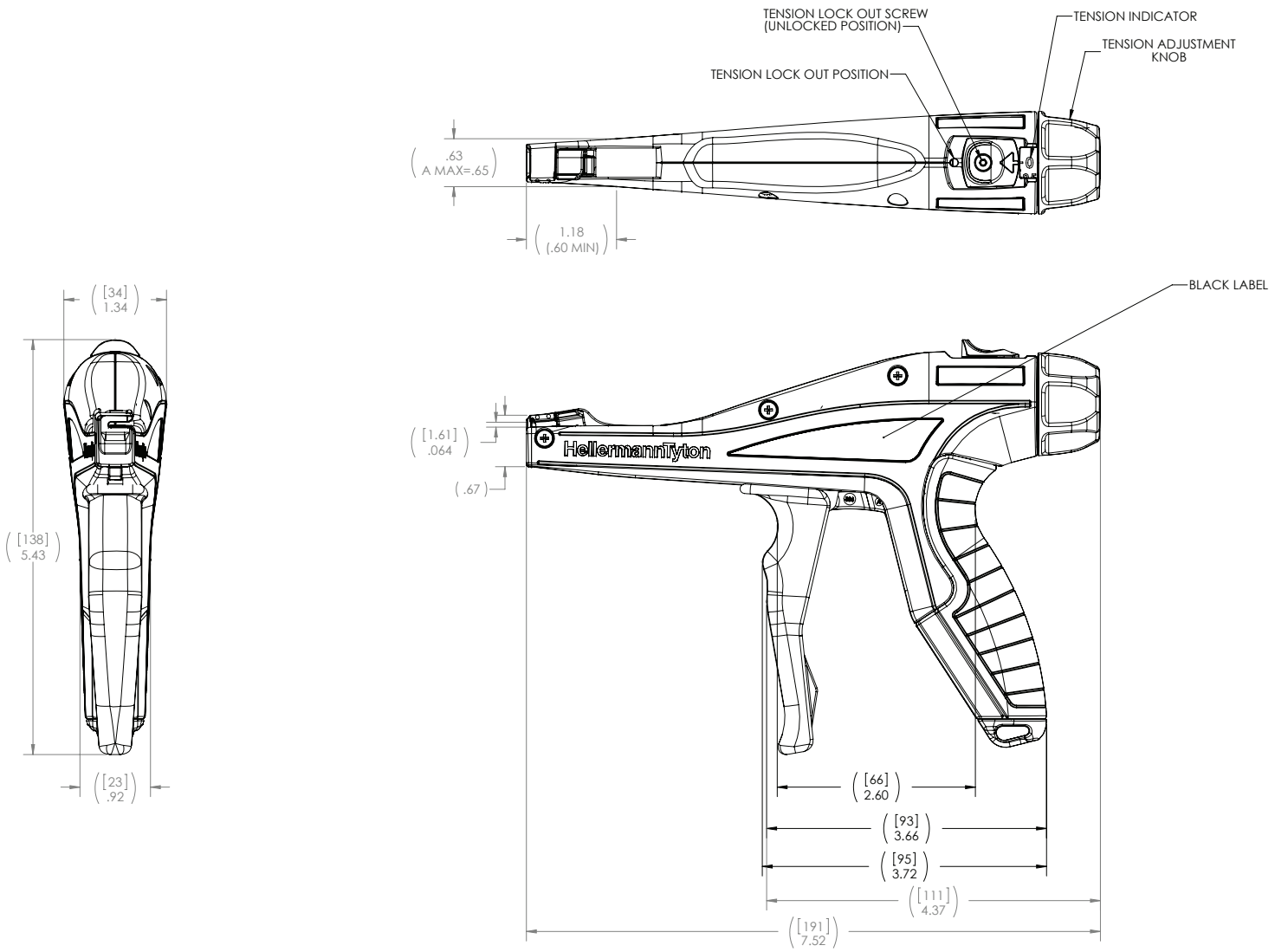
Notes

Material	SEE BOM
Units:	Inches
Dimension without tolerances details to:	
....xx = ± .0005	
...xxx = ± .005	
..xx = ± .01	
.x = ± .03	
None = ± .06	
∠ = ± 0.5°	
Dimension Formatted in [mm]	

The copyright of this drawing is reserved by HellermannTyton. It is issued on condition that it is not reproduced, copied, or disclosed to a third party, either wholly or in part, without the consent of HellermannTyton.

Drawn	TJM	05/16/2011	Article/Type-No	SEE CHART	Scale	1:1	
Approved			Title	EV07 FINAL ASSEMBLY	Project Number	PRP07-022	
HellermannTyton North America Email: corp@htamericas.com Web: www.hellermann.tyton.com			Drawing-No	07-022-295-ASM	Production : Phase	Format	C
			Sheet	3/5			

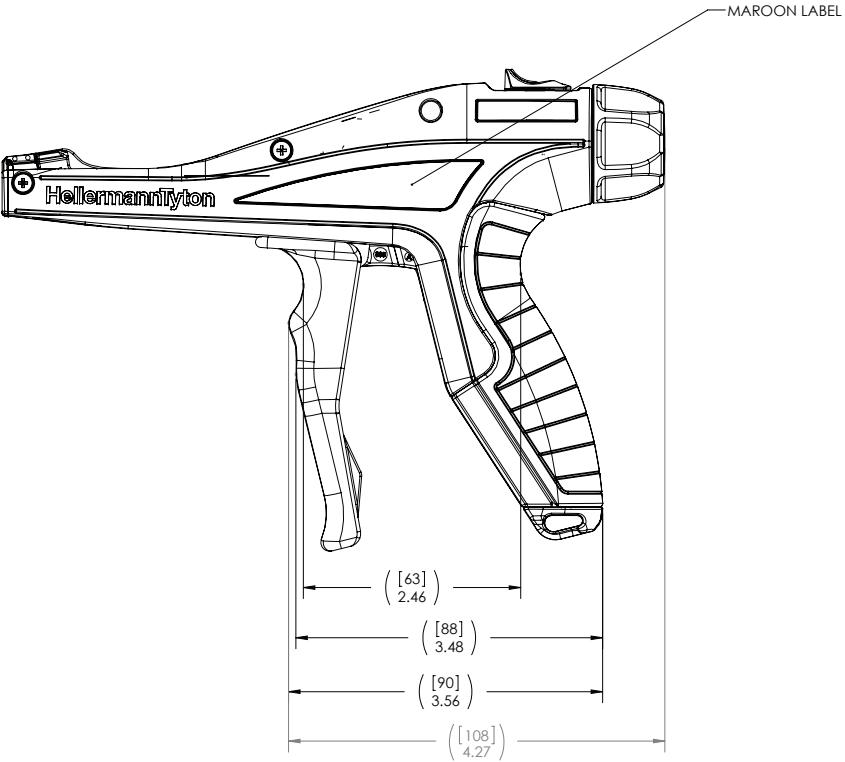
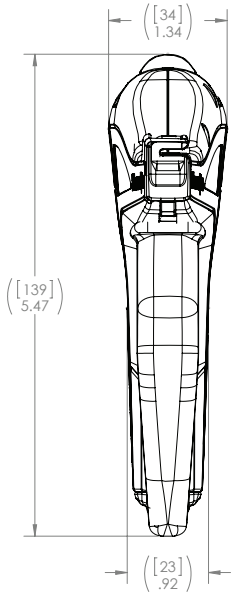
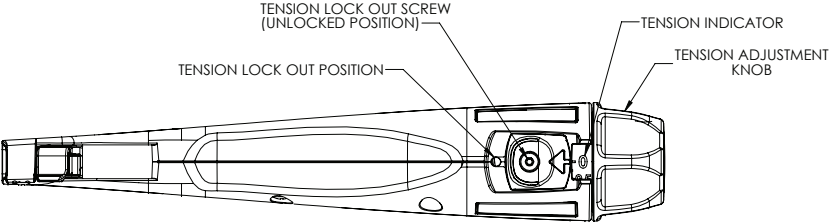
Revision level		Revision Record	Changed	Date	Approved	Date
Drawing	Part					
12	-	SEE ECN# 300081	TJM	03/11/2013	TJM	03/12/2013



STANDARD TENSION STANDARD HAND SPAN


Notes (MS90387-1 PENDING)	Material SEE BOM	Units: inches Dimension without tolerances details to: .xxxx = ±.0005 .xxx = ±.005 .xx = ±.01 .x = ±.03 None = ±.06 ∠ = ±0.5° Dimension Formatted in [mm]	The copyright of this drawing is reserved by HellermannTyton. It is issued on condition that it is not reproduced, copied, or disclosed to a third party, either wholly or in part, without the consent of HellermannTyton.	Drawn: TJM, 05/16/2011	Article/Type-No: SEE CHART	Scale: 1:1	
				Approved:	Title: EV07 FINAL ASSEMBLY	Project Number: PRP07-022	
				HellermannTyton North America Email: corp@htamericas.com Web: www.hellermann.tyton.com		Drawing-No: 07-022-295-ASM	Production : Phase Format: C
						Sheet: 4/5	

Revision level		Revision Record	Changed	Date	Approved	Date
Drawing	Part					
12	-	SEE ECN# 300081	TJM	03/11/2013	TJM	03/12/2013



STANDARD TENSION SHORT HAND SPAN

Notes
(MS90387-5 PENDING)

Material SEE BOM	Units: inches
	Dimension without tolerances details to: .xxx = ±.0005 .xxx = ±.005 .xx = ±.01 .x = ±.03 None = ±.06  = ±0.5" <small>Dimension Formatted in [mm]</small>

The copyright of this drawing is reserved by HellermannTyton. It is issued on condition that it is not reproduced, copied, or disclosed to a third party, either wholly or in part, without the consent of HellermannTyton.

Drawn	TJM	05/16/2011
Approved	HellermannTyton North America Email: corp@htamericas.com Web: www.hellermann.tyton.com	

Article/Type-No	SEE CHART	Scale	1:1
Title	EV07 FINAL ASSEMBLY	Project Number	PRP07-022
Drawing-No	07-022-295-ASM	Production : Phase	Format C
		Sheet	5/5