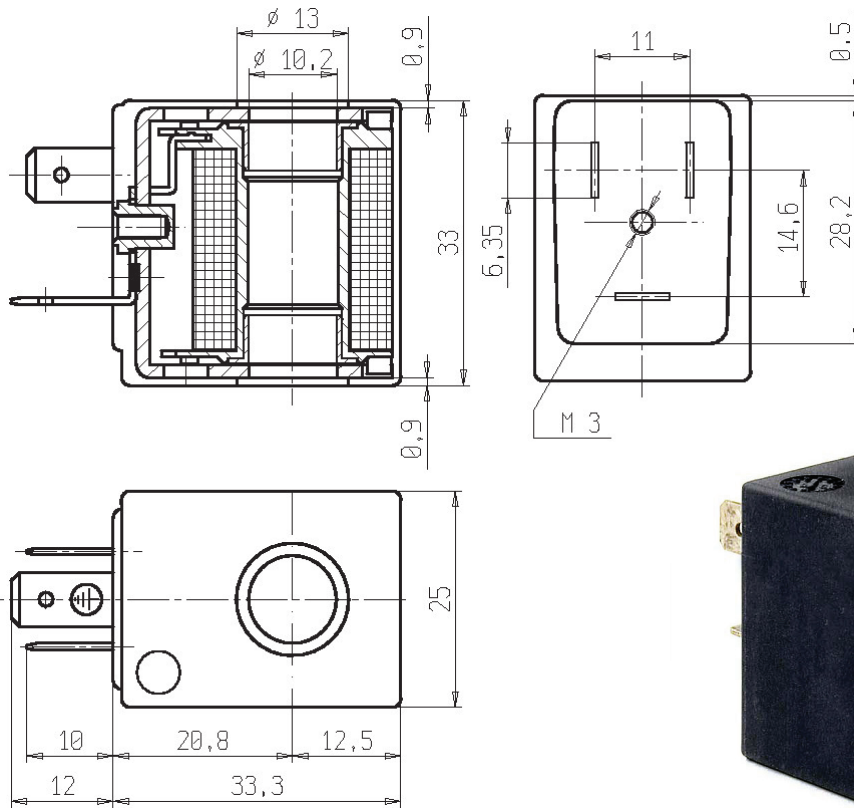


# ASCO™ COIL

## SPADE TERMINALS (DIN 46340)

**SERIES**  
**Z6**



### General Features

Complying with 2014/35/EU directive.  
Product in accordance with the RoHS 2 directive.  
100% inspected.

### Electric Connections

Spade terminals 6,3 x 0,8 (DIN46340), 2 line + 1 earth terminals.  
3 poles plug connector.

### Encapsulation Materials

PET (polyethylene terephthalate) fiberglass reinforced (black colour).

### Technical Features

Continuous Duty	ED 100%
Insulation class	<b>Z610A – Z610D</b> : F (155°C) <b>Z614A</b> : H (180°C)
Ambient temperature	<b>Z610A – Z610D</b> : -10°C +60°C <b>Z614A</b> : -10°C +80°C.
Protection degree	IP 65 (EN 60529) with plug connector
Voltages	DC 12-24V (+10% -5%)
	AC <b>Z610A – Z610D</b> : 24V/50-60Hz – 110V/50-60Hz (120V/60Hz) - 230V/50-60Hz (+10% -15%) <b>Z614A</b> : 24V/50Hz – 110V/50Hz (120V/60Hz) - 230V/50Hz (+10% -15%) (Other voltages and frequencies on request)

Type	Power absorption			Notes	Weight (kg)
	AC (VA)		DC (W)		
	Inrush	Holding			
<b>Z610A</b>	16	10	6	-	0,080
<b>Z610D</b>	14	7,5	4,5		
<b>Z614A</b>	16	10	6		

### Notes

The following voltages are UL approved (E153691):

- DC: 12 - 24 - 26V

- AC: 24V/60Hz - 110V/60Hz - 220V/60Hz - 110V/50Hz (120V/60Hz) - 220V/50Hz (240V/60Hz)