

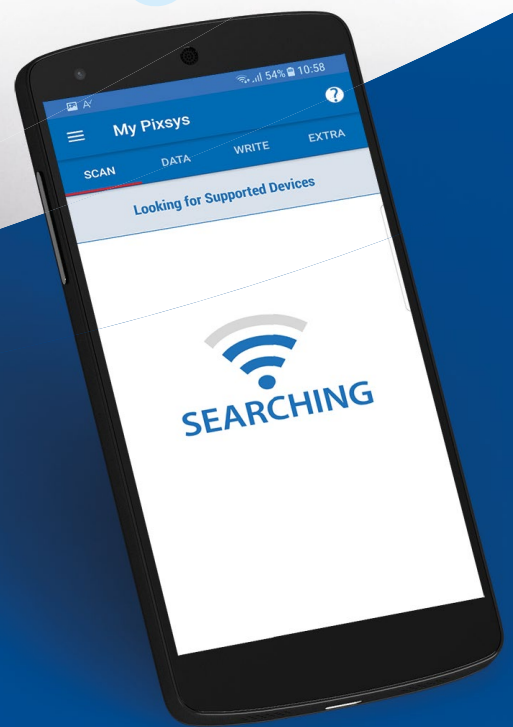
# ATR144

## Blue line

Setting new standards for ATR range



Programmable by RFID /NFC  
No wiring required!



Powerful display, interactive text messages  
On-line programming Help  
Dynamic smart Tune

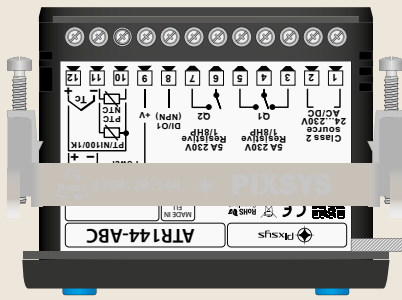
### Pixsys srl

Via Po 16, 1 - 30030 Mellaredo di Pianiga VE  
Ph. +39 041 519 0518 • Fax +39 041 519 0027

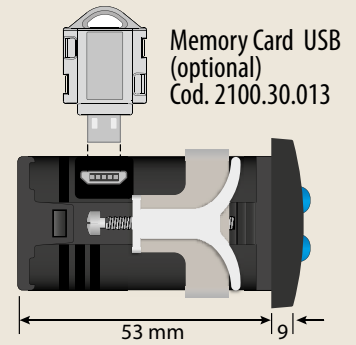
www.pixsys.net - sales@pixsys.net



Frontal panel cut-out  
Dima di foratura  
28.5 x 70.5 mm




Suggested thickness  
Spessore suggerito  
2 ÷ 8 mm



Memory Card USB  
(optional)  
Cod. 2100.30.013

## Main features

Box	32x74 (front panel) x 53 mm
Power supply	24..230 V AC / DC $\pm 15\%$ 50/60 Hz - galvanical isolation 2,5KV
Power consumption	5 W
Display	4 digits 0,38" white + 5 digits 0,28" red
Operating conditions	Temperature 0-45 °C, humidity 35..95 RH%
Material	Box: PC UL94V2 self-extinguishing, front panel: PC UL94V2
Weight	Approx. 120 g
Sealing	IP65 (front panel) IP20 (box and terminal bloks)
Quick set-up options	Memory Card, software LABSOFTVIEW, or EASY-UP codes
APP / NFC	Programming via <b>"MyPixsys"</b> App for Android Smartphone 

### Input

1 Configurable	Res. 16 bit, selectable for TC type K, S, R, J, T, N, B (automatic compensation of the cold junction -25..85°C, $\pm 0,2\%$ F.S. $\pm 1$ digit F.S.), thermoresistances PT100, PT500, PT1000, Ni100, PTC1K, NTC10K ( $\beta$ 3435K), process signals 0..10 V (50000 points), 0/4..20mA (40000 points), 0..60 mV (25000 points), potentiometer 1..150 K $\Omega$ (50000 points)
Sampling time	Programmable up to 2,1 ms (frequency up to 470 Hz)
1/2 digital inputs	Setpoint change, Hold, Run, Tuning launch, Start / Stop, Lock configuration

### Outputs

1/2 relays	Relay 5 A - 250 V AC resistive charge
1 digital output	12 V DC - 25 mA max
Serial communication	RS485 Modbus RTU - Slave (4800..115200 baud code-T)

### Software features

Control algorithms	ON - OFF with hysteresis, P, P.I., P.I.D., P.D. time proportioned
Tuning	Manual or automatic
Data protection	Lock of control / alarm setpoint / Access to parameters by password
Alarm modes	Absolute / Threshold, Band, High / Low deviation. Alarm with optional manual reset. Loop Break Alarm function
Auto / Manual function	Output percentage command also with automatic change in case of sensor failure
Double P.I.D.	Heating / Cooling P.I.D.
Soft-Start	Rising gradient expressed as Degrees / Hour or fixed output percentage
Open / Close logic	Open / Close logic for motorized valves

### Ordering codes

ATR144-ABC	1 analogue input + 2 relays 5 A + 1 DI/DO
ATR144-ABC-T	1 analogue input + 1 relay 5 A + 1 DI/DO + RS485