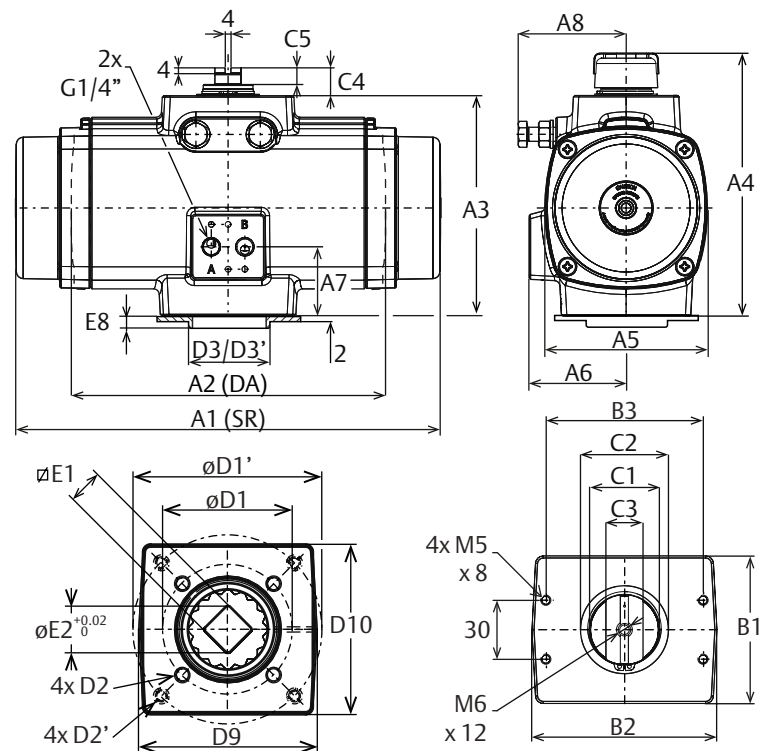


Data sheet F 65

Metric - DIN3337



Dim. in mm		Size 65							
A1	A2	A3	A4	A5	A6	A7	A8	E1 Max.	
217	217	124	151	92	58	38	69	14.08	
B1	B2	B3	C1	C2	C3	C4	C5	E1 Min.	
50	94	80	22	30	14	20	12	14.00	
D1	D2	D3	D1'	D2'	D3'	D9	D10	E2	
50	M6x10	35	70	M8x13	40	68	65	18.10	

Principle			
Pneumatic rack & pinion actuator			
General data			
Bore		80	mm
Stroke		22	mm
Weight	SR	3.3	kg
	DA	2.8	kg
Volume	Port A	0.40	L
	Port B	0.56	L
Air connection		2x G1/4" (BSP)	
Pressure range	MOP	8.3	barg
	SR	3-8.3	barg
	DA	0.2 - 8.3	barg
Pressure media		Clean, dry or lubricated air or inert gas.	
Cycle speed DA ⁽²⁾	Open	0.7	Sec.
	Close	0.5	Sec.
Cycle speed SR ⁽²⁾	Open	0.6	Sec.
	Close	0.6	Sec.
Temperature range		-20°C to +80°C	
Lubrication		Lubricated for life ⁽¹⁾	
Stroke		90°	
Over / Undertravel		+5° / -5° at each end	
Finish		Polyurethan powder coat	

1. According EN 15714-3.
2. Test conditions:
Solenoid with flow capacity: 0.6 m³/hr; Pipe diameter: 6mm; Medium: clean air, Supply pressure: 5.5 barg ~ 80psig; Load: with average load; Stroke: 90°; Temperature: Room temperature
3. Dimensions D1, D2 und D3 are standard. Dimensions D1', D2' und D3' are optional.

Torque Output (Nm)																				
Spring Return																				
Spring set	Spring Stroke Torque		Air Stroke Torque (Nm)																	
	Start	End	3.0 barg		3.5 barg		4.0 barg		4.5 barg		5.0 barg		5.5 barg		6.0 barg		7.0 barg		8.0 barg	
			Start	End	Start	End	Start	End	Start	End	Start	End	Start	End	Start	Start	Start	End	Start	End
10	10	6	33	29	40	36	47	43	54	50	61	57	68	63	75	70	88	84	102	98
20	20	13	26	17	33	24	40	31	47	38	53	45	60	52	67	59	81	72	95	86
30	31	19	19	5	25	12	32	19	39	26	46	33	53	40	60	47	74	61	87	74
40	41	26	-	-	-	-	25	8	32	14	39	21	46	28	52	35	66	49	80	63
50	51	32	-	-	-	-	-	-	24	3	31	10	38	17	45	23	59	37	73	51
60	61	39	-	-	-	-	-	-	-	-	-	-	31	5	38	12	52	25	65	39
Double acting			38		45		51		58		64		71		77		90		103	

Notes:

- Volume is the actual free air volume at 1 atm
- Flange and square drive to ISO 5211
- Solenoid mounting interface according to VDI/VDE 3845 (NAMUR)
- For further information regarding options, materials, certifications and additional execution please contact your regional sales office

European Directives:

- PED : suitable for use with group 2 gases according to Pressure Equipment Directive 97/23/EC
- ATEX : suitable for use in hazardous areas classified II 2 GD, zones 1 or 2 (gases) and 21 or 22 (dust)
- For the configuration code please consult EFG.02.01.EN