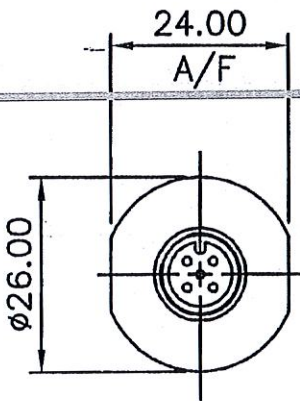
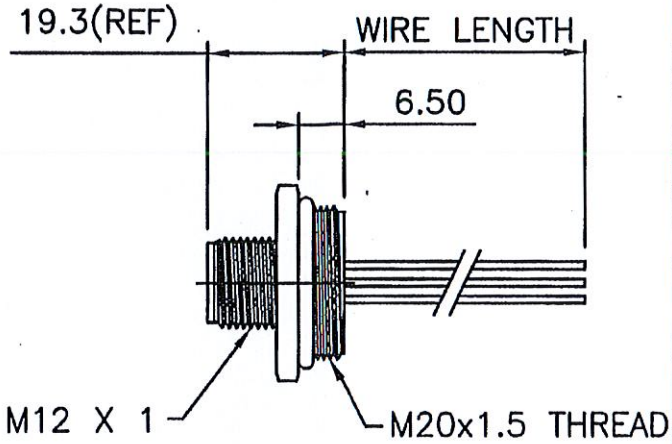
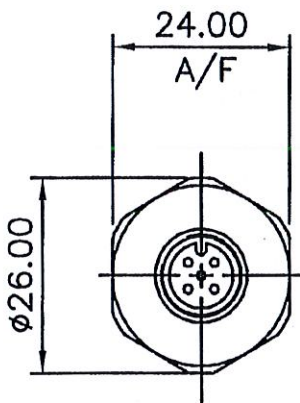
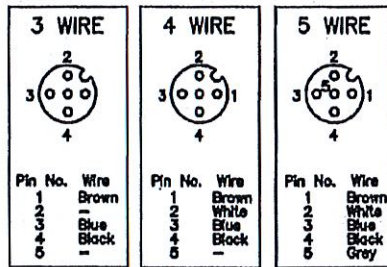


App'd	
By	
Date	
CV Number	
Revision	
App'd	
By	
Date	
CV Number	
Revision	
App'd	NV
By	TB
Date	28.11.97
CV Number	
Revision	A

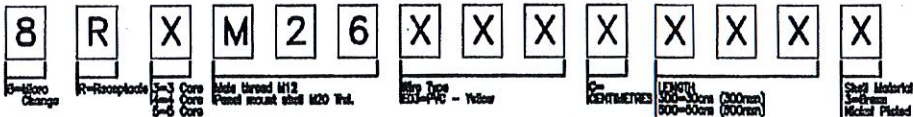


DELRIN VERSION



FACE VIEW

PART No MATRIX



Modifications must be carried out using CAD System



FOR EXPLANATION OF DIMENSIONS, TOLERANCES, NOTES etc. SEE BS308

W Woodhead Connectivity Ltd
FACTORY 6 RASSAU RD. EST. EBOW VALE GREAT WYKE

THIS DRAWING IS THE PROPERTY OF WOODHEAD CONNECTIVITY LTD. THE INFORMATION CONTAINED IS CONFIDENTIAL AND MUST NOT BE DISCLOSED

DRAWN	T. D.	REV.
DATE	26.11.97	A

A4

Connector / Stecker

34.016-287/4