



ALLUMINIO - ALUMINIUM

I dati tecnici riportati nel presente catalogo non sono impegnativi.  
Felm si riserva il diritto e la facoltà di apportare modifiche in qualsiasi momento senza preavviso.

The technical data listed in this catalogue may not be considered as binding.  
Felm reserves the right to make modifications at any time without notice.

## SPECIFICHE TECNICHE 2 POLI TECHNICAL SPECIFICATION 2 POLE

| Motor Type | Rated output |      | Speed<br>r/min | Current<br>A |      |      | Efficiency<br>$\eta\%$ | Power factor<br>COS $\phi$ | Tn<br>Nm | Tst/Tn | Tm/Tn | Is/In | moment of inertia<br>(J)<br>kgm <sup>2</sup> | Noise<br>LwdB(A) | kg    |
|------------|--------------|------|----------------|--------------|------|------|------------------------|----------------------------|----------|--------|-------|-------|--|------------------|-------|
|            | kW           | HP   |                | 380V         | 400V | 415V |                        |                            |          |        |       |       |  |                  |       |
| MA561-2    | 0.09         | 0.12 | 2750           | 0.32         | 0.3  | 0.29 | 62.0                   | 0.70                       | 0.31     | 2.1    | 2.2   | 5.2   | 0.00018                                      | 57               | 3.6   |
| MA562-2    | 0.12         | 0.18 | 2750           | 0.38         | 0.36 | 0.72 | 67.0                   | 0.72                       | 0.41     | 2.1    | 2.2   | 5.2   | 0.00023                                      | 57               | 3.9   |
| MA631-2    | 0.18         | 0.25 | 2720           | 0.53         | 0.5  | 0.18 | 65.0                   | 0.80                       | 0.61     | 2.2    | 2.3   | 5.5   | 0.00031                                      | 58               | 4.8   |
| MA632-2    | 0.25         | 0.37 | 2720           | 0.69         | 0.66 | 0.63 | 68.0                   | 0.81                       | 0.96     | 2.2    | 2.3   | 5.5   | 0.0006                                       | 58               | 5.1   |
| MA711-2    | 0.37         | 0.5  | 2740           | 0.90         | 0.94 | 0.91 | 70.0                   | 0.81                       | 1.26     | 2.2    | 2.3   | 6.1   | 0.00075                                      | 61               | 6.0   |
| MA712-2    | 0.55         | 0.75 | 2740           | 1.4          | 1.33 | 0.28 | 73.0                   | 0.82                       | 1.88     | 2.2    | 2.3   | 6.1   | 0.0009                                       | 61               | 6.5   |
| MA801-2    | 0.75         | 1    | 2840           | 1.83         | 1.73 | 1.68 | 75.1                   | 0.83                       | 2.54     | 2.2    | 2.3   | 6.1   | 0.0012                                       | 64               | 8.7   |
| MA802-2    | 1.1          | 1.5  | 2840           | 2.58         | 2.45 | 2.37 | 77.0                   | 0.84                       | 3.72     | 2.2    | 2.3   | 7.0   | 0.0014                                       | 64               | 9.5   |
| MA90S-2    | 1.5          | 2    | 2840           | 3.43         | 3.26 | 3.14 | 79.0                   | 0.84                       | 5.14     | 2.2    | 2.3   | 7.0   | 0.0029                                       | 69               | 11.8  |
| MA90L-2    | 2.2          | 3    | 2840           | 4.85         | 4.61 | 4.44 | 81.1                   | 0.85                       | 7.40     | 2.2    | 2.3   | 7.0   | 0.0055                                       | 69               | 13.5  |
| MA100L-2   | 3            | 4    | 2860           | 6.33         | 6.01 | 5.79 | 82.8                   | 0.87                       | 9.95     | 2.2    | 2.3   | 7.5   | 0.0109                                       | 73               | 21.0  |
| MA112M-2   | 4            | 5.5  | 2880           | 8.18         | 7.77 | 7.49 | 84.4                   | 0.88                       | 13.22    | 2.2    | 2.3   | 7.5   | 0.0126                                       | 74               | 28.0  |
| MA132S1-2  | 5.5          | 7.5  | 2900           | 11.1         | 0.5  | 10.1 | 85.9                   | 0.88                       | 18.11    | 2.2    | 2.3   | 7.5   | 0.0377                                       | 77               | 39.0  |
| MA132S2-2  | 7.5          | 10   | 2900           | 14.9         | 14.1 | 13.6 | 87.2                   | 0.88                       | 24.70    | 2.2    | 2.3   | 7.5   | 0.0499                                       | 77               | 44.5  |
| MA160M1-2  | 11           | 15   | 2930           | 21.2         | 20.2 | 19.4 | 88.5                   | 0.89                       | 35.85    | 2.2    | 2.3   | 7.5   | 0.055  | 83               | 69.5  |
| MA160M2-2  | 15           | 20   | 2930           | 28.6         | 27.2 | 26.2 | 89.5                   | 0.89                       | 48.89    | 2.2    | 2.3   | 7.5   | 0.075  | 83               | 78.0  |
| MA160L-2   | 18.5         | 25   | 2930           | 34.6         | 32.9 | 31.7 | 90.2                   | 0.90                       | 60.30    | 2.2    | 2.3   | 7.5   | 0.124  | 83               | 88.5  |
| MA180M-2   | 22           | 30   | 2940           | 40.9         | 38.9 | 37.5 | 90.7                   | 0.90                       | 71.46    | 2.0    | 2.3   | 7.5   | 0.075  | 89               | 102.3 |
| MA200L1-2  | 30           | 40   | 2950           | 55.4         | 52.6 | 50.7 | 91.5                   | 0.90                       | 97.12    | 2.0    | 2.3   | 7.5   | 0.124  | 92               | 119   |
| MA200L2-2  | 37           | 50   | 2950           | 67.7         | 64.4 | 62   | 92.2                   | 0.90                       | 119.78   | 2.0    | 2.3   | 7.5   | 0.139  | 92               | 125   |

## SPECIFICHE TECNICHE 4 POLI TECHNICAL SPECIFICATION 4 POLE

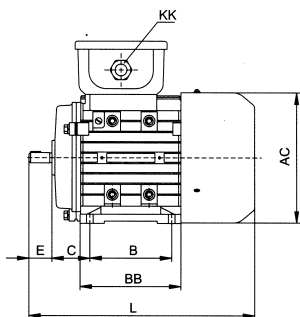
| Motor Type       | Rated output |          | Speed<br>r/min | Current<br>A |             |             | Efficiency<br>$\eta\%$ | Power factor<br>COS $\phi$ | Tn<br>Nm    | Tst/Tn     | Tm/Tn      | Is/In      | moment of inertia<br>(J)<br>kgm <sup>2</sup> | Noise<br>LwdB(A) | kg          |
|------------------|--------------|----------|----------------|--------------|-------------|-------------|------------------------|----------------------------|-------------|------------|------------|------------|--|------------------|-------------|
|                  | kW           | HP       |                | 380V         | 400V        | 415V        |                        |                            |             |            |            |            |  |                  |             |
| MA561-4          | 0.06         | 0.09     | 1325           | 0.28         | 0.27        | 0.26        | 56.0                   | 0.58                       | 0.43        | 2          | 2.1        | 4.0        | 0.0003                                       | 48               | 3.6         |
| MA562-4          | 0.09         | 0.12     | 1325           | 0.39         | 0.37        | 0.35        | 58.0                   | 0.61                       | 0.64        | 2          | 2.1        | 4.0        | 0.0004                                       | 48               | 3.9         |
| MA631-4          | 0.12         | 0.18     | 1310           | 0.44         | 0.42        | 0.41        | 57.0                   | 0.72                       | 0.84        | 2.1        | 2.2        | 4.4        | 0.0005                                       | 48               | 4.8         |
| MA632-4          | 0.18         | 0.25     | 1310           | 0.62         | 0.59        | 0.57        | 60.0                   | 0.73                       | 1.26        | 2.1        | 2.2        | 4.4        | 0.0006                                       | 48               | 5.1         |
| MA711-4          | 0.25         | 0.37     | 1330           | 0.79         | 0.75        | 0.72        | 65.0                   | 0.74                       | 1.73        | 2.1        | 2.2        | 5.2        | 0.0008                                       | 53               | 6.0         |
| MA712-4          | 0.37         | 0.5      | 1330           | 1.12         | 1.06        | 1.02        | 67.0                   | 0.75                       | 2.56        | 2.1        | 2.2        | 5.2        | 0.0013                                       | 53               | 6.3         |
| MA801-4          | 0.55         | 0.75     | 1390           | 1.57         | 1.49        | 1.43        | 71.1                   | 0.75                       | 3.75        | 2.3        | 2.3        | 5.2        | 0.0018                                       | 58               | 9.4         |
| MA802-4          | 0.75         | 1        | 1390           | 2.05         | 1.95        | 1.88        | 73.1                   | 0.76                       | 5.11        | 2.3        | 2.3        | 6.0        | 0.0021                                       | 58               | 10.8        |
| MA90S-4          | 1.1          | 1.5      | 1390           | 2.84         | 2.7         | 2.6         | 76.3                   | 0.77                       | 7.5         | 2.3        | 2.3        | 6.0        | 0.0023                                       | 59               | 12.0        |
| MA90L-4          | 1.5          | 2        | 1390           | 3.67         | 3.49        | 3.36        | 78.6                   | 0.79                       | 10.23       | 2.3        | 2.3        | 6.0        | 0.0027                                       | 59               | 13.8        |
| <b>MA100L1-4</b> | <b>2.2</b>   | <b>3</b> | <b>1410</b>    | <b>5.08</b>  | <b>4.83</b> | <b>4.65</b> | <b>81.2</b>            | <b>0.81</b>                | <b>14.8</b> | <b>2.3</b> | <b>2.3</b> | <b>7.0</b> | <b>0.0054</b>                                | <b>61</b>        | <b>20.8</b> |
| MA100L2-4        | 3            | 4        | 1410           | 6.72         | 6.39        | 6.15        | 82.7                   | 0.82                       | 20.18       | 2.3        | 2.3        | 7.0        | 0.0067                                       | 61               | 23.5        |
| MA112M-4         | 4            | 5.5      | 1435           | 8.79         | 8.35        | 8.05        | 84.3                   | 0.82                       | 26.53       | 2.3        | 2.3        | 7.0        | 0.0095                                       | 62               | 29.5        |
| MA132S-4         | 5.5          | 7.5      | 1440           | 11.7         | 11.1        | 10.7        | 85.8                   | 0.83                       | 36.48       | 2.3        | 2.3        | 7.0        | 0.0214                                       | 69               | 41.0        |
| MA132M-4         | 7.5          | 10       | 1440           | 15.6         | 14.8        | 14.3        | 87.1                   | 0.84                       | 0.74        | 2.3        | 2.3        | 7.0        | 0.0296                                       | 69               | 47.5        |
| MA160M-4         | 11           | 15       | 1460           | 22.5         | 21.4        | 20.6        | 88.5                   | 0.84                       | 0.74        | 2.3        | 2.3        | 7.0        | 0.0747                                       | 72               | 72.5        |
| MA160L-4         | 15           | 20       | 1460           | 30           | 28.5        | 27.4        | 89.5                   | 0.85                       | 0.75        | 2.3        | 2.3        | 7.0        | 0.0918                                       | 72               | 85.6        |
| MA180M-4         | 18.5         | 25       | 1470           | 36.3         | 34.5        | 33.2        | 90.1                   | 0.86                       | 120.19      | 2.2        | 2.3        | 7.5        | 0.1390                                       | 76               | 101         |
| MA180L-4         | 22           | 30       | 1470           | 42.9         | 40.8        | 39.3        | 90.6                   | 0.86                       | 142.93      | 2.2        | 2.3        | 7.5        | 0.1580                                       | 76               | 112         |
| MA200L-4         | 30           | 40       | 1470           | 57.9         | 55          | 53          | 91.5                   | 0.86                       | 160.96      | 2.2        | 2.3        | 7.2        | 0.2620                                       | 79               | 122         |

## SPECIFICHE TECNICHE 6 POLI TECHNICAL SPECIFICATION 6 POLE

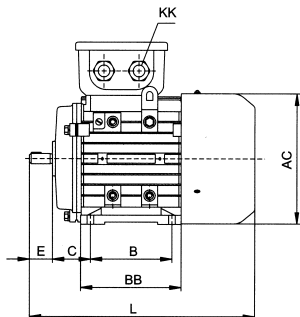
| Motor Type | Rated output |      | Speed<br>r/min | Current<br>A |      |      | Efficiency<br>$\eta\%$ | Power factor<br>COS $\phi$ | Tn<br>Nm | Tst/Tn | Tm/Tn | Is/In | moment of inertia<br>(J)<br>kgm <sup>2</sup> | Noise<br>LwdB(A) | kg   |
|------------|--------------|------|----------------|--------------|------|------|------------------------|----------------------------|----------|--------|-------|-------|--|------------------|------|
|            | kW           | HP   |                | 380V         | 400V | 415V |                        |                            |          |        |       |       |  |                  |      |
| MA631-6    | 0.09         | 0.12 | 840            | 0.52         | 0.49 | 0.47 | 44.0                   | 0.60                       | 1.80     | 1.8    | 1.9   | 3.5   | 0.00025                                      | 48               | 4.8  |
| MA632-6    | 0.12         | 0.18 | 850            | 0.63         | 0.60 | 0.58 | 48.0                   | 0.60                       | 2.25     | 1.8    | 1.9   | 3.5   | 0.0004                                       | 48               | 5.1  |
| MA711-6    | 0.18         | 0.25 | 850            | 0.74         | 0.70 | 0.68 | 56.0                   | 0.66                       | 1.91     | 1.9    | 2.0   | 4.0   | 0.0011                                       | 49               | 6.0  |
| MA712-6    | 0.25         | 0.37 | 850            | 0.95         | 0.90 | 0.87 | 59.0                   | 0.68                       | 2.65     | 1.9    | 2.0   | 4.0   | 0.0014                                       | 49               | 6.3  |
| MA801-6    | 0.37         | 0.5  | 885            | 1.30         | 1.23 | 1.19 | 62.0                   | 0.70                       | 3.93     | 1.9    | 2.0   | 4.7   | 0.0016                                       | 51               | 8.9  |
| MA802-6    | 0.55         | 0.75 | 885            | 1.78         | 1.69 | 1.63 | 65.0                   | 0.72                       | 5.84     | 1.9    | 2.1   | 4.7   | 0.0019                                       | 51               | 10.4 |
| MA90S      | 0.75         | 1    | 910            | 2.29         | 2.18 | 2.10 | 69.0                   | 0.72                       | 7.87     | 2.0    | 2.1   | 5.5   | 0.0029                                       | 54               | 12.1 |
| MA90L-6    | 1.1          | 1.5  | 910            | 3.18         | 3.02 | 2.91 | 72.1                   | 0.73                       | 11.54    | 2.0    | 2.1   | 5.5   | 0.0035                                       | 54               | 13.7 |
| MA100L-6   | 1.5          | 2    | 920            | 3.99         | 3.79 | 3.66 | 76.1                   | 0.75                       | 15.24    | 2.0    | 2.1   | 5.5   | 0.0069                                       | 58               | 23.0 |
| MA112M-6   | 2.2          | 3    | 935            | 5.55         | 5.28 | 5.08 | 79.2                   | 0.76                       | 22.35    | 2.1    | 2.1   | 6.5   | 0.014  | 62               | 28.2 |
| MA132S-6   | 3            | 4    | 960            | 7.4          | 7.03 | 6.77 | 81.1                   | 0.76                       | 29.84    | 2.1    | 2.1   | 6.5   | 0.0286                                       | 66               | 40.3 |
| MA132M1-6  | 4            | 5.5  | 960            | 9.74         | 9.25 | 8.92 | 82.1                   | 0.76                       | 39.79    | 2.1    | 2.1   | 6.5   | 0.0357                                       | 66               | 43.0 |
| MA132M2-6  | 5.5          | 7.5  | 960            | 12.9         | 12.3 | 11.8 | 84.1                   | 0.77                       | 54.71    | 2.1    | 2.1   | 6.5   | 0.0449                                       | 66               | 47.2 |
| MA160M-6   | 7.5          | 10   | 970            | 17.2         | 16.3 | 15.7 | 86.1                   | 0.77                       | 54.71    | 2.1    | 2.1   | 6.5   | 0.081  | 70               | 70.6 |
| MA160L-6   | 11           | 15   | 970            | 24.5         | 23.2 | 22.4 | 87.6                   | 0.78                       | 108.30   | 2.1    | 2.1   | 6.5   | 0.116  | 70               | 85.0 |
| MA180L-6   | 15           | 20   | 970            | 31.6         | 30   | 28.9 | 89.1                   | 0.81                       | 147.68   | 2.1    | 2.1   | 7.0   | 0.207  | 73               | 105  |
| MA200L1-6  | 18.5         | 25   | 980            | 38.5         | 36.6 | 35.3 | 90.1                   | 0.81                       | 182.14   | 2.1    | 2.0   | 7.0   | 0.315  | 76               | 115  |
| MA200L2-6  | 22           | 30   | 980            | 44.7         | 42.5 | 40.9 | 90.1                   | 0.83                       | 216.60   | 2.1    | 2.0   | 7.0   | 0.36   | 76               | 121  |

**SPECIFICHE TECNICHE 8 POLI**  
**TECHNICAL SPECIFICATION 8 POLE**

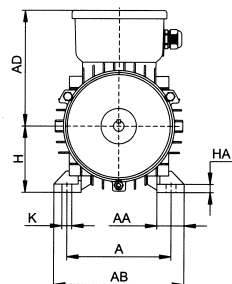
| Motor Type | Rated output |      | Speed<br>r/min | Current<br>A |       |       | Efficiency<br>$\eta\%$ | Power factor<br>COS $\phi$ | Tn<br>Nm | Tst/Tn | Tm/Tn | Is/In | moment of inertia<br>(J)<br>kgm <sup>2</sup> | Noise<br>LwdB(A) | kg   |
|------------|--------------|------|----------------|--------------|-------|-------|------------------------|----------------------------|----------|--------|-------|-------|--|------------------|------|
|            | kW           | HP   |                | 380V         | 400V  | 415V  |                        |                            |          |        |       |       |  |                  |      |
| MA711-8    | 0.09         | 0.12 | 600            | 0.60         | 0.57  | 0.55  | 40.0                   | 0.57                       | 1.95     | 1.8    | 1.9   | 2.8   | 0.0080                                       | 48               | 6.0  |
| MA712-8    | 0.12         | 0.18 | 600            | 0.71         | 0.70  | 0.65  | 45.0                   | 0.57                       | 2.16     | 1.8    | 1.9   | 2.8   | 0.0010                                       | 48               | 6.3  |
| MA801-8    | 0.18         | 0.25 | 645            | 0.88         | 0.84  | 0.80  | 51.0                   | 0.61                       | 2.5      | 1.8    | 1.9   | 3.3   | 0.0025                                       | 48               | 8.9  |
| MA802-8    | 0.25         | 0.37 | 645            | 1.15         | 1.10  | 1.06  | 54.0                   | 0.61                       | 3.5      | 1.8    | 1.9   | 3.3   | 0.0030                                       | 48               | 10.4 |
| MA90S-8    | 0.37         | 0.5  | 670            | 1.49         | 1.41  | 1.36  | 62.0                   | 0.61                       | 5.1      | 1.8    | 1.9   | 4.0   | 0.0051                                       | 53               | 12.1 |
| MA90L-8    | 0.55         | 0.75 | 670            | 2.17         | 2.07  | 1.99  | 63.0                   | 0.61                       | 7.6      | 1.8    | 2.0   | 4.0   | 0.0065                                       | 53               | 13.7 |
| MA100L1-8  | 0.75         | 1    | 680            | 2.40         | 2.28  | 2.19  | 71.0                   | 0.67                       | 10.2     | 1.8    | 2.0   | 4.0   | 0.0095                                       | 56               | 23.0 |
| MA100L2-8  | 1.1          | 1.5  | 680            | 3.32         | 3.15  | 3.04  | 73.0                   | 0.69                       | 15.0     | 1.8    | 2.0   | 5.0   | 0.0110                                       | 56               | 25.1 |
| MA112M-8   | 1.5          | 2    | 690            | 4.40         | 4.18  | 4.03  | 75.0                   | 0.69                       | 20.5     | 1.8    | 2.0   | 5.0   | 0.0254                                       | 59               | 28.2 |
| MA132S-8   | 2.2          | 3    | 705            | 6.04         | 5.73  | 5.53  | 78.0                   | 0.71                       | 19.6     | 1.8    | 2.0   | 6.0   | 0.0314                                       | 61               | 40.3 |
| MA132M-8   | 3            | 4    | 705            | 7.90         | 7.51  | 7.24  | 79.0                   | 0.73                       | 40.4     | 1.8    | 2.0   | 6.0   | 0.0395                                       | 61               | 45.0 |
| MA160M1-8  | 4            | 5.5  | 720            | 10.30        | 9.76  | 9.41  | 81.0                   | 0.73                       | 53.1     | 1.9    | 2.0   | 6.0   | 0.0753                                       | 65               | 68.5 |
| MA160M2-8  | 5.5          | 7.5  | 720            | 13.60        | 12.90 | 12.50 | 83.0                   | 0.74                       | 72.6     | 2.0    | 2.0   | 6.0   | 0.0931                                       | 65               | 76.0 |
| MA160L-8   | 7.5          | 10   | 720            | 17.80        | 16.90 | 16.30 | 85.5                   | 0.75                       | 99.5     | 2.0    | 2.0   | 6.0   | 0.1260                                       | 65               | 86.2 |
| MA80L-8    | 11           | 15   | 730            | 25.1         | 23.9  | 23    | 87.5                   | 0.76                       | 143.90   | 2.0    | 2.0   | 6.0   | 0.2030                                       | 70               | 101  |
| MA200L-8   | 15           | 20   | 730            | 34.1         | 32.4  | 31.2  | 88.0                   | 0.76                       | 196.23   | 2.0    | 2.0   | 6.6   | 0.3990                                       | 73               | 120  |



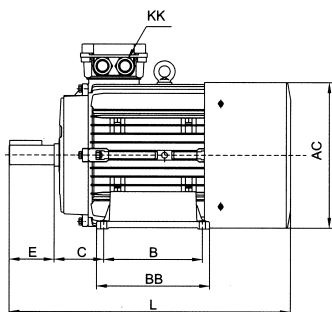
**56-90**



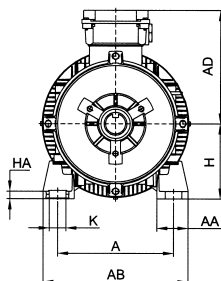
**100-160**



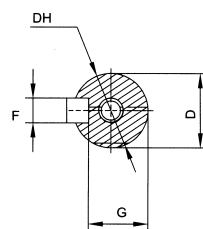
**56-160**



**180-200**

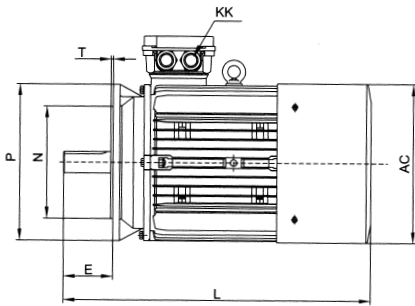


**180-200**

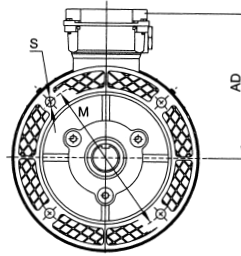


**DIMENSIONI B3  
DIMENSION B3**

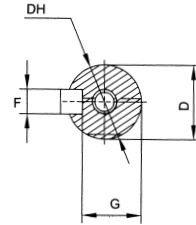
| Type | A   | AA  | AB  | BB  | HA | AC  | AD  | B   | C   | D  | DH     | E   | F  | G    | H   | K    | KK        |        | Overall L |
|------|-----|-----|-----|-----|----|-----|-----|-----|-----|----|--------|-----|----|------|-----|------|-----------|--------|-----------|
|      |     |     |     |     |    |     |     |     |     |    |        |     |    |      |     |      | Metric    | PG     |           |
| 56   | 90  | 23  | 115 | 88  | 7  | 110 | 100 | 71  | 36  | 9  | M4X12  | 20  | 3  | 7.2  | 56  | 5.8  | 1-M20X1.5 | 1-PG11 | 199       |
| 63   | 100 | 24  | 135 | 100 | 7  | 130 | 111 | 80  | 40  | 11 | M4X12  | 23  | 4  | 8.5  | 63  | 7.0  | 1-M20X1.5 | 1-PG11 | 217       |
| 71   | 112 | 26  | 150 | 110 | 8  | 145 | 118 | 90  | 45  | 14 | M5X12  | 30  | 5  | 11   | 71  | 7.0  | 1-M20X1.5 | 1-PG11 | 245       |
| 80   | 125 | 35  | 165 | 125 | 9  | 175 | 134 | 100 | 50  | 19 | M6X16  | 40  | 6  | 15.5 | 80  | 10.0 | 1-M25X1.5 | 1-PG16 | 287       |
| 90S  | 140 | 37  | 180 | 125 | 10 | 195 | 140 | 100 | 56  | 24 | M8X19  | 50  | 8  | 20.0 | 90  | 10.0 | 1-M25X1.5 | 1-PG16 | 315       |
| 90L  | 140 | 37  | 180 | 150 | 10 | 195 | 140 | 125 | 56  | 24 | M8X19  | 50  | 8  | 20.0 | 90  | 10.0 | 1-M25X1.5 | 1-PG16 | 340       |
| 100L | 160 | 40  | 205 | 172 | 11 | 215 | 160 | 140 | 63  | 28 | M10X22 | 60  | 8  | 24.0 | 100 | 12.0 | 1-M32X1.5 | 1-PG21 | 385       |
| 112M | 190 | 41  | 230 | 181 | 12 | 240 | 178 | 140 | 70  | 28 | M10X22 | 60  | 8  | 24.0 | 112 | 12.0 | 2-M32X1.5 | 2-PG21 | 400       |
| 132S | 216 | 51  | 270 | 186 | 15 | 275 | 206 | 140 | 89  | 38 | M12X28 | 80  | 10 | 33.0 | 132 | 12.0 | 2-M32X1.5 | 2-PG21 | 483       |
| 132M | 216 | 51  | 270 | 224 | 15 | 275 | 206 | 178 | 89  | 38 | M12X28 | 80  | 10 | 33.0 | 132 | 12.0 | 2-M32X1.5 | 2-PG21 | 510       |
| 160M | 254 | 55  | 320 | 260 | 18 | 330 | 255 | 210 | 108 | 42 | M16X36 | 110 | 12 | 37.0 | 160 | 15.0 | 2-M40X1.5 | 2-PG29 | 615       |
| 160L | 254 | 55  | 320 | 304 | 18 | 330 | 255 | 254 | 108 | 42 | M16X36 | 110 | 12 | 37.0 | 160 | 16.0 | 2-M40X1.5 | 2-PG29 | 670       |
| 180M | 279 | 75  | 350 | 315 | 18 | 355 | 272 | 241 | 221 | 48 | M16X36 | 110 | 14 | 42.5 | 180 | 15   | 2-M32X1.5 | 2-PG29 | 765       |
| 180L | 279 | 75  | 350 | 315 | 18 | 355 | 272 | 279 | 221 | 48 | M16X36 | 110 | 14 | 42.5 | 180 | 15   | 2-M32X1.5 | 2-PG29 | 765       |
| 200L | 318 | 100 | 398 | 355 | 24 | 355 | 272 | 305 | 133 | 55 | M20X42 | 110 | 16 | 49   | 200 | 19   | 2-M32X1.5 | 2-PG36 | 790       |



**56-200**



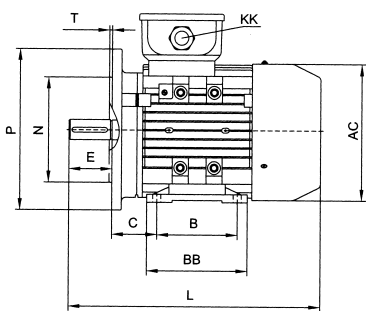
**56-200**



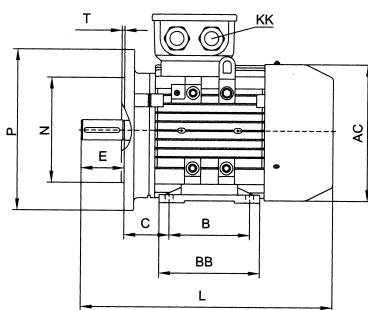
**DIMENSIONI B5  
DIMENSION B5**

| Type | HA | AC  | AD  | B   | C   | D  | DH     | E   | F  | G    | H   | K    | KK        |        | Overall dimensions |     |     |     |    |     |
|------|----|-----|-----|-----|-----|----|--------|-----|----|------|-----|------|-----------|--------|--------------------|-----|-----|-----|----|-----|
|      |    |     |     |     |     |    |        |     |    |      |     |      | Metric    | PG     | L                  | M   | N   | P   | S  | T   |
| 56   | 7  | 110 | 100 | 71  | 36  | 9  | M4X12  | 20  | 3  | 7.2  | 56  | 5.8  | 1-M20X1.5 | 1-PG11 | 199                | 100 | 80  | 120 | 7  | 3.0 |
| 63   | 7  | 130 | 111 | 80  | 40  | 11 | M4X12  | 23  | 4  | 8.5  | 63  | 7.0  | 1-M20X1.5 | 1-PG11 | 217                | 115 | 95  | 140 | 10 | 3.0 |
| 71   | 8  | 145 | 118 | 90  | 45  | 14 | M5X12  | 30  | 5  | 11   | 71  | 7.0  | 1-M20X1.5 | 1-PG11 | 245                | 130 | 110 | 160 | 12 | 3.5 |
| 80   | 9  | 175 | 134 | 100 | 50  | 19 | M6X16  | 40  | 6  | 15.5 | 80  | 10.0 | 1-M25X1.5 | 1-PG16 | 287                | 165 | 130 | 200 | 12 | 3.5 |
| 90S  | 10 | 195 | 140 | 100 | 56  | 24 | M8X19  | 50  | 8  | 20.0 | 90  | 10.0 | 1-M25X1.5 | 1-PG16 | 315                | 165 | 130 | 200 | 12 | 3.5 |
| 90L  | 10 | 195 | 140 | 125 | 56  | 24 | M8X19  | 50  | 8  | 20.0 | 90  | 10.0 | 1-M25X1.5 | 1-PG16 | 340                | 165 | 130 | 200 | 12 | 3.5 |
| 100L | 11 | 215 | 160 | 140 | 63  | 28 | M10X22 | 60  | 8  | 24.0 | 100 | 12.0 | 1-M32X1.5 | 1-PG21 | 385                | 215 | 180 | 250 | 15 | 4.0 |
| 112M | 12 | 240 | 178 | 140 | 70  | 28 | M10X22 | 60  | 8  | 24.0 | 112 | 12.0 | 2-M32X1.5 | 2-PG21 | 400                | 215 | 180 | 250 | 15 | 4.0 |
| 132S | 15 | 275 | 206 | 140 | 89  | 38 | M12X28 | 80  | 10 | 33.0 | 132 | 12.0 | 2-M32X1.5 | 2-PG21 | 483                | 265 | 230 | 300 | 15 | 4.0 |
| 132M | 15 | 275 | 206 | 178 | 89  | 38 | M12X28 | 80  | 10 | 33.0 | 132 | 12.0 | 2-M32X1.5 | 2-PG21 | 510                | 265 | 230 | 300 | 15 | 4.0 |
| 160M | 18 | 330 | 255 | 210 | 108 | 42 | M16X36 | 110 | 12 | 37.0 | 160 | 15.0 | 2-M40X1.5 | 2-PG29 | 615                | 300 | 250 | 350 | 19 | 5.0 |
| 160L | 18 | 330 | 255 | 254 | 108 | 42 | M16X36 | 110 | 12 | 37.0 | 160 | 16.0 | 2-M40X1.5 | 2-PG29 | 670                | 300 | 250 | 350 | 19 | 5.0 |
| 180M | 18 | 355 | 272 | 241 | 121 | 48 | M16X36 | 110 | 14 | 42.5 | 180 | 15.0 | 2-M32X1.5 | 2-PG29 | 765                | 300 | 250 | 350 | 19 | 5   |
| 180L | 18 | 355 | 272 | 279 | 121 | 48 | M16X36 | 110 | 14 | 42.5 | 180 | 15.0 | 2-M32X1.5 | 2-PG29 | 765                | 300 | 250 | 350 | 19 | 5   |
| 200L | 24 | 355 | 272 | 305 | 133 | 55 | M20X42 | 110 | 16 | 49   | 200 | 19   | 2-M32X1.5 | 2-PG36 | 790                | 350 | 300 | 400 | 19 | 5   |

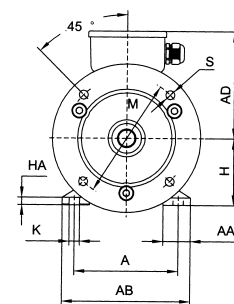




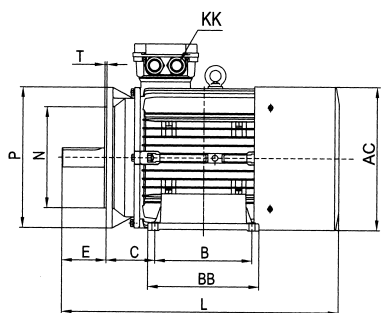
56-90



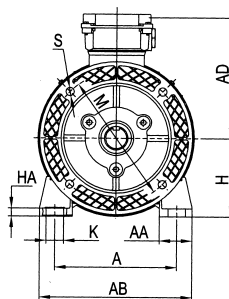
100-160



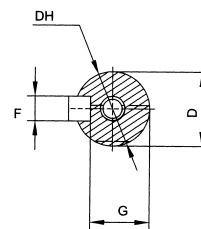
56-160



180-200

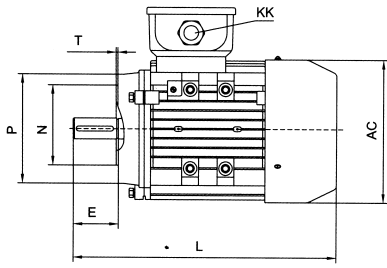


180-200

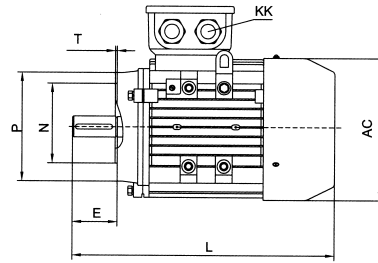


DIMENSIONI B35  
DIMENSION B35

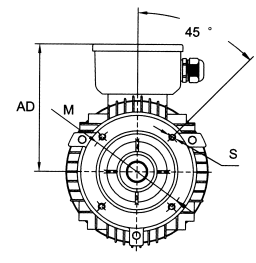
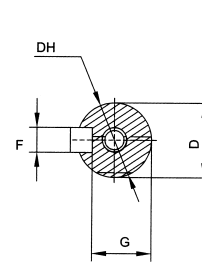
| Type | A   | AA  | AB  | BB  | HA | AC  | AD  | B   | C   | D  | DH     | E   | F  | G    | H   | K    | KK        |        | Overall dimensions |     |     |     |    |     |
|------|-----|-----|-----|-----|----|-----|-----|-----|-----|----|--------|-----|----|------|-----|------|-----------|--------|--------------------|-----|-----|-----|----|-----|
|      |     |     |     |     |    |     |     |     |     |    |        |     |    |      |     |      | Metric    | PG     | L                  | M   | N   | P   | S  | T   |
| 56   | 90  | 23  | 115 | 88  | 7  | 110 | 100 | 71  | 36  | 9  | M4X12  | 20  | 3  | 7.2  | 56  | 5.8  | 1-M20X1.5 | 1-PG11 | 199                | 100 | 80  | 120 | 7  | 3.0 |
| 63   | 100 | 24  | 235 | 100 | 7  | 130 | 111 | 80  | 40  | 11 | M4X12  | 23  | 4  | 8.5  | 63  | 7.0  | 1-M20X1.5 | 1-PG11 | 217                | 115 | 95  | 140 | 10 | 3.0 |
| 71   | 112 | 26  | 150 | 110 | 8  | 145 | 118 | 90  | 45  | 14 | M5X12  | 30  | 5  | 11   | 71  | 7.0  | 1-M20X1.5 | 1-PG11 | 245                | 130 | 110 | 160 | 12 | 3.5 |
| 80   | 125 | 35  | 165 | 125 | 9  | 175 | 134 | 100 | 50  | 19 | M6X16  | 40  | 6  | 15.5 | 80  | 10.0 | 1-M25X1.5 | 1-PG16 | 287                | 165 | 130 | 200 | 12 | 3.5 |
| 90S  | 140 | 37  | 180 | 125 | 10 | 195 | 140 | 100 | 56  | 24 | M8X19  | 50  | 8  | 20.0 | 90  | 10.0 | 1-M25X1.5 | 1-PG16 | 315                | 165 | 130 | 200 | 12 | 3.5 |
| 90L  | 147 | 37  | 180 | 150 | 10 | 195 | 140 | 125 | 56  | 24 | M8X19  | 50  | 8  | 20.0 | 90  | 10.0 | 1-M25X1.5 | 1-PG16 | 340                | 165 | 130 | 200 | 12 | 3.5 |
| 100L | 160 | 40  | 205 | 172 | 11 | 215 | 160 | 140 | 63  | 28 | M10X22 | 60  | 8  | 24.0 | 100 | 12.0 | 1-M32X1.5 | 1-PG21 | 385                | 215 | 180 | 250 | 15 | 4.0 |
| 112M | 190 | 41  | 230 | 181 | 12 | 240 | 178 | 140 | 70  | 28 | M10X22 | 60  | 8  | 24.0 | 112 | 12.0 | 2-M32X1.5 | 2-PG21 | 400                | 215 | 180 | 250 | 15 | 4.0 |
| 132S | 216 | 51  | 270 | 186 | 15 | 275 | 206 | 140 | 89  | 38 | M12X28 | 80  | 10 | 33.0 | 132 | 12   | 2-M32X1.5 | 2-PG21 | 483                | 265 | 230 | 300 | 15 | 4.0 |
| 132M | 216 | 51  | 270 | 224 | 15 | 275 | 206 | 178 | 89  | 38 | M12X28 | 80  | 10 | 33.0 | 132 | 12.0 | 2-M32X1.5 | 2-PG21 | 510                | 265 | 230 | 300 | 15 | 4.0 |
| 160M | 254 | 55  | 320 | 260 | 18 | 330 | 255 | 210 | 108 | 42 | M16X36 | 110 | 12 | 37.0 | 160 | 15.0 | 2-M40X1.5 | 2-PG29 | 615                | 300 | 250 | 350 | 19 | 5.0 |
| 160L | 254 | 55  | 320 | 304 | 18 | 330 | 255 | 254 | 108 | 42 | M16X36 | 110 | 12 | 37.0 | 160 | 16.0 | 2-M40X1.5 | 2-PG29 | 670                | 300 | 250 | 350 | 19 | 5.0 |
| 180M | 279 | 75  | 350 | 315 | 18 | 355 | 272 | 241 | 121 | 48 | M16*36 | 110 | 14 | 42.5 | 180 | 15   | 2-M32X1.5 | 2-PG29 | 765                | 300 | 250 | 350 | 19 | 5   |
| 180L | 279 | 75  | 350 | 315 | 18 | 355 | 272 | 279 | 121 | 48 | M16*36 | 110 | 14 | 42.5 | 180 | 15   | 2-M32X1.5 | 2-PG29 | 765                | 300 | 250 | 350 | 19 | 5   |
| 200L | 318 | 100 | 398 | 355 | 24 | 355 | 272 | 305 | 133 | 55 | M20*42 | 110 | 16 | 49   | 200 | 19   | 2-M32X1.5 | 2-PG36 | 790                | 350 | 300 | 400 | 19 | 5   |



**56-90**



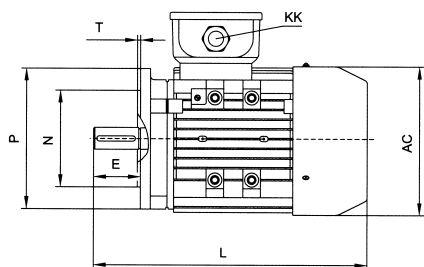
**100-160**



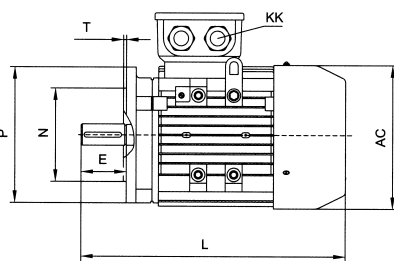
**56-160**

**DIMENSIONI B14A**  
**DIMENSION B14A**

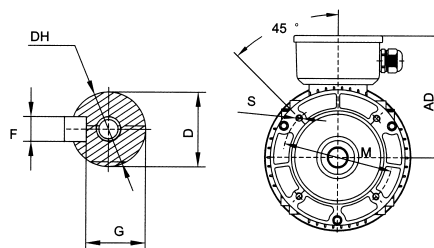
| Type | AC  | AD  | D  | DH     | E   | F  | G    | KK        |        | L   | M   | N   | P   | S   | T   |
|------|-----|-----|----|--------|-----|----|------|-----------|--------|-----|-----|-----|-----|-----|-----|
|      |     |     |    |        |     |    |      | Metric    | PG     |     |     |     |     |     |     |
| 56   | 110 | 100 | 9  | M4X12  | 20  | 3  | 7.2  | 1-M20X1.5 | 1-PG11 | 199 | 65  | 50  | 80  | M5  | 2.5 |
| 63   | 130 | 111 | 11 | M4X12  | 23  | 4  | 8.5  | 1-M20X1.5 | 1-PG11 | 217 | 75  | 60  | 90  | M5  | 2.5 |
| 71   | 145 | 114 | 18 | M5X12  | 30  | 5  | 11.0 | 1-M20X1.5 | 1-PG11 | 245 | 85  | 70  | 105 | M6  | 2.5 |
| 80   | 175 | 134 | 19 | M6X16  | 40  | 6  | 15.5 | 1-M25X1.5 | 1-PG16 | 297 | 100 | 80  | 120 | M6  | 3.0 |
| 90S  | 195 | 140 | 24 | M8X19  | 50  | 8  | 20.0 | 1-M25X1.5 | 1-PG16 | 315 | 115 | 95  | 140 | M8  | 3.0 |
| 90L  | 195 | 140 | 24 | M8X19  | 50  | 8  | 20.0 | 1-M25X1.5 | 1-PG16 | 340 | 115 | 95  | 140 | M8  | 3.0 |
| 100L | 215 | 160 | 28 | M10X22 | 60  | 8  | 24.0 | 1-M32X1.5 | 1-PG21 | 385 | 130 | 110 | 160 | M8  | 3.5 |
| 112M | 240 | 178 | 28 | M10X22 | 60  | 88 | 24.0 | 2-M32X1.5 | 2-PG21 | 430 | 130 | 110 | 160 | M8  | 3.5 |
| 132S | 275 | 206 | 38 | M12X28 | 80  | 10 | 33.0 | 2-M32X1.5 | 2-PG21 | 483 | 165 | 130 | 200 | M10 | 3.5 |
| 132M | 275 | 206 | 38 | M12X28 | 80  | 10 | 33.0 | 2-M32X1.5 | 2-PG21 | 510 | 165 | 130 | 200 | M10 | 3.5 |
| 160M | 330 | 255 | 42 | M16X36 | 110 | 12 | 37.0 | 2-M40X1.5 | 2-PG29 | 615 | 215 | 180 | 250 | M12 | 4.0 |
| 160L | 330 | 255 | 42 | M16X36 | 110 | 12 | 37.0 | 2-M40X1.5 | 2-PG29 | 615 | 215 | 180 | 250 | M12 | 4.0 |



56-90



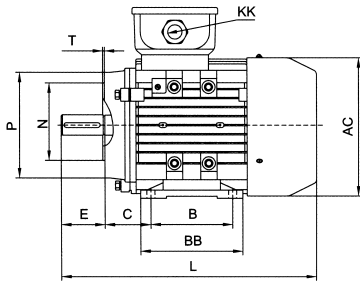
100-160



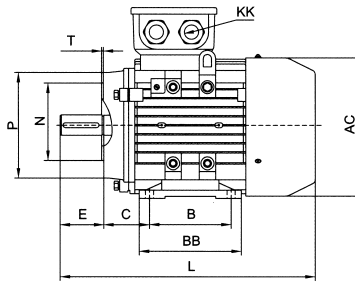
56-160

DIMENSIONI B14B  
DIMENSION B14B

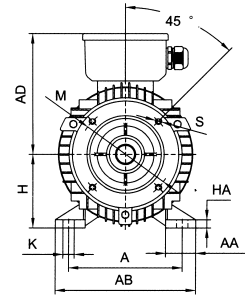
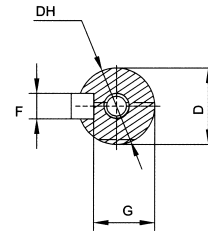
| Type | AC  | AD  | D  | DH     | E   | F  | G    | KK        |        | L   | M   | N   | P   | S   | T   |
|------|-----|-----|----|--------|-----|----|------|-----------|--------|-----|-----|-----|-----|-----|-----|
|      |     |     |    |        |     |    |      | Metric    | PG     |     |     |     |     |     |     |
| 56   | 110 | 100 | 9  | M4X12  | 20  | 3  | 7.2  | 1-M20X1.5 | 1-PG11 | 199 | 85  | 70  | 105 | M6  | 2.5 |
| 63   | 130 | 111 | 11 | M4X12  | 23  | 4  | 8.5  | 1-M20X1.5 | 1-PG11 | 217 | 100 | 80  | 120 | M6  | 2.5 |
| 71   | 145 | 118 | 14 | M5X12  | 30  | 5  | 11.0 | 1-M20X1.5 | 1-PG11 | 245 | 115 | 95  | 140 | M8  | 3.0 |
| 80   | 175 | 134 | 19 | M6X16  | 40  | 6  | 15.5 | 1-M25X1.5 | 1-PG16 | 297 | 130 | 110 | 160 | M8  | 3.5 |
| 90S  | 195 | 140 | 24 | M8X19  | 50  | 8  | 20.0 | 1-M25X1.5 | 1-PG16 | 315 | 130 | 110 | 160 | M8  | 3.5 |
| 90L  | 195 | 140 | 25 | M8X19  | 50  | 8  | 20.0 | 1-M25X1.5 | 1-PG16 | 340 | 130 | 110 | 160 | M8  | 3.5 |
| 100L | 215 | 160 | 28 | M10X22 | 60  | 8  | 24.0 | 1-M32X1.5 | 1-PG21 | 385 | 165 | 130 | 200 | M10 | 3.5 |
| 112M | 240 | 178 | 28 | M10X22 | 60  | 88 | 24.0 | 2-M32X1.5 | 2-PG21 | 400 | 165 | 130 | 200 | M10 | 3.5 |
| 132S | 275 | 206 | 38 | M12X28 | 80  | 10 | 33.0 | 2-M32X1.5 | 2-PG21 | 483 | 215 | 180 | 250 | M12 | 4.0 |
| 132M | 274 | 206 | 38 | M12X28 | 80  | 10 | 33.0 | 2-M32X1.5 | 2-PG21 | 510 | 215 | 180 | 250 | M12 | 4.0 |
| 160M | 330 | 255 | 42 | M16X36 | 110 | 12 | 37.0 | 2-M40X1.5 | 2-PG29 | 615 | 265 | 230 | 300 | M16 | 5.0 |
| 160L | 330 | 255 | 42 | M16X36 | 110 | 12 | 37.0 | 2-M40X1.5 | 2-PG29 | 670 | 265 | 230 | 300 | M16 | 5.0 |



**56-90**



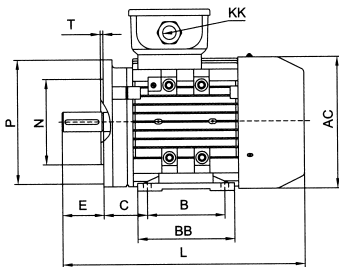
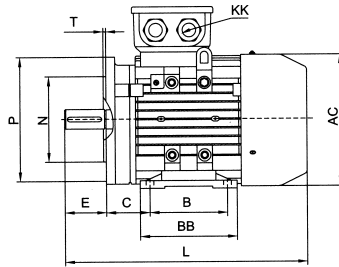
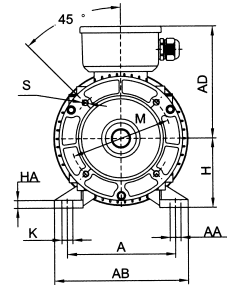
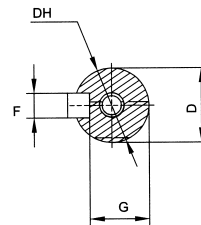
**90-160**



**56-160**

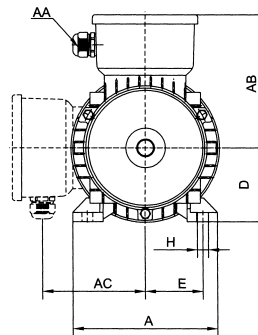
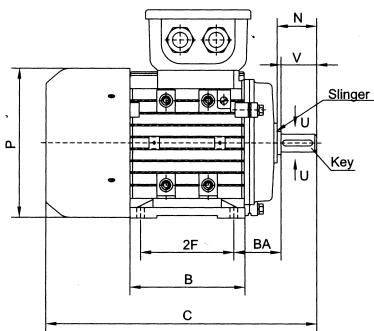
**DIMENSIONI B34A  
DIMENSION B34A**

| Type | AC  | AD  | D  | DH     | E   | F  | G    | KK        |        | L   | M   | N   | P   | S   | T   |
|------|-----|-----|----|--------|-----|----|------|-----------|--------|-----|-----|-----|-----|-----|-----|
|      |     |     |    |        |     |    |      | Metric    | PG     |     |     |     |     |     |     |
| 56   | 110 | 100 | 9  | M4X12  | 20  | 3  | 7.2  | 1-M20X1.5 | 1-PG11 | 199 | 65  | 50  | 80  | M5  | 2.5 |
| 63   | 130 | 110 | 11 | M4X12  | 23  | 4  | 8.5  | 1-M20X1.5 | 1-PG11 | 217 | 75  | 60  | 90  | M5  | 2.5 |
| 71   | 145 | 118 | 14 | M5X12  | 30  | 5  | 11.0 | 1-M20X1.5 | 1-PG11 | 245 | 85  | 70  | 105 | M6  | 2.5 |
| 80   | 175 | 134 | 19 | M6X16  | 40  | 6  | 15.5 | 1-M25X1.5 | 1-PG16 | 297 | 100 | 80  | 120 | M6  | 3.0 |
| 90S  | 195 | 140 | 24 | M8X19  | 50  | 8  | 20.0 | 1-M25X1.5 | 1-PG16 | 315 | 115 | 95  | 140 | M8  | 3.0 |
| 90L  | 195 | 140 | 24 | M8X19  | 50  | 8  | 20.0 | 1-M25X1.5 | 1-PG16 | 340 | 315 | 95  | 140 | M8  | 3.0 |
| 100L | 215 | 160 | 29 | M10X22 | 60  | 8  | 24.0 | 1-M32X1.5 | 1-PG21 | 385 | 130 | 110 | 160 | M8  | 3.5 |
| 112M | 240 | 178 | 28 | M10X22 | 60  | 88 | 24.0 | 2-M32X1.5 | 2-PG21 | 400 | 130 | 110 | 160 | M8  | 3.5 |
| 132S | 275 | 206 | 38 | M12X28 | 80  | 10 | 33.0 | 2-M32X1.5 | 2-PG21 | 483 | 165 | 130 | 200 | M10 | 3.5 |
| 132M | 275 | 206 | 38 | M12X28 | 80  | 10 | 33.0 | 2-M32X1.5 | 2-PG21 | 510 | 165 | 130 | 200 | M10 | 3.5 |
| 160M | 330 | 255 | 42 | M16X36 | 110 | 12 | 37.0 | 2-M40X1.5 | 2-PG29 | 615 | 215 | 180 | 250 | M12 | 4.0 |
| 160L | 330 | 255 | 42 | M16X36 | 110 | 12 | 37.0 | 2-M40X1.5 | 2-PG29 | 670 | 215 | 180 | 250 | M12 | 4.0 |

**56-90****100-160****56-160**

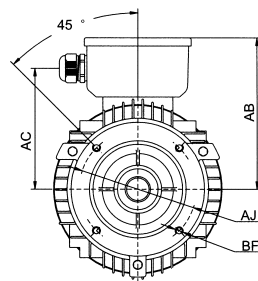
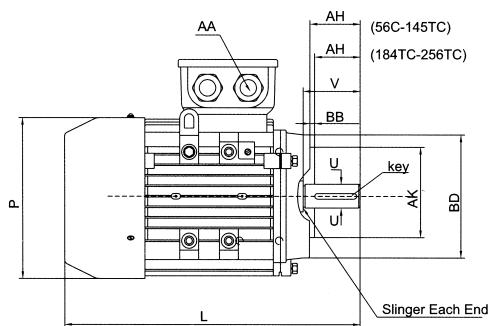
## DIMENSIONI B34B DIMENSION B34B

| Type | AC  | AD  | D  | DH     | E   | F  | G    | KK        |        | L   | M   | N   | P   | S   | T   |
|------|-----|-----|----|--------|-----|----|------|-----------|--------|-----|-----|-----|-----|-----|-----|
|      |     |     |    |        |     |    |      | Metric    | PG     |     |     |     |     |     |     |
| 56   | 110 | 100 | 9  | M4X12  | 20  | 3  | 7.2  | 1-M20X1.5 | 1-PG11 | 199 | 85  | 70  | 105 | M6  | 2.5 |
| 63   | 130 | 111 | 11 | M4X12  | 23  | 4  | 8.5  | 1-M20X1.5 | 1-PG11 | 217 | 100 | 80  | 120 | M6  | 2.5 |
| 71   | 145 | 118 | 14 | M5X12  | 30  | 5  | 11.0 | 1-M20X1.5 | 1-PG11 | 245 | 115 | 95  | 140 | M8  | 3.0 |
| 80   | 175 | 134 | 19 | M6X16  | 40  | 6  | 15.5 | 1-M25X1.5 | 1-PG16 | 297 | 130 | 110 | 160 | M8  | 3.5 |
| 90S  | 195 | 140 | 24 | M8X19  | 50  | 8  | 20.0 | 1-M25X1.5 | 1-PG16 | 315 | 130 | 110 | 160 | M8  | 3.5 |
| 90L  | 195 | 140 | 24 | M8X19  | 50  | 8  | 20.0 | 1-M25X1.5 | 1-PG16 | 340 | 130 | 110 | 160 | M8  | 3.5 |
| 100L | 215 | 160 | 28 | M10X22 | 60  | 8  | 24.0 | 1-M32X1.5 | 1-PG21 | 385 | 165 | 130 | 200 | M10 | 3.5 |
| 112M | 240 | 178 | 28 | M10X22 | 60  | 88 | 24.0 | 2-M32X1.5 | 2-PG21 | 400 | 165 | 130 | 200 | M10 | 3.5 |
| 132S | 275 | 206 | 38 | M12X28 | 80  | 10 | 33.0 | 2-M32X1.5 | 2-PG21 | 483 | 215 | 180 | 250 | M12 | 4.0 |
| 132M | 275 | 206 | 38 | M12X28 | 80  | 10 | 33.0 | 2-M32X1.5 | 2-PG21 | 510 | 215 | 180 | 250 | M12 | 4.0 |
| 160M | 330 | 255 | 42 | M16X36 | 110 | 12 | 37.0 | 2-M40X1.5 | 2-PG29 | 615 | 265 | 230 | 300 | M16 | 5.0 |
| 160L | 330 | 255 | 42 | M16X36 | 110 | 12 | 37.0 | 2-M40X1.5 | 2-PG29 | 670 | 265 | 230 | 300 | M16 | 5.0 |



**NEMA - DIMENSIONI 143T-286T**  
**NEMA - DIMENSIONI 143T-286T**

| NEMA Type | IEC Type | A     | B     | D    | E    | 2F    | H    | Key  | N    | O     | P     | U     | V    | AA   | AB    | AC    | BA    |
|-----------|----------|-------|-------|------|------|-------|------|------|------|-------|-------|-------|------|------|-------|-------|-------|
| 143T      |          |       |       |      |      |       |      |      |      |       |       |       |      |      |       |       |       |
| 145T      | IEC90    | 6.50  | 5.88  | 3.50 | 2.75 | 5.00  | 0.38 | 0.19 | 2.50 | 7.48  | 8.00  | 0.875 | 2.25 | 0.75 | 6.38  | 5.00  | 2.25* |
| 182T      |          |       |       |      |      | 4.50  |      |      |      |       |       |       |      |      |       |       |       |
| 184T      | IEC112   | 8.62  | 6.50  | 4.50 | 3.75 | 5.50  | 0.41 | 0.25 | 2.81 | 9.23  | 10.12 | 1.125 | 2.75 | 0.75 | 7.12  | 5.75  | 2.75  |
| 213T      |          |       |       |      |      | 5.50  |      |      |      |       |       |       |      |      |       |       |       |
| 215T      | IEC132   | 9.62  | 8.12  | 5.25 | 4.25 | 7.00  | 0.41 | 0.31 | 3.88 | 10.99 | 12.18 | 1.375 | 3.38 | 1.00 | 9.22  | 7.43  | 3.50  |
| 245T      |          |       |       |      |      | 8.25  |      |      |      |       |       |       |      |      |       |       |       |
| 256T      | IEC160   | 11.50 | 11.50 | 6.25 | 5.00 | 10.00 | 0.53 | 0.38 | 4.20 | 12.96 | 13.44 | 1.625 | 4.00 | 1.25 | 10.48 | 8.66  | 4.25  |
| 284T      |          |       |       |      |      | 9.50  |      |      |      |       |       |       |      |      |       |       |       |
| 286T      | IEC180   | 12.76 | 12.75 | 7.00 | 5.50 | 11.00 | 0.53 | 0.38 | 4.88 | 14.74 | 15.54 | 1.875 | 4.63 | 1.50 | 12.46 | 10.14 | 4.75  |



**NEMA - DIMENSIONI 56C, 143TC-286TC**  
**NEMA - DIMENSION 56C, 143TC-286TC**

| NEMA Type | IEC Type | A     | B     | D    | E    | 2F    | H    | Key  | O     | P     | U     | V    | AA   | AB    | AC    | AH   | AJ   | AK    | BB   | BD    | Tap BF  | BA    |
|-----------|----------|-------|-------|------|------|-------|------|------|-------|-------|-------|------|------|-------|-------|------|------|-------|------|-------|---------|-------|
| 56C       | IEC90    | 6.50  | 4.95  | 3.50 | 2.44 | 3.00  | 0.34 | 0.19 | 6.81  | 8.02  | 0.625 | 1.88 | 0.75 | 6.36  | 5.00  | 2.06 | 5.88 | 4.50  | 0.13 | 6.48  | 0.38-16 | 2.25* |
| 143TC     |          |       |       |      |      | 4.00  |      |      |       |       |       |      |      |       |       |      |      |       |      |       |         |       |
| 145TC     | IEC90    | 6.50  | 5.88  | 3.50 | 2.75 | 5.00  | 0.38 | 0.19 | 7.48  | 8.00  | 0.875 | 2.12 | 0.75 | 6.38  | 5.00  | 2.25 | 5.88 | 4.50  | 0.13 | 6.51  | 0.38-16 | 2.25  |
| 182TC     |          |       |       |      |      | 4.50  |      |      |       |       |       |      |      |       |       |      |      |       |      |       |         |       |
| 184TC     | IEC112   | 8.62  | 6.50  | 4.50 | 3.75 | 5.50  | 0.41 | 0.25 | 9.23  | 10.12 | 1.125 | 2.62 | 0.75 | 7.12  | 5.75  | 2.75 | 7.25 | 8.50  | 0.25 | 9.00  | 0.50-13 | 2.75  |
| 213TC     |          |       |       |      |      | 5.50  |      |      |       |       |       |      |      |       |       |      |      |       |      |       |         |       |
| 215TC     | IEC132   | 9.62  | 8.12  | 5.25 | 4.25 | 7.00  | 0.41 | 0.31 | 10.99 | 12.18 | 1.375 | 3.38 | 1.00 | 9.22  | 7.43  | 3.15 | 7.25 | 8.50  | 0.25 | 9.06  | 0.50-13 | 3.50  |
| 254TC     |          |       |       |      |      | 8.25  |      |      |       |       |       |      |      |       |       |      |      |       |      |       |         |       |
| 256TC     | IEC160   | 11.50 | 11.50 | 6.25 | 5.00 | 10.00 | 0.53 | 0.38 | 12.96 | 13.44 | 1.625 | 4.00 | 1.25 | 10.48 | 8.66  | 3.75 | 7.25 | 8.50  | 0.25 | 9.13  | 0.50-13 | 4.25  |
| 284TC     |          |       |       |      |      | 9.50  |      |      |       |       |       |      |      |       |       |      |      |       |      |       |         |       |
| 286TC     | IEC180   | 12.76 | 12.75 | 7.00 | 5.50 | 11.00 | 0.53 | 0.38 | 14.74 | 15.54 | 1.875 | 4.63 | 1.50 | 12.46 | 10.14 | 4.38 | 9.00 | 10.50 | 0.25 | 11.23 | 0.50-13 | 4.75  |

## CUSCINETTI BEARINGS

| Frame size | Poles  | Driving End                | Non-driving End            |
|------------|--------|----------------------------|----------------------------|
| 56         | 2 TO 4 | 6201 2RS-C3 ( 6201 ZZ-C3 ) | 6201 2RS-C3 ( 6201 ZZ-C3 ) |
| 63         | 2 TO 6 | 6201 2RS-C3 ( 6201 ZZ-C3 ) | 6201 2RS-C3 ( 6201 ZZ-C3 ) |
| 71         | 2 TO 8 | 6202 2RS-C3 ( 6202 ZZ-C3 ) | 6202 2RS-C3 ( 6202 ZZ-C3 ) |
| 80         | 2 TO 8 | 6204 2RS-C3 ( 6204 ZZ-C3 ) | 6204 2RS-C3 ( 6204 ZZ-C3 ) |
| 90         | 2 TO 8 | 6205 2RS-C3 ( 6205 ZZ-C3 ) | 6205 2RS-C3 ( 6205 ZZ-C3 ) |
| 100        | 2 TO 8 | 6206 2RS-C3 ( 6206 ZZ-C3 ) | 6206 2RS-C3 ( 6206 ZZ-C3 ) |
| 112        | 2 TO 8 | 6206 2RS-C3 ( 6206 ZZ-C3 ) | 6206 2RS-C3 ( 6206 ZZ-C3 ) |
| 132        | 2 TO 8 | 6208 2RS-C3 ( 6208 ZZ-C3 ) | 6208 2RS-C3 ( 6208 ZZ-C3 ) |
| 160        | 2 TO 8 | 6309 2RS-C3 ( 6309 ZZ-C3 ) | 6309 2RS-C3 ( 6309 ZZ-C3 ) |
| 180        | 2 TO 8 | 6311 ZZ-C3                 | 6311 ZZ C3                 |
| 200        | 2 TO 8 | 6312 ZZ-C3                 | 6312 ZZ-C3                 |





