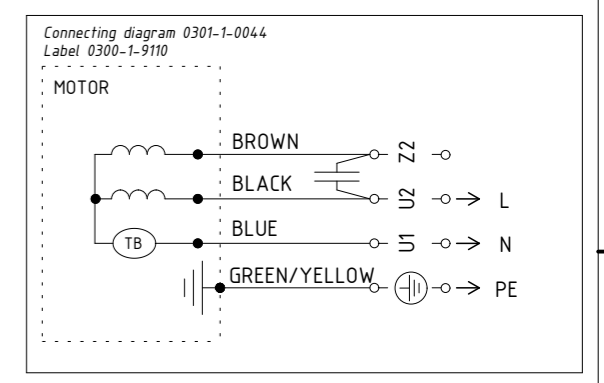
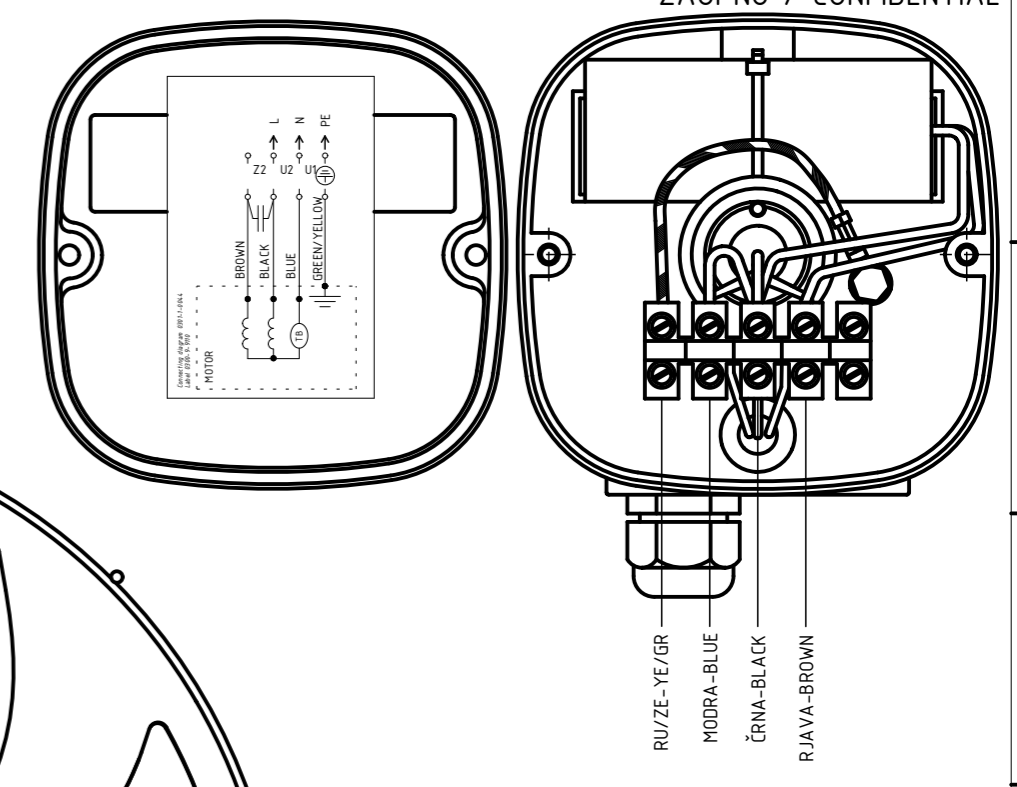
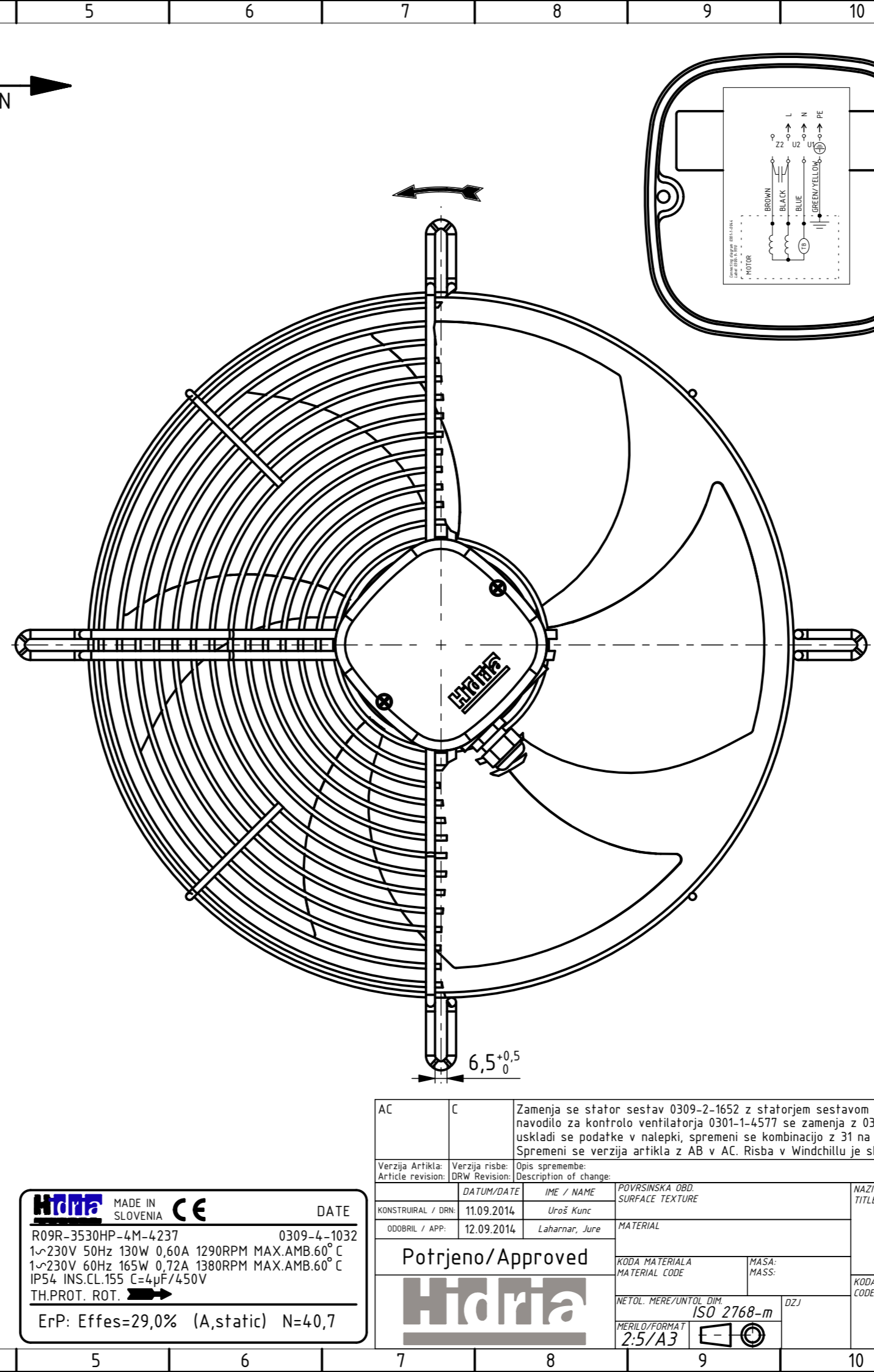
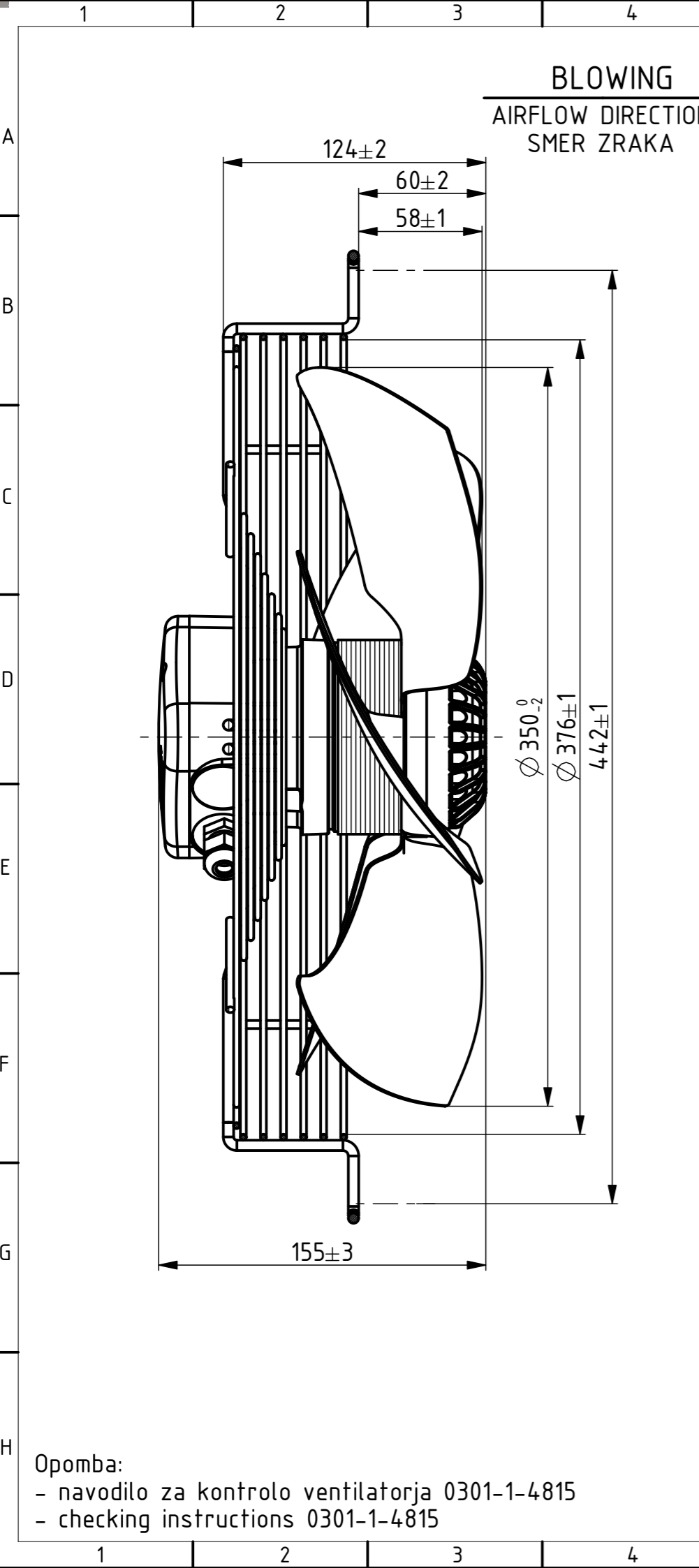


All drawings, regardless of form, are owned by Hidria Rotomatika d.o.o. and are strictly confidential and present copyright. Intellectual Property Rights as follows rights under the laws of patent, petty patents, design patents and registered designs, copyrights, trade secret rights, and similar exclusive rights in industrial property connected with the drawings are reserved by Hidria Rotomatika d.o.o.. Disclosure to any third party is strictly forbidden.



Opomba:
 - navodilo za kontrolo ventilatorja 0301-1-4815
 - checking instructions 0301-1-4815

Hidria	MADE IN SLOVENIA	CE	DATE
R09R-3530HP-4M-4237			0309-4-1032
1~230V 50Hz 130W 0,60A 1290RPM MAX.AMB.60° C 1~230V 60Hz 165W 0,72A 1380RPM MAX.AMB.60° C IP54 INS.CL.155 C=4µF/450V TH.PROT. ROT.			
ErP: Effes=29,0% (A,static) N=40,7			

AC	C	Zamenja se stator sestav 0309-2-1652 z statorjem sestavom 0309-2-1383 - ErP2015 ustrezen, navodilo za kontrolo ventilatorja 0301-1-4577 se zamenja z 0301-1-4815, uskladi se podatke v nalepki, spremeni se kombinacijo z 31 na 37, Spremeni se verzija artikla z AB v AC. Risba v Windchillu je skladna z risbo v arhivu.	11.09.14	Jure L.
Verzija Artikla:	Verzija risbe:	Opis spremembe:	Datum:	Izdelal:
Article revision:	DRW Revision:	Description of change:	Date:	Produced:

KONSTRUIRAL / DRN:	11.09.2014	Uroš Kunc	POVRŠINSKA OBD. SURFACE TEXTURE	NAZIV: TITLE:	VENTILATOR R09R-3530HP-4M-4237
ODOBRIL / APP:	12.09.2014	Laharnar, Jure	MATERIAL	KODA: CODE:	
Potrjeno/Approved			KODA MATERIALA MATERIAL CODE	MASA: MASS:	0309-4-1032 0309-4-1032
Hidria			NETOL. MERE/UNTOL DIM ISO 2768-m	DZJ	
			MERIL/FORMAT 2:5/A3		VERZIJA ARTIKLA: REVISION ARTICLE: AC
					VERZIJA RISBE: DRW REVISION: C.2
					LIST/SHEET: 1/1

ZAUPNO / CONFIDENTIAL