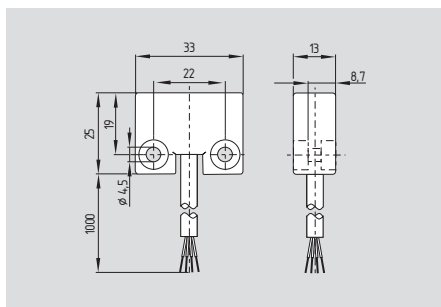


Safety sensors

EX-BNS 250-...-3G/D



- Ex certified
- Thermoplastic enclosure
- Coded
- Smallest design
- Long life, no mechanical wear
- Protection class IP 67
- Actuation only possible with EX-BPS 250
- Insensitive to lateral misalignment
- Concealed mounting possible
- Insensitive to soiling

Approvals



Ordering details

EX-BNS 250-①z②-③-3G/D

No.	Replace	Description
①	11	1 NO / 1 NC
	12	1 NO / 2 NC
②	G	Without LED
		With LED
③	2187	Individual contact outlet (only with 1 NO / 2 NC)

Technical data

Equipment category:	II 3GD
Ex protection:	EEx nC IIC T6 X
EX-BNS 250:	Ex tD A22 IP67 T80°C X
EX-BPS 250:	EEx nA T6 X
	Ex tD A22 IP67 T80°C X
Standards:	IEC 60947-5-3 IEC 61241-1 IEC 60079-15 BG-GS-ET-14
Design:	rectangular
Enclosure:	glass-fibre reinforced thermoplastic
Max. impact energy:	1 J
Protection class:	IP 67 to IEC/EN 60529
Connection:	Boflex cable
Cable section:	4 x 0.25 mm ² ordering suffix -2187: 6 x 0.25 mm ²
Mode of operation:	magnetic
Actuating magnet:	EX-BPS 250, coded
Control category:	up to 4 to EN 954-1 in combination with a safety monitoring module
Classification:	up to PDF-M to IEC 60947-5-3 in combination with a safety monitoring module
S _{ao} :	4 mm
S _{ar} :	14 mm
Switching conditions indicator:	LED only for ordering suffix G
Max. switching voltage without LED:	24 VDC
with LED:	24 VDC
Max. switching current without LED:	100 mA
with LED:	10 mA
Max. switching capacity without LED:	1 W
with LED:	240 mW
Ambient temperature:	- 25 °C ... + 70 °C
Storage and transport temperature:	- 25 °C ... + 70 °C
Max. switching frequency:	5 Hz
Resistance to shock:	30 g / 11 ms
Resistance to vibration:	10 ... 55 Hz, amplitude 1 mm

Contact variants

1 NO / 1 NC



1 NO / 2 NC

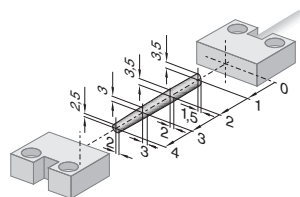


1 NO / 2 NC

(ordering suffix -2187 without LED)



Note



Enabling zone

The actuators for the magnetic safety sensors must be ordered separately.

Note

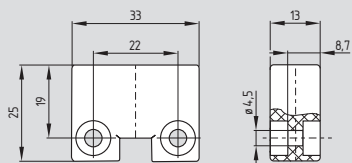
Contact symbols shown for the closed condition of the guard device.

The contact configuration for versions with or without LED is identical.

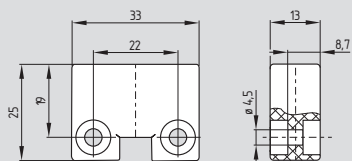
The LED is illuminated when the guard door is open.

Safety sensors

System components



Actuating magnet EX-BPS 250



Spacer BN 250

Ordering details

Actuating magnet
Spacer

EX-BPS 250
BN 250