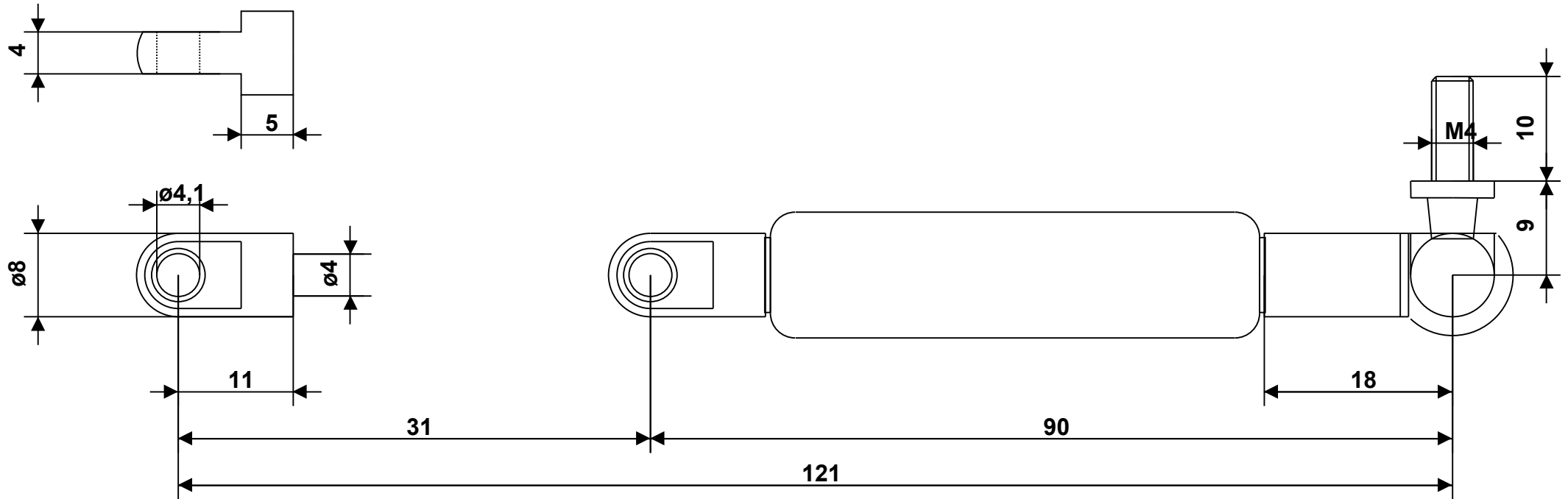


Hahn Part Number: G04-12ST#06439
 G 04 12 0030 1 0121 AU11 WX18 50N



Intended for internal use and customer / Tolerance of ext. length: +/- 2mm - Dimensions without tolerance: per DIN ISO 2768-1 -c (ISO 2768 -c) - For Information Only
 Force tolerance: F1 >= 1000N: +/- 5%; < 1000N: +/- 10%, min.: +/- 10N, max.: +/- 50N - Unregistered Copy, Print-out or file not subject to modification service.
 End fitting orientation is random and not represented by drawing unless specified - Observe disposal instructions - Not true to scale



Please note our technical instructions

Assembly/storing with piston rod down

04. Feb 2021

Auto-Printservice

No opening-no heating-high pressure

Made in Germany

Part

Dimension

Material / Surface

Fitting

Progr.:27,60 %

Drawing owned by Hahn Gasfedern GmbH

Piston rod

Ø4mm

V2a

AU11 M3,5 Ø4,1 t=4 * ANS/M04/AUG/001

info@hahn-gasfedern.de

Cylinder

Ø12mm

Stahl,black

WX18 M3.5/M4 CS8 * ANS/M04/WIG/001

www.hahn-gasfedern.de

Configuration ID : 10108983-