

max. 102 m³/h

DC axial fans

□ 92 x 25 mm

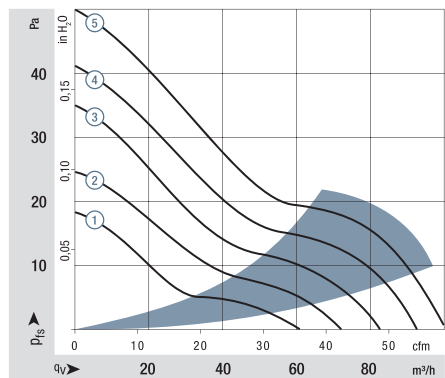


- **Material:** Housing: GRP¹⁾ (PBT)
Impeller: GRP¹⁾ (PA)
 - **Direction of air flow:** Exhaust over struts
 - **Direction of rotation:** Counter-clockwise, seen on rotor
 - **Connection:** Via single wires AWG 24, TR 64
 - **Mass:** 100 g
- **Possible special versions:** (See chapter DC fans - specials)
 - Speed signal
 - Go- / NoGo-alarm
 - Alarm with limit speed
 - External temperature sensor
 - Internal temperature sensor
 - PWM control input
 - Analog control input
 - Humidity protection
 - Degree of protection: IP 54 / IP 68

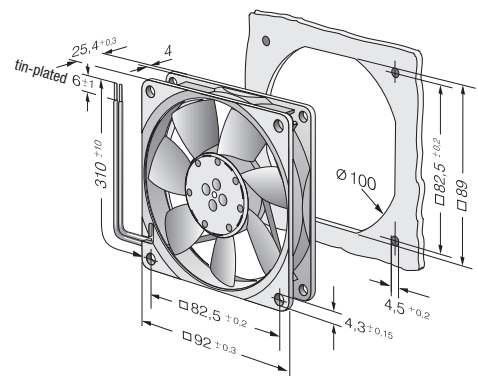
1) Fibreglass-reinforced plastic

Series 3400 N														
Nominal data	Air flow		Nominal voltage	Voltage range	Sound pressure level	Sound power level	Sinter sleeve bearings Ball bearings	Input power	Nominal speed	Temperature range	Service life L ₁₀ (40 °C) eIm-papst Standard	Service life L ₁₀ (T _{max}) eIm-papst Standard	Life expectancy L ₁₀ IPC (40 °C), see page 17	Curve
	Type	m ³ /h												
3412 NGLE	61	35,9	12	8...15	23	4,0	□	1,1	1 950	-20...+80	80 000 / 22 500	135 000	135 000	①
3412 NLE	61	35,9	12	8...15	23	4,0	■	0,8	1 950	-20...+85	80 000 / 17 500	135 000	135 000	①
3412 NGME	72	42,4	12	8...15	28	4,3	□	1,6	2 300	-20...+75	75 000 / 27 500	127 500	127 500	②
3412 NME	72	42,4	12	8...15	28	4,3	■	1,1	2 300	-20...+75	75 000 / 27 500	127 500	127 500	②
3412 NG	84	49,4	12	8...15	32	4,7	□	1,9	2 700	-20...+70	70 000 / 35 000	117 500	117 500	③
3412 N	84	49,4	12	8...15	32	4,7	■	1,7	2 700	-20...+70	70 000 / 35 000	117 500	117 500	③
3412 NGH	94	55,3	12	8...15	36	5,0	□	2,3	3 000	-20...+70	70 000 / 35 000	117 500	117 500	④
3412 NH	94	55,3	12	8...15	36	5,0	■	2,1	3 000	-20...+70	70 000 / 35 000	117 500	117 500	④
3412 NGHH	102	60,0	12	8...13,2	39	5,1	□	3,2	3 250	-20...+60	70 000 / 45 000	117 500	117 500	⑤
3412 NHH	102	60,0	12	8...13,2	39	5,1	■	2,9	3 250	-20...+60	70 000 / 45 000	117 500	117 500	⑤
3412 NHH-379	102	60,0	12	8...15	39	5,1	■	2,7	3 250	-20...+70	70 000 / 35 000	117 500	117 500	⑤
3414 NGL	61	35,9	24	18...28	23	4,0	□	1,4	1 950	-20...+70	80 000 / 40 000	135 000	135 000	①
3414 NL	61	35,9	24	18...28	23	4,0	■	1,1	1 950	-20...+70	80 000 / 40 000	135 000	135 000	①
3414 NGM	72	42,4	24	18...28	28	4,3	□	1,7	2 300	-20...+70	75 000 / 37 500	127 500	127 500	②
3414 NM	72	42,4	24	18...28	28	4,3	■	1,4	2 300	-20...+70	75 000 / 37 500	127 500	127 500	②
3414 NG	84	49,4	24	18...28	32	4,7	□	2,5	2 700	-20...+70	70 000 / 35 000	117 500	117 500	③
3414 N	84	49,4	24	18...28	32	4,7	■	2,1	2 700	-20...+70	70 000 / 35 000	117 500	117 500	③
3414 NGH	94	55,3	24	18...26	36	5,0	□	3,0	3 000	-20...+70	70 000 / 35 000	117 500	117 500	④
3414 NH	94	55,3	24	18...26	36	5,0	■	2,3	3 000	-20...+70	70 000 / 35 000	117 500	117 500	④
3414 NGHH	102	60,0	24	18...26	39	5,1	□	3,2	3 250	-20...+70	70 000 / 35 000	117 500	117 500	⑤
3414 NGHH-389	102	60,0	24	18...28	39	5,1	□	3,2	3 250	-20...+70	70 000 / 35 000	117 500	117 500	⑤
3414 NHH	102	60,0	24	18...26	39	5,1	■	3,1	3 250	-20...+70	70 000 / 35 000	117 500	117 500	⑤
3414 NHH-386	102	60,0	24	18...28	39	5,1	■	3,2	3 250	-20...+70	70 000 / 35 000	117 500	117 500	⑤
3418 N	84	49,4	48	36...56	32	4,7	■	2,4	2 700	-20...+70	70 000 / 35 000	117 500	117 500	③

Other 48 VDC models on request.



Air performance measured as per: ISO 5801, installation category A, without accidental contact.
Noise: Total sound power level L_{WA} ISO 103002 measured on half-sphere of 2 m;
Sound pressure level L_{pA} measured at 1 m distance to fan axis.
The acoustic values are only valid for the described measurement set-up and may vary depending on the installation situation.
In case of any deviation to the standard setup, the values have to be checked and reviewed once installed or fitted.
For detailed information see http://www.ebmpapst.com/general_conditions



Mouser Electronics

Authorized Distributor

Click to View Pricing, Inventory, Delivery & Lifecycle Information:

[ebm-papst:](#)

[3412NGLE](#) [3412NLE](#) [3412N](#) [3412NG](#) [3412NGH](#) [3412NH](#) [3412NHH](#) [3412NHH-379](#) [3414N](#) [3414NG](#) [3414NGH](#)
[3414NGHH](#) [3414NGL](#) [3414NGM](#) [3414NH](#) [3414NHH](#) [3414NHH-386](#) [3414NL](#) [3414NM](#)