

Alarm Pressure Switch

PS10

Technical Features

- **Dimensions** : 96mm (3.78") Width x 81 mm (3.20") Depth x 107mm (4.22") Height
- **Enclosure** :
Cover - Die cast with textured red powdercoat finish
Base - Plated steel
- **Pressure connection** : Nylon 1/2" NPT male
- **Switch Contacts** : Available with one or two contact sets of Single Pole Double Throw (SPDT) Form C switch contacts.
10,1 A @ 125/250VAC and 2,0 A @ 30VDC
- **Conduit Entrance** : Two DN15/1/2" conduit knockouts provided. Requires NEMA Type 4 conduit hub for outdoor installations.
- **Environmental Specifications** : Indoor or outdoor use ;
Temperature Range : -40°C (-40°F) to 60°C (140°F) ; NEMA 4/ IP55 Rated Enclosure - when used with proper conduit fittings. (Not for use in hazardous locations)
- **Tamper Protection** : Cover incorporates a tamper resistant fastener that requires a special key for removal (reference : VSR-FKEY). One key is supplied with each device. A field installable cover tamper switch is available as an option which may be used to indicate unauthorized removal of cover.



Alarm Devices

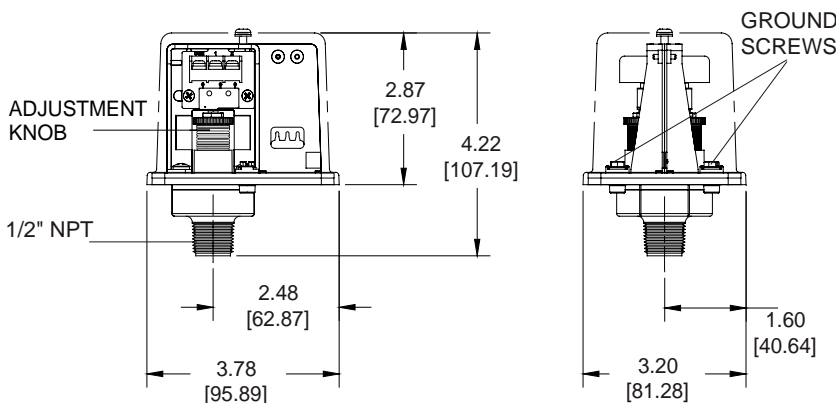
Alarm Pressure Switch - PS10

Physical Data

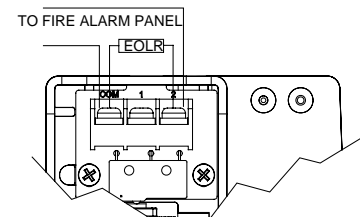
Reference	Max. Pressure (bar/psi)	SPDT Contact Set(s)	Operates on Pressure ¹		Max. Differential Pressure (bar/psi)	Thread Size
			Increase (bar/psi)	Decrease (bar/psi)		
PS101A	17.2 / 250	1	0.41 / 6	0.35 / 5	0.06 / 1	1/2" NPT male
PS102A	17.2 / 250	2	0.41 / 6	0.35 / 5	0.06 / 1	1/2" NPT male

¹ Indicates factory settings. Adjustable range is 0.3 to 1.03 bar (4 to 15 psi)

DIMENSIONS



LOW PRESSURE SIGNAL CONNECTION



WATERFLOW SIGNAL CONNECTION

