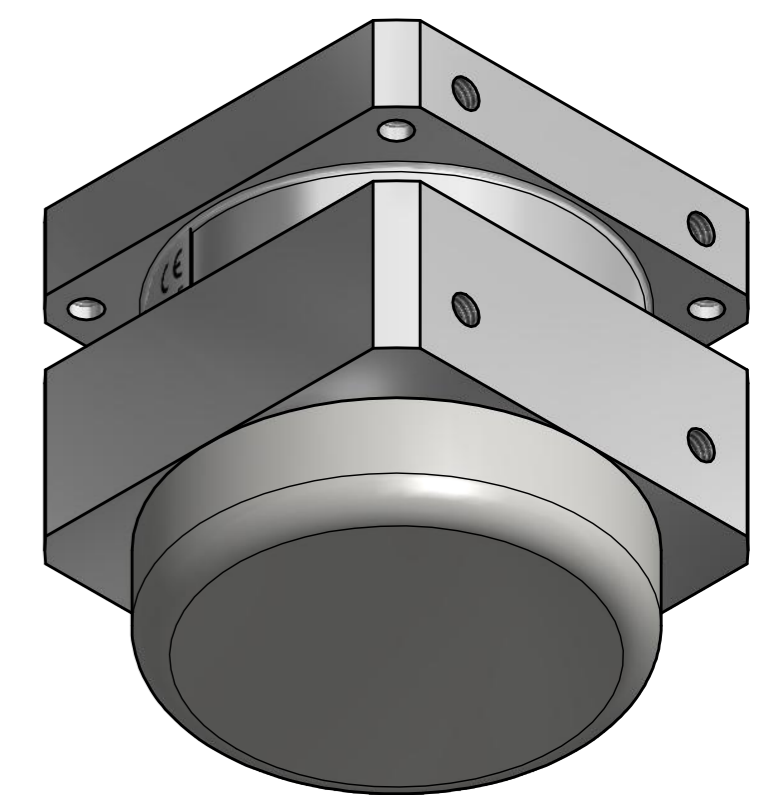
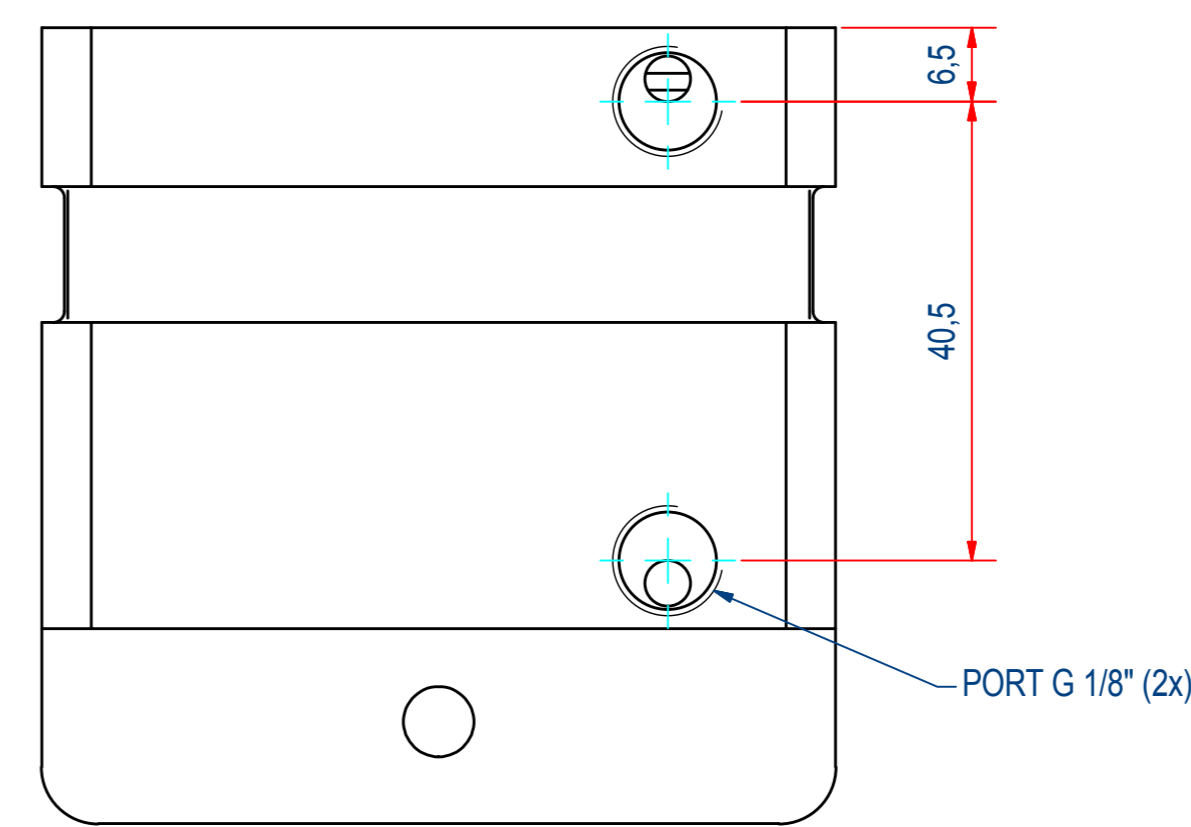
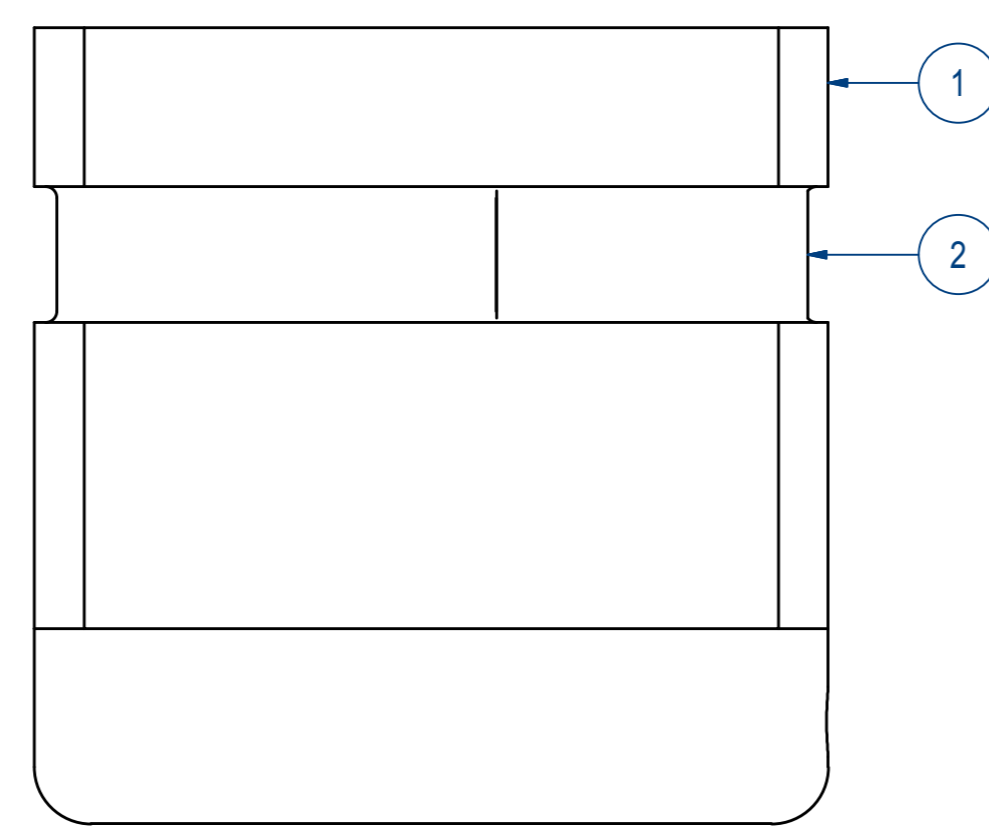
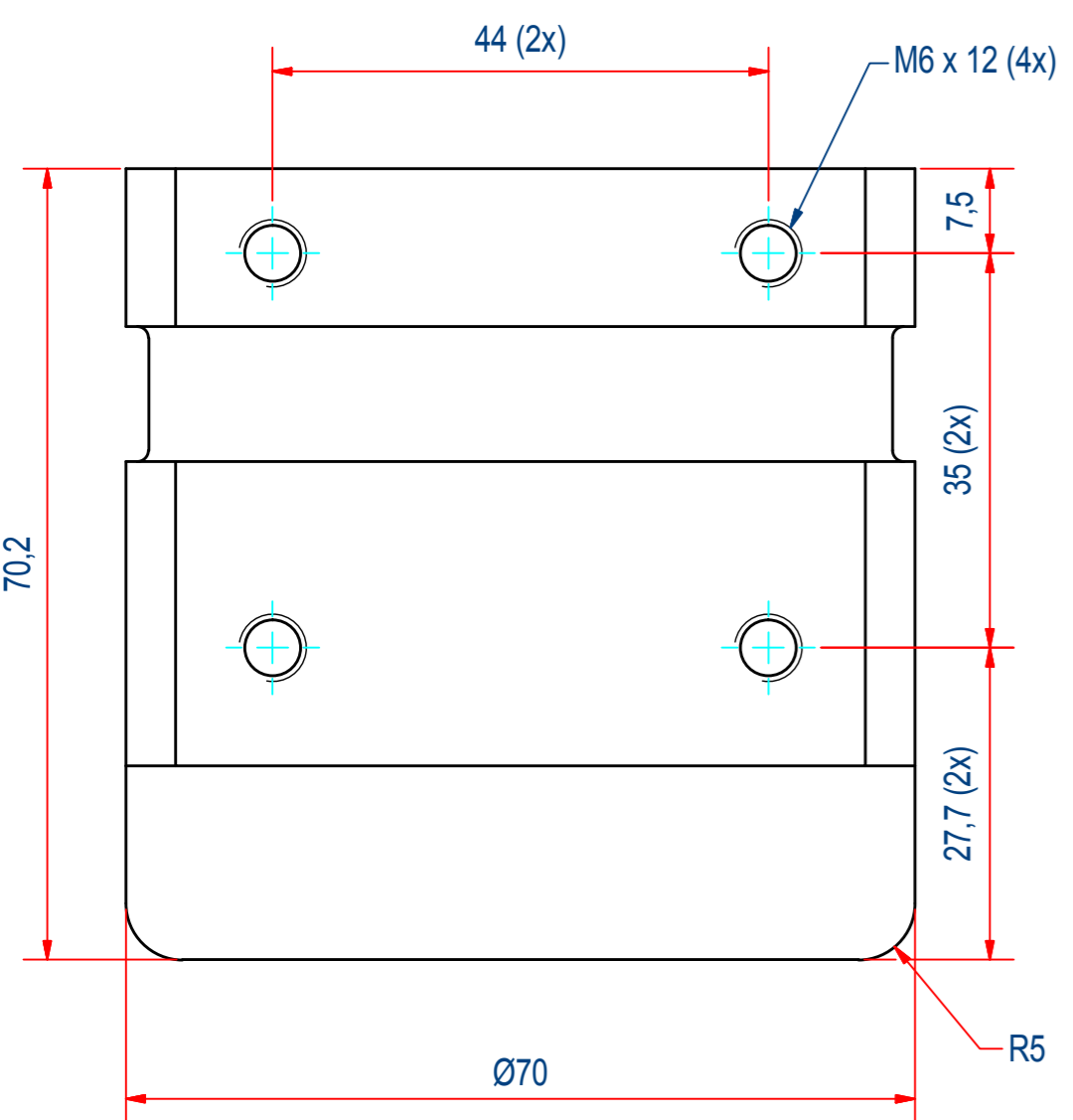
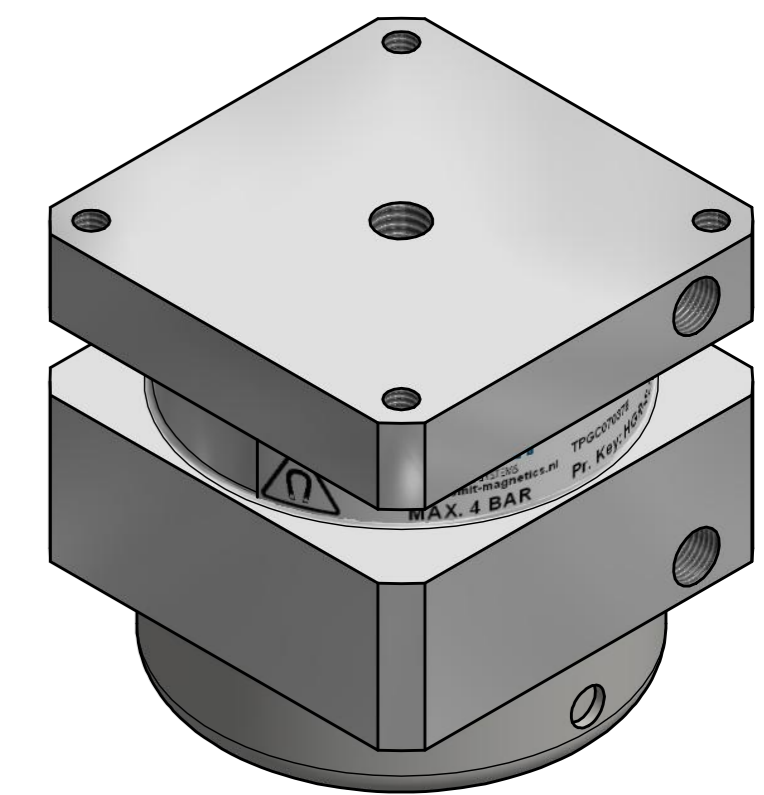
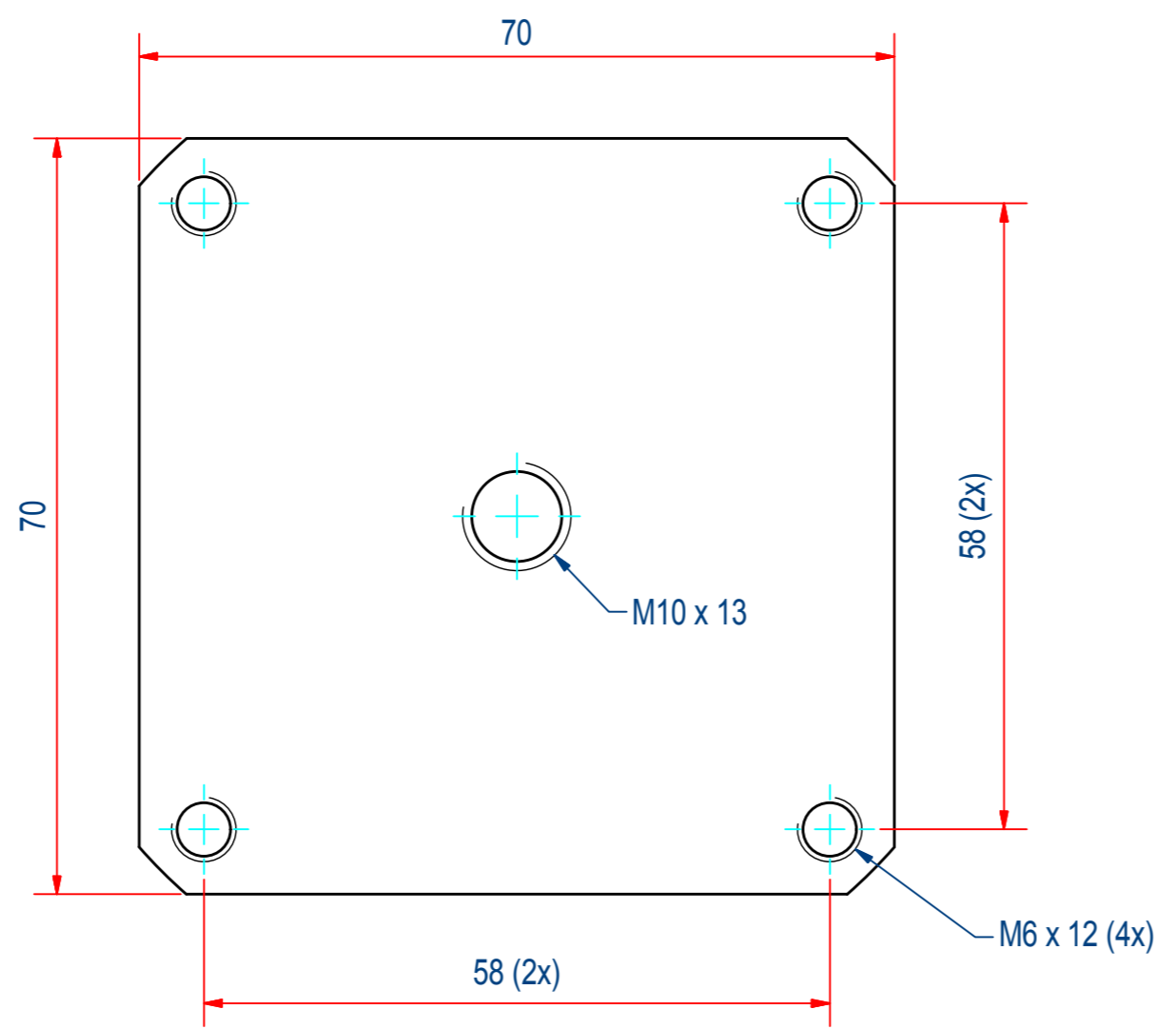


REV	DATE	BY	DESCRIPTION
-	9-7-2013	BS	NEW VAULT, NOTHING CHANGED, IS EQUAL TO OLD REVISION A
A	2-12-2013	PB	E0010955 WAS A190494
B	16-10-2014	PB	E0016901 WAS E0010955



ITEM	QTY	PART NUMBER	DESCRIPTION	Dimensions
2	1	E0038041	STICKER TPGC070378	
1	1	E0016901	MOUNTING ASSY TPGC070 HT	
RAW MAT.	1			
QTY		MAT. NUMBER	MAT. DESCRIPTION	LENGTH (mm) WIDTH (mm)
Sheet: A2		Extra info:		General tolerance: ISO 2768- mK
Drawn: BS		Weight (kg): 0,8		Drawn according: ISO268; ISO1101; ISO2553
Date: 9-7-2013		Status: Standard		Status: Standard
Spare part: False		Customer reference number:		Customer reference number:
Quick search: TPGC070HT		Goudsmit MAGNETIC SYSTEMS		File number: E0029261 Rev: B
Description: HGR-SQ-070-FL-RH-G-F		© All rights reserved. Reproduction is not permitted without written permission of GOUDSMIT Magnetic Systems BV		Part number: TPGC070378 Rev: B