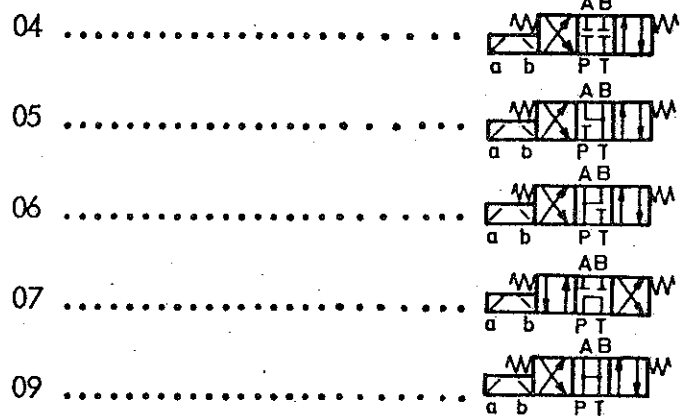


Symbol no.



For further symbols see
sheet 1.1.0 - 02



Mounting position as required
Weight 1,1 kg

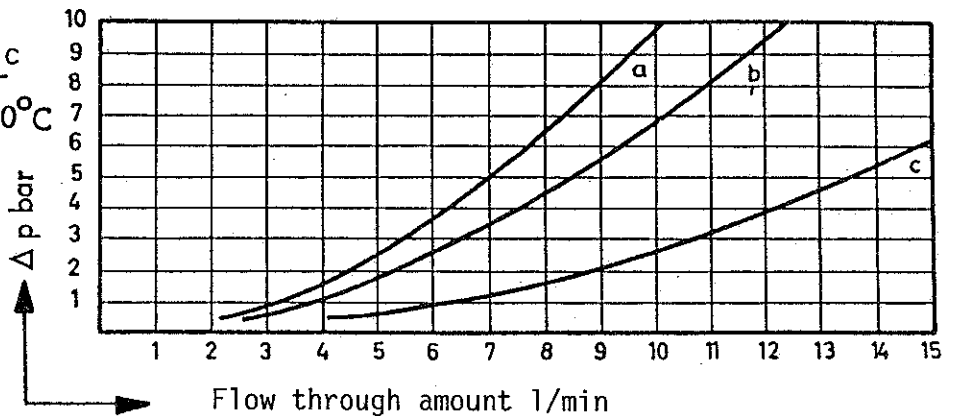
Hydraulic characteristics

Operating pressure range Input pe max. symbol no. 07 up to 200 bar
Input pe max. other symbols up to 315 bar
Output (T conn.) pa max. 150 bar
Hydraulic oil temperature range..... -10°C up to +80°C
Ambient temperature - 5°C up to +50°C
Rated flow up to p = 1 bar 4 l/min
Max. flow 10 l/min

$\Delta p - Q$ - characteristic

of hydraulic oil 35 $\frac{\text{mm}^2}{\text{s}}$, 50°C

curve a P - A
A - T
curve b P - B
curve c B - T



Operation system electro-magnetic

| | |
|---------------------------------|---------------------------------|
| Type description D24/0H | Type description D220/5H |
| Voltage 24V= | Voltage 220 V 50 Hz |
| Power consumption 25,5 W | Active power 64 VA |
| Relative duty cycle 100 % | Relative duty cycle 100 % |
| Protection IP 64 | Protection IP 64 |

Switching time at rated flow, 60 bar, 35 mm^2/s , 50°C

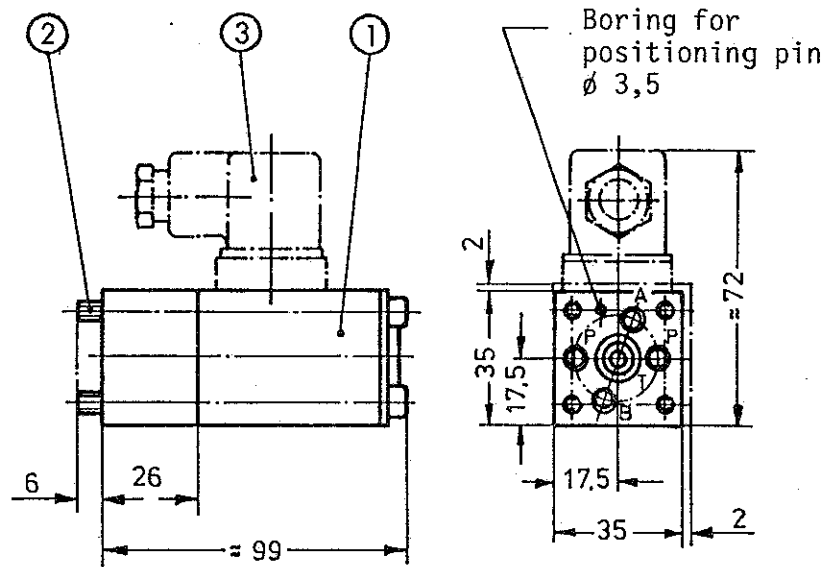
| | | |
|---|-----------------------|--|
| Time for energizing : 24 V= ... 17 ms | 220 V 50 Hz ... 25 ms | } from switching command "ON" resp. "OFF" until end of stroke |
| Time for de-energizing: 24 V= ... 17 ms | 220 V 50 Hz ... 25 ms | |

4/3 DIRECTIONAL VALVE Size 4

Directly controlled,
electrically operated

Sheet: 1.1.3-02
Issue: 09.81

- ① Solenoid (rotatable 90°)
- ② 4 fastening screws
allowable putting in
torque 5,5 Nm
M5x100/800-064
(within scope of delivery)
- ③ Connector black
order no. 806-003
to be ordered separately



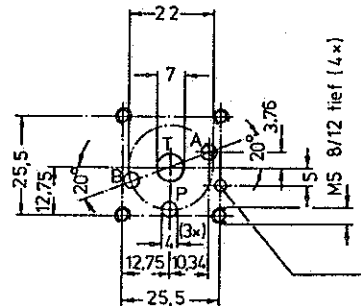
Connection
Diagram A

mounting plate see

1.1.8 - 01

1.1.9 - 01

P = pump, T = tank
A, B = cylinder or motor
connection

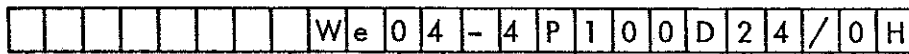


The directional valves are fitted with pressure-resistant oil-bath solenoids that provide a long life-cycle.

Ordering example:

A 4/3 directional according to symbol 04 for 24 V DC (other voltages and frequencies see sheet 1.1.3-03) is to be ordered.

The designation reads:



Connector -
Connection DIN 43 650

Voltage/frequency

Symbol

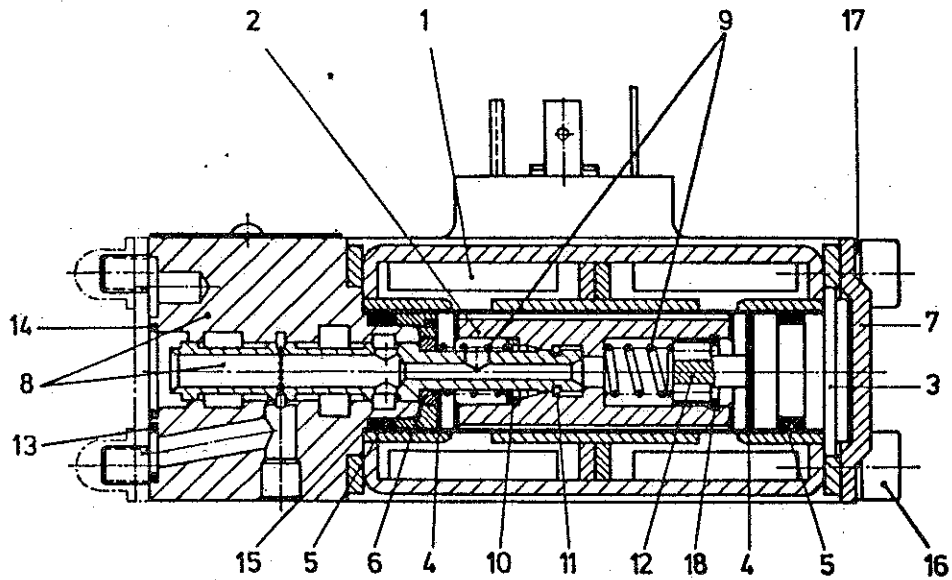
Ident-Nr. _____
(is inserted by H+L)

4/3 DIRECTIONAL VALVE Size 4

Directly controlled,
electrically operated

1.1.3-03

Issue: 09.81



| Pos. | Qty. | Description | Order no. | | | |
|------|------|----------------------|------------------------|-----------|--------------------------|-----------|
| | | | Direct Current Voltage | | Alternating Cur. Voltage | |
| | | | 11 - 14 V | 5552 - 09 | 24 V 50 Hz | 5552 - 07 |
| | | | 12 V | 5552 - 06 | 24 V 60 Hz | 5552 - 12 |
| | | | 24 V | 5552 - 05 | 220 V 50 Hz | 5552 - 02 |
| | | | 23 - 28 V | 5552 - 10 | 220 V 60 Hz | 5552 - 08 |
| | | | 72 V | 5552 - 11 | 110 V 50 Hz | 5552 - 03 |
| | | | | | 110 V 60 Hz | 5552 - 16 |
| ● | 1 | Solenoid | 11232 - 07 | | 11232 - 08 | |
| | 2 | Armature | 11232 - 10 | | 1170 - 25 | |
| | 3 | Stopper | 1060 - 17 | | | |
| | 4 | Adhesive disk | 802 - 035 | | | |
| ● | 5 | O-ring | 1061 - 05 | | | |
| | 6 | Disk | 1060 - 05 | | | |
| | 7 | Cover | 1060 - 09 | | | |
| | 8 | Housing + piston | 1060 - 16 | | | |
| ● | 9 | Compression spring | 802 - 017 | | | |
| | 10 | Disk | 802 - 028 | | | |
| | 11 | Snap ring | 803 - 004 | | | |
| | 12 | Stopper | 800 - 064 | | | |
| ● | 13 | O-ring | 801 - 010 | | | |
| ● | 14 | O-ring | 865 - 000 | | | |
| ● | 15 | Supporting ring | | | | |
| | 16 | Fillister-head screw | | | | |
| | 17 | Fuse | | | | |
| | 18 | Snap ring | | | | |

● = Spare parts