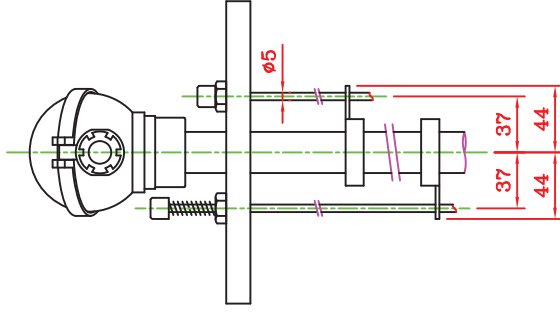


※ TESTING DEVICE



REV.	DESCRIPTION	DATE	CHK.	APP.	WT.
	SPEC.				
	TYPE : LS-TM-2FT-100A				
	CONTACT CAP. : 50VA				
	MAX. TEMP. : 120°C				
	ENCLOSURE : IP67				
	DWG. SZ.				
	A4				
NO.	PART NAME	MAT'L	Q'TY	REM'S	
11	TESTING DEVICE	SUS304 BsBM	2		
10	USE NAME PLATE	SUS304	1		
9	NAME PLATE	TETRON FILM	1		
8	MAGNET		2 SETS		
7	REED SWITCH		2 SETS	50VA	
6	FLOAT	SYNTHETIC RUBBER	2		
5	FLOAT STOPPER	SUS304	4		
4	GUIDE PIPE	SUS304	1		
3	FLANGE	SS400	1	JIS 5K 100A	
2	CABLE GLAND	AC BsBM	1		
1	TERMINAL BOX	AC	1		
SCALE	1/5 <th>DATE</th> <td>MAR. 2000 </td>	DATE	MAR. 2000		
DWG.	DSG. <th>CHK.</th> <td>APP.</td>	CHK.	APP.		
TITLE	LEVEL SWITCH				
DWG.NO.	DX007S-2FTn-3				



DAEHWA ENGINEERING