

## Hydraulic power units PO 6

for single-acting and double-acting cylinders



View product: <http://industrial.lukas.com>

### Powerful motor pumps for all cylinders.

Operate cylinders with a motor pump to generate even more performance. By switching later from low to high pressure at 16 MPa (160 bar), they reach higher working speeds than typical motor pumps in lower load ranges.

### Facts:

- High-pressure flow rate stays constant up to maximum pressure
- Equipped with the special LUKAS radial piston pump with patented suction valves for maximum efficiency
- Compact design and low weight for easy transport

### Description of models:

- **PO 6 1E for one single-acting cylinder:**  
Drain valve for precise speed control when lifting or lowering. Load is being held when drain valve is closed and motor is turned off.

## Hydraulic power units PO 6

---

for single-acting and double-acting cylinders

- **PO 6 2E for two single-acting cylinders:**  
Precise speed control of both cylinders when lifting or lowering by throttling the control valve. Separate closing of both oilflows possible. Holding of loads with motor running or turned-off when control valves are closed.
- **PO 6 1D for one single-acting or double-acting cylinder:**  
Lifting and lowering of loads by switchover valve. Holding of loads with switchover valve in centre position. Retraction of a double-acting cylinder is only permitted while the motor is running.

### Weight-reduction measures

To reduce weight, the power units are delivered with only 7.5 l or 15 l of oil. When necessary, they can be filled to 10 l or 24 l. Optional carry frames are available.

---

**For further information on this product, please contact us directly.**

Phone number: + 49 9131 698 468

Fax number: + 49 9131 698 303

E-mail: [lukas.info@idexcorp.com](mailto:lukas.info@idexcorp.com)

**Find nearest contact:**

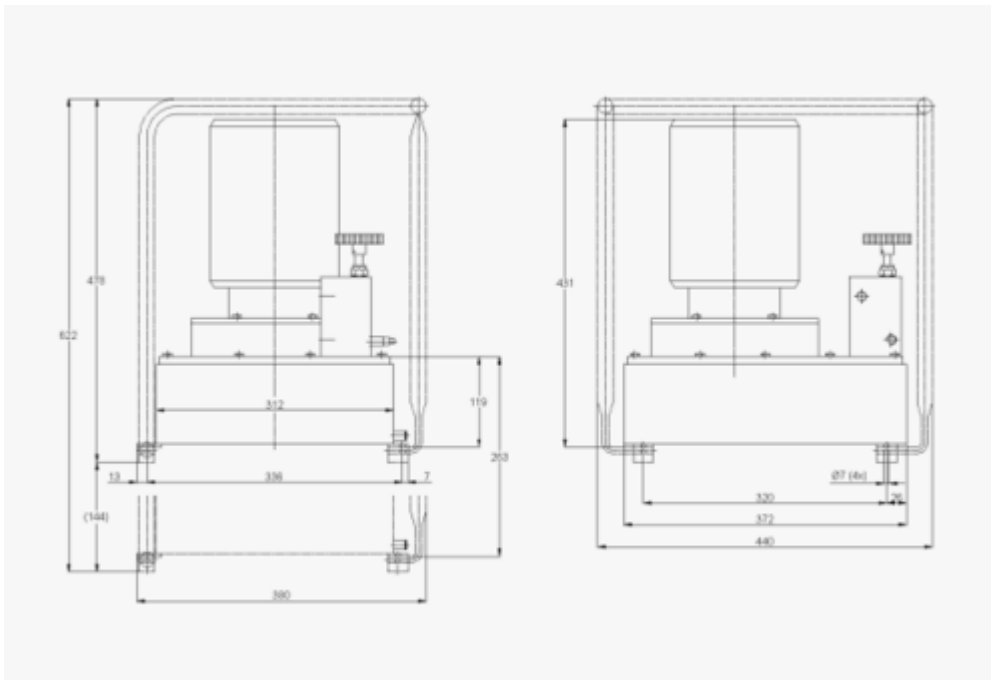
[industrial.lukas.com/Service/Find+a+contact.html](http://industrial.lukas.com/Service/Find+a+contact.html)

---

## Hydraulic power units PO 6

for single-acting and double-acting cylinders

### Technical data 500 Bar





## Hydraulic power units PO 6

for single-acting and double-acting cylinders

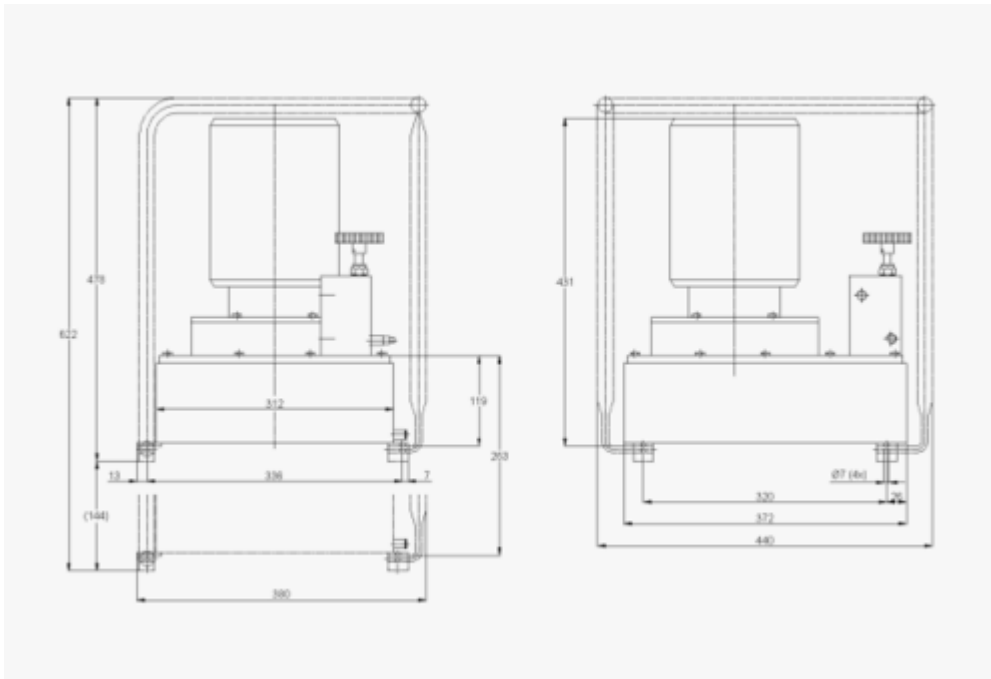
### Technical data 500 Bar

type (type)	order no.	oil capacity (l)	useful quantity (l)	delivery low pressure (l/min)	switchover pressure (bar)	delivery high pressure (l/min)	motor	power (kW)	electr. protection acc. to DIN 40050	weight (with basic oil filling) approx. (kg)
<b>PO6-1E-10-50</b>	84112/5607	7.5 - 10	6 - 8.5	4.4	160	1.4	230 V/50 Hz	2.2	IP 54	41
<b>PO6-2E-10-50</b>	84112/5608	7.5 - 10	6 - 8.5	4.4	160	1.4	230 V/50 Hz	2.2	IP 54	43.5
<b>PO6-1D-10-50</b>	84112/5609	7.5 - 10	6 - 8.5	4.4	160	1.4	230 V/50 Hz	2.2	IP 54	42
<b>PO6-1E-25-50</b>	84112/5627	15 - 24	10 - 19	4.4	160	1.4	230 V/50 Hz	2.2	IP 54	54
<b>PO6-2E-25-50</b>	84112/5628	15 - 24	10 - 19	4.4	160	1.4	230 V/50 Hz	2.2	IP 54	56.5
<b>PO6-1D-25-50</b>	84112/5629	15 - 24	10 - 19	4.4	160	1.4	230 V/50 Hz	2.2	IP 54	55

## Hydraulic power units PO 6

for single-acting and double-acting cylinders

### Technical data 700 Bar





## Hydraulic power units PO 6

for single-acting and double-acting cylinders

### Technical data 700 Bar

type (type)	order no.	oil capacity (l)	useful quantity (l)	delivery low pressure (l/min)	switchover pressure (bar)	delivery high pressure (l/min)	motor	power (kW)	electr. protection acc. to DIN 40050	weight (with basic oil filling) approx. (kg)
<b>PO6-1E-10-70</b>	84112/5601	7.5 - 10	6 - 8.5	4.4	160	1.4	230 V/50 Hz	2.2	IP 54	41
<b>PO6-2E-10-70</b>	84112/5602	7.5 - 10	6 - 8.5	4.4	160	1.4	230 V/50 Hz	2.2	IP 54	43.5
<b>PO6-1D-10-70</b>	84112/5603	7.5 - 10	6 - 8.5	4.4	160	1.4	230 V/50 Hz	2.2	IP 54	42
<b>PO6-1E-25-70</b>	84112/5621	15 - 24	10 - 19	4.4	160	1.4	230 V/50 Hz	2.2	IP 54	54
<b>PO6-2E-25-70</b>	84112/5622	15 - 24	10 - 19	4.4	160	1.4	230 V/50 Hz	2.2	IP 54	56.5
<b>PO6-1D-25-70</b>	84112/5623	15 - 24	10 - 19	4.4	160	1.4	230 V/50 Hz	2.2	IP 54	55



Germany's finest hydraulics

## LUKAS – the name in hydraulic tools.

High-quality hydraulic tools for industrial applications: LUKAS has developed and produced them in Germany since 1948. Wherever you need to move heavy loads, with our products you have a strong partner at your side. Only LUKAS offers these advantages:

### German quality

With few exceptions, LUKAS products are developed and manufactured from start to finish in Germany. That is the only way we can maintain our high standard of quality and monitor our entire production chain. Our highly skilled team works with great attention to detail - and is always a step closer to our customers.



### The original

In 1948, LUKAS was the first brand to offer high-quality hydraulic tools for industrial applications. Since then our engineers have always kept a step ahead of developments so we can offer the guaranteed best quality.

### Unique customer focus

LUKAS is the only manufacturer to offer you customer-oriented direct sales. Our experienced sales team can give you excellent advice because they understand your needs and can offer you tailored solutions.