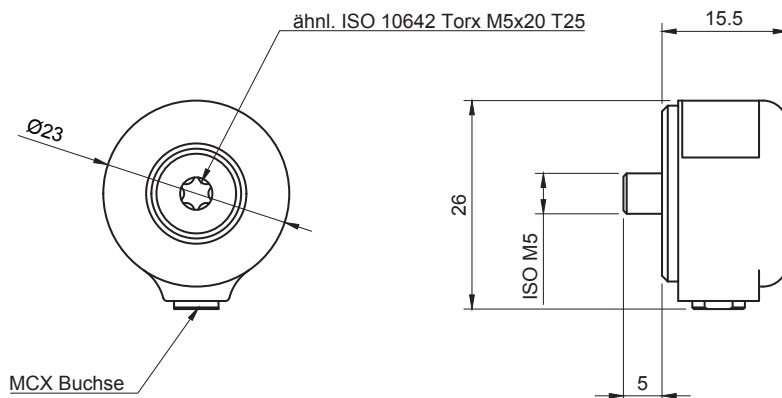


QASS Acoustic Sensor Specifications

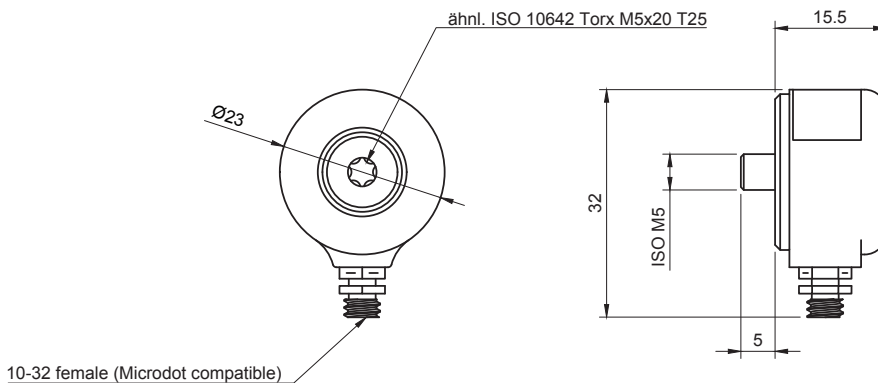


Acoustic emission sensors

MCX-Sensor (QWT-MCX)



Microdot-Sensor (QWT-Micro)



Sensors consists of a piezo-ceramic element which detects high frequency impulses, also known as acoustic emission or structure borne noise. The piezo-ceramic element is placed into a cylindrical housing of heat-treatable aluminium.



Do not expose the sensors to **temperatures** above 130° Celsius.

Mount the sensors with a torx wrench (size t-25), use a force of 6 newton-meters. You can also use a **magnetic adapter**, but the signal transmission is better if you use screws. Attach the sensor as close to the tool or work piece as possible to ensure signal strength.

Following installation and commissioning, Optimizer4D executes a **self-test**, in order to determine if the sensors are correctly installed, among other things. This test is done with 550 V. There is no danger for persons, for the galvanic isolation between sensor housing and the sensor itself.

The **sensor cable** (from sensor to pre-amplifier) is equipped with MCX (or Microdot for CiS.01) plugs, standard has one straight and one angled plug. Depending on the kind of usage you can choose between several lines:

- different lengths
- different line sheathings, e.g. teflon or synthetic material.