

# *Firetrol Battery Charger Replacement Kits*

**ASCO** Power  
Technologies®

  
**EMERSON**™  
Network Power

# ***Firetrol Battery Charger Replacement Kits***

**Purpose: to provide a retro fit assembly for the now-obsolete battery chargers used from the early 1980's to early 2000's in all Firetrol Diesel Engine Fire Pump Controllers.**

## ***Firetrol Battery Charger Replacement Kits***

---

### **Two kits available:**

- **KAS-2001-002, for all 12 volt applications (Lead Acid and NiCad batteries). Replaces CG-0655 battery chargers.**
- **KAS-2001-003, for all 24 volt applications (Lead Acid and NiCad batteries). Replaces CG-0652 battery Chargers.**

# *Firetrol Battery Charger Replacement Kits*

---

## **What's included?**

- **(2) Transformers**
- **(2) Battery Charger Assemblies**
- **(2) Wiring Harness Assemblies**
- **All necessary hardware and adapters**
- **Instructions**

# *Firetrol Battery Charger Replacement Kits*

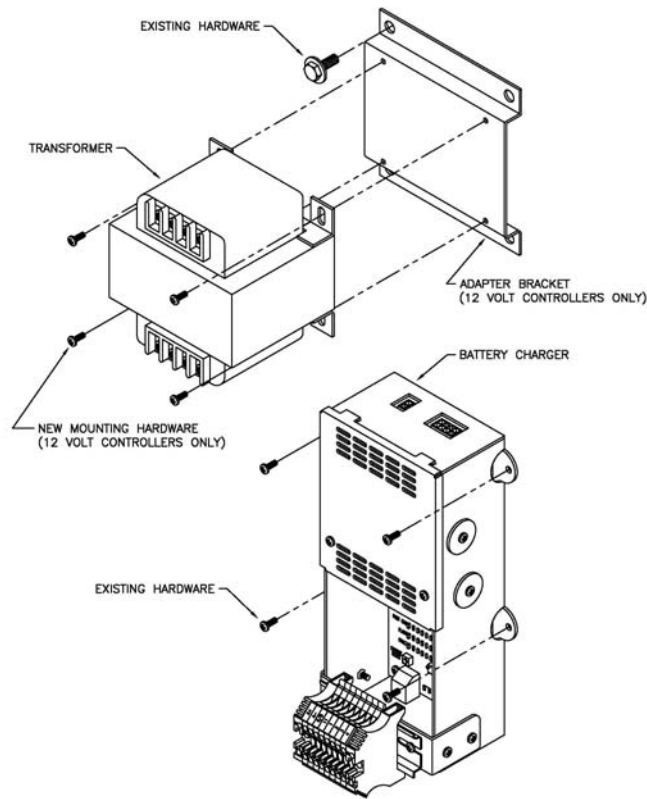
---

## **What's required:**

- **Removal or existing transformers and chargers**
- **Installation of new transformers and chargers, use existing mounting holes and hardware.**
- **Connecting transformer wiring**
- **Connecting charger output wiring**

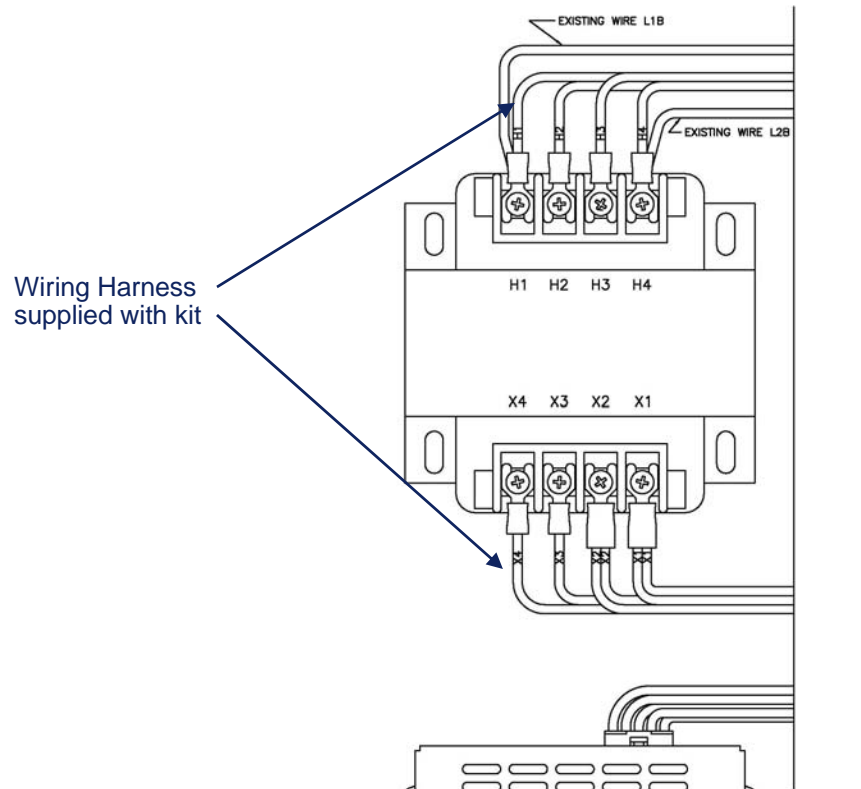
# Firetrol Battery Charger Replacement Kits

## Typical Mounting



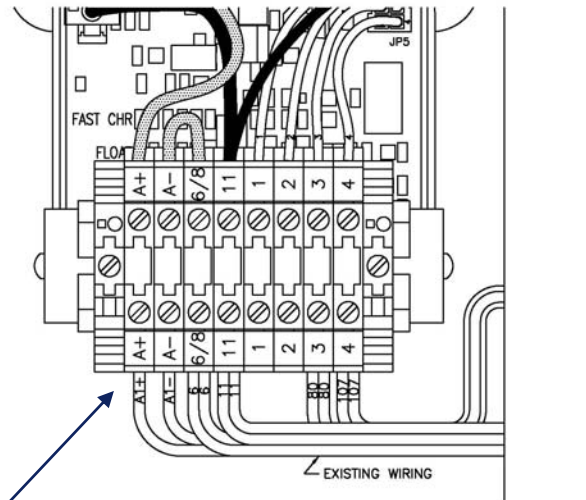
# Firetrol Battery Charger Replacement Kits

## Typical Transformer Connections



# Firetrol Battery Charger Replacement Kits

## Typical Charger Connections



Terminal Block markings match existing numbers