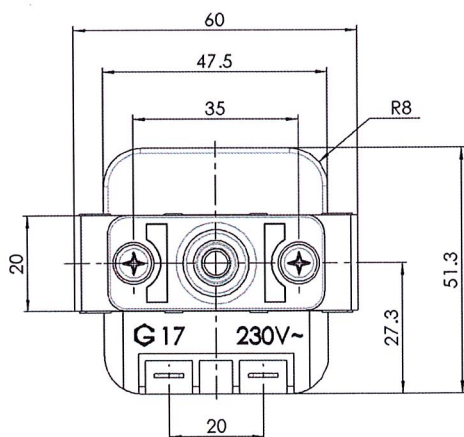
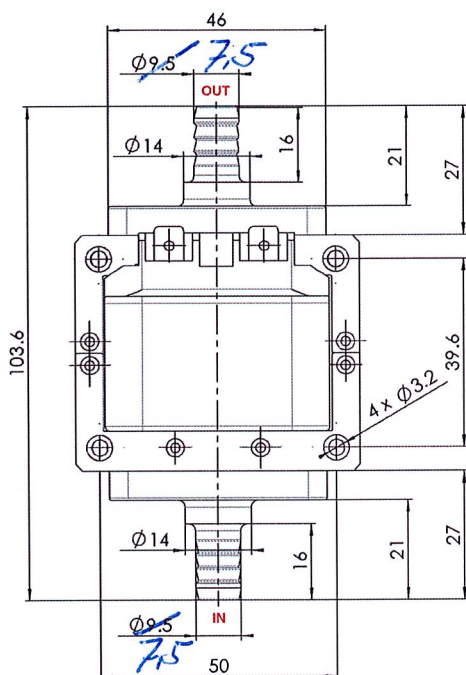


Electromagnetic pump

**ETS 17**

Technical data



Typical applications :

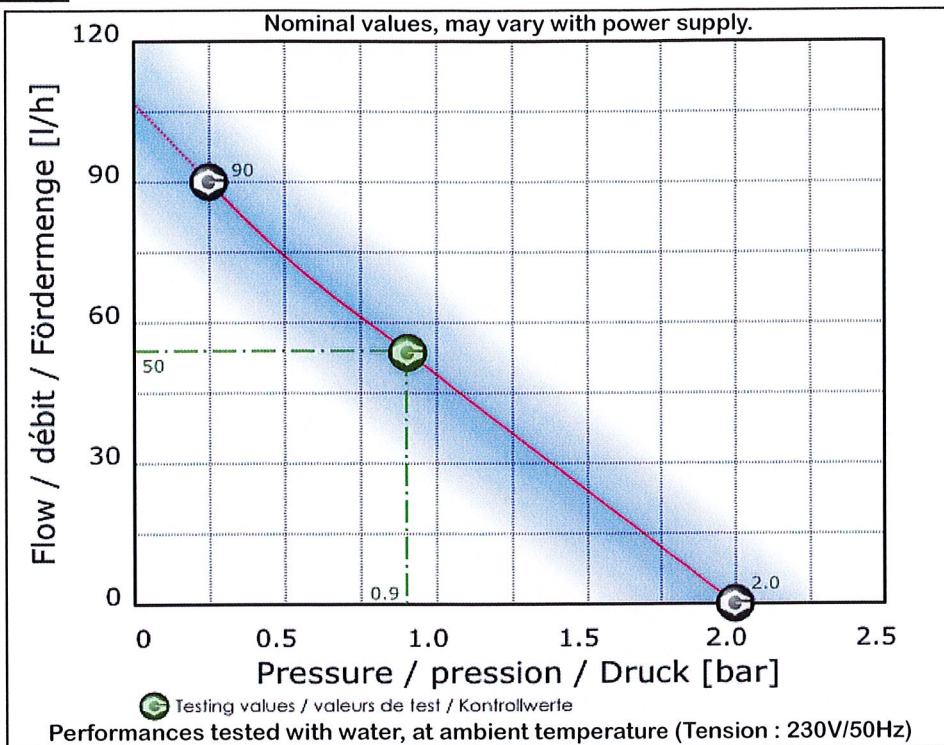
- Industrial appliances
- Household equipment
- Cleaning equipment
- Printing systems
- Lubrication
- Laboratory & medical devices

Nominal rated data :

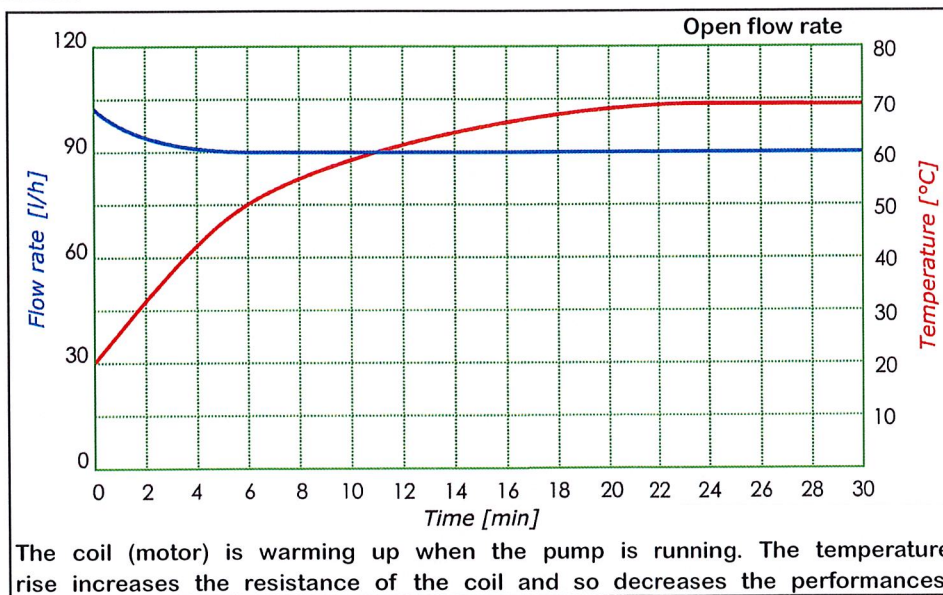
Maximum pressure	: 2 [bar]
Maximum flow rate	: 90 [l/h]
Maximum suction height	: 3 [m]
Viscosity range	: 1...600 [mm <sup>2</sup> /s]
Filter	: Mesh 100
Tension	: 230 [V]~ (110 [V], 24 [V], 12 [V])
Frequency	: 50 [Hz], (60 [Hz])
Electrical connection	: 2 x 6.3 [mm] x 0.8 [mm]
Power	: 40 [W]
Weight	: ~480 [g]
Temperature	: 1...50 [°C]
Insulation	: Class F-100% ED / 20°[C] (Class H on request) Class I (Class II on request)
Noise level (1m)	: Open flow = ~65 [dB(A)] Max. pressure = ~54 [dB(A)]
Approvals	: EC conform to EN60335-1 (ED.4), CB cert. Nr. CH-4364, (UL on request)
EMC	: Conform to 2004/108/EC
LVD	: Conform to 2006/95/EC
RoHS	: Conform to 2002/95/EC



**Performances :**



**Heating & flow :**



**Additional information :**

Materials in contact with the liquid :

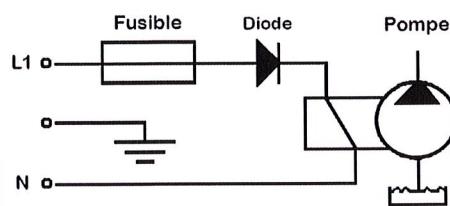
Connectors : Hostaform  
Piston : 1.4057 + Cr  
Springs : 1.4401  
Valves tips : NBR  
O-ring : NBR

*Large choice of materials & options*



Electric wiring diagram :

Fuse and diode are necessary



Note :

Please refer to instruction manual for more installation details. For more information, visit our website

► [www.gotecpumps.com](http://www.gotecpumps.com) ◀