



Three Phase Squirrel Cage Induction Motor

Motor type Q3E63M2B40



Electrical Data

RATED VALUES							STARTING VALUES				BREAKDOWN	EFFICIENCY			EFFICIENCY CLASS
VOLTAGE	POWER		SPEED	CURRENT	TORQUE	Cos φ	CURRENT		TORQUE		TORQUE	%			IEC 60034-30-1
V	kW	Hz	rpm	A	Nm	4/4	I _A / I _N	M _A / M _N	Mk / Mn	Nm	4/4	3/4	2/4	IE	
							Y D	Y D	Y D						
230/400	0.25	50	2813	1.12/0.65	0.85	0.84	5.3	-	2.7	-	2.8	IE3-69.7%	68.3	63.9	IE3
265/460	0.29	60	3420	1.07/0.62	0.81	0.85	5.1	-	2.6	-	2.7	-	-	-	

Mechanical Data

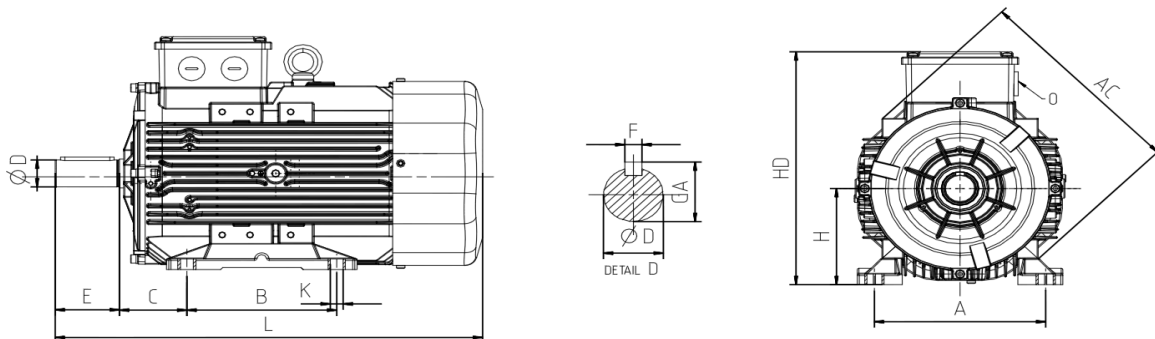
Bearing DE	6201-ZZ	Color	RAL 7031
Bearing NDE	6201-ZZ	Motor protection	-
Lubricants	Shell Gadus S2 V100Q2	Method of cooling	IC 411
Condensation drain hole	No	Terminal box position	Top
External earthing terminal	Yes	Material of terminal box	Aluminium
Vibration class	A	Terminal plate thread	M4
Insulation Class	F	Cable gland	1xM20
Duty type	S1	Clamping range	10-14 mm
Direction of rotation	Clockwise	Mounting type	IM 1001 (B3)
Housing material	Aluminium		
Type of balancing	Half Key		

Environmental Data

Others

Ambient Temperature	-20 / + 40 °C	Type of protection	IP 55
Altitude above sea level	1000 m	Sound Pressure Level 50/60Hz dBA	52/55
		Moment of Inertia (kg.mm ²)	0,00025
		Standard	IEC 60034-1
		Weigth (Kg)	5.1

Dimensions



Main Dimensions		Foot Mounted Motors						Shaft				Flange Mounted Motors			
AC	L	B	A	H	HD	K	C	D	E	GA	F	P	N	M	R
123	220	80	100	63	162	7	40	11	23	12.5	4	-	-	-	-