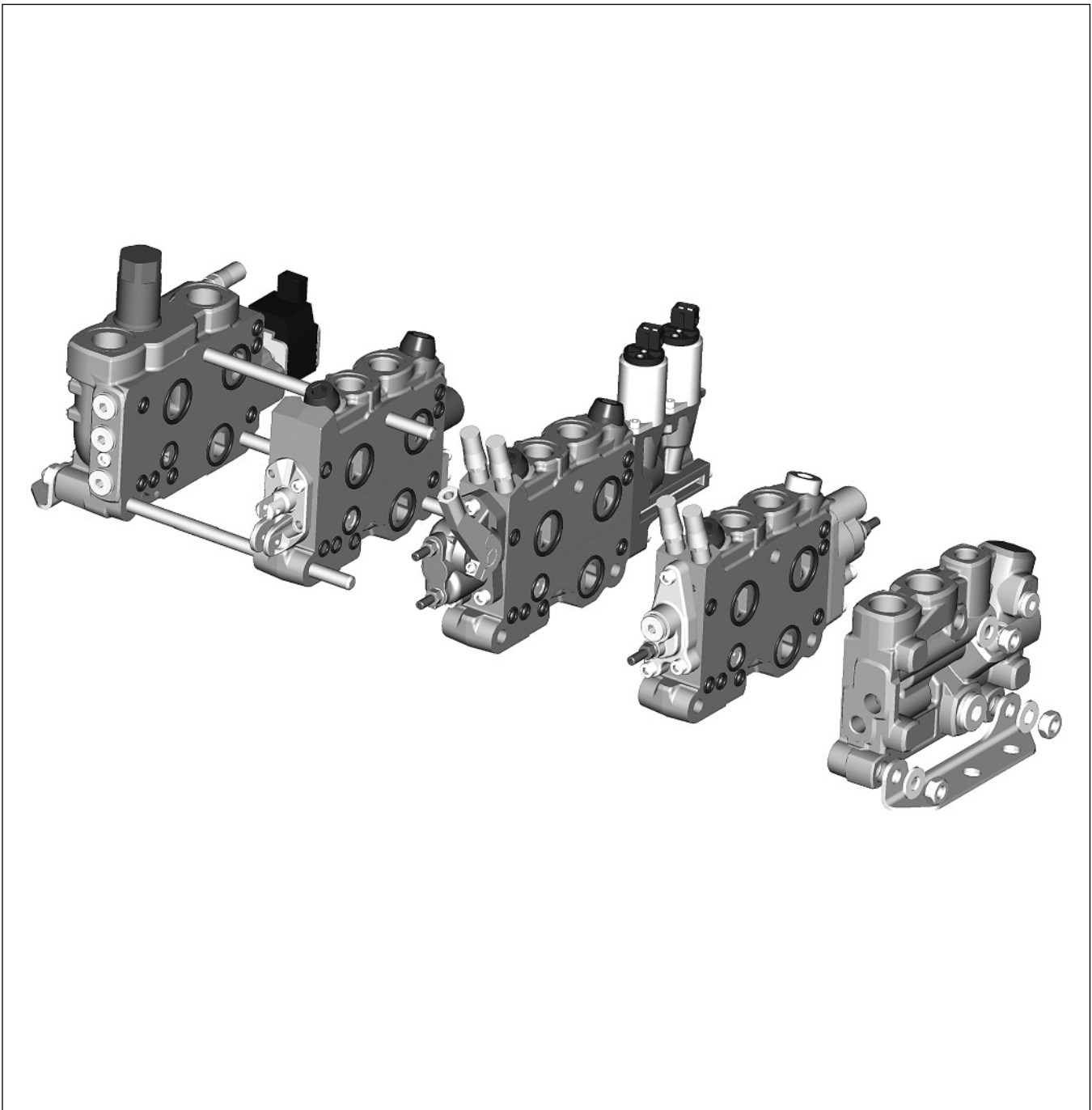




Bulletin HY17-8561-M1/UK

Spare Parts List Series L90LS

Effective date: November 6, 2015
Supersedes: August 17, 2015



This list of spare parts is designed to give you a good idea of the components included in the product range for valves. To see precisely which component is used for a specific product, you will need to look at the customer specification for the product in question. The customer specification contains a number of entries, and for each entry, a code pressure or flow is specified with a code or a number. To help you find your way around, this list of spare parts contains references to these entries and codes.

Codes on the image page of the list of spare parts usually appear in bold and enclosed in a border. The table page contains available spare part sets. The ordering code is the product code that appears in the Part column.

The spare part to be used is determined by the first two columns, which contain the entry and the code from the customer specification. If these columns are empty, the spare part set is valid regardless of the selected code, unless indicated otherwise

The symbols in the frame below are used in this Spare Parts List to help you find the right tools, the right torques, suitable grease etc.




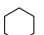



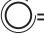






A little technical index. Example.

- 1 = Item pos. no. 1.
- 1(2x) = Item pos. no. 1 consists of 2 pieces in the kit.
- 1 [2] = Item pos. no. 2 already mounted on the item pos. no. 1 at delivery.
- 1 [2](2x) = Item pos. no. 1 (see above) consists of 2 pieces in the kit.

Conversion factors

- 1 kg = 2.2046 lb
- 1 N = 0.22481 lbf
- 1 Nm = 0.10197 kpm
- 1 bar = 14.504 psi
- 1 l = 0.21997 UK gallon
- 1 l = 0.26417 US gallon
- 1 cm³ = 0.061024 in³
- 1 m = 3.2808 feet
- 1 mm = 0.03937 in
- 1°C = (9/5x°C+32)°F

Symbols for servicing

-  = Phillips screw
-  = Slot screw
-  = Socket head dimensions in mm and/or inch
-  = Hexagon dimensions in mm and/or inch
-  = Sixpoint socket
-  = Wrench size in mm and/or inch or special assembly/disassembly tool needed. No...
-  = Factory preadjusted item, see appendix A
-  = Thread for disassembly type...
-  = Tightening torque in Nm
-  = Use locking/sealing fluid type...
-  = Use corrosion preventative type...
-  = Use hydraulic liquid for lubrication
-  = Use grease type...
-  = Spool classifies by size, see appendix A

 **WARNING – USER RESPONSIBILITY**

FAILURE OR IMPROPER SELECTION OR IMPROPER USE OF THE PRODUCTS DESCRIBED HEREIN OR RELATED ITEMS CAN CAUSE DEATH, PERSONAL INJURY AND PROPERTY DAMAGE.

This document and other information from Parker-Hannifin Corporation, its subsidiaries and authorized distributors provide product or system options for further investigation by users having technical expertise.

The user, through its own analysis and testing, is solely responsible for making the final selection of the system and components and assuring that all performance, endurance, maintenance, safety and warning requirements of the application are met. The user must analyze all aspects of the application, follow applicable industry standards, and follow the information concerning the product in the current product catalog and in any other materials provided from Parker or its subsidiaries or authorized distributors.

To the extent that Parker or its subsidiaries or authorized distributors provide component or system options based upon data or specifications provided by the user, the user is responsible for determining that such data and specifications are suitable and sufficient for all applications and reasonably foreseeable uses of the components or systems.

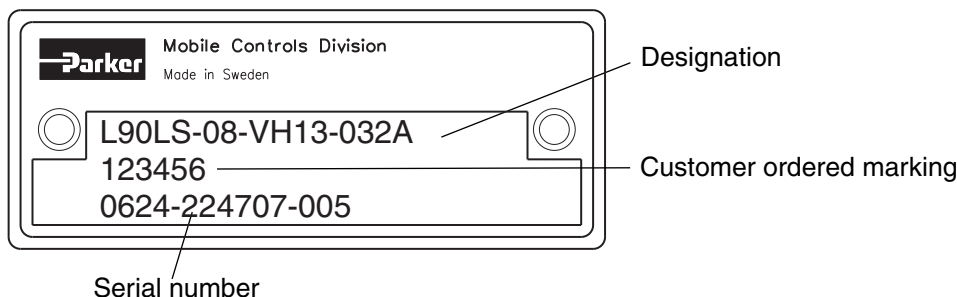
Offer of Sale

Please contact your Parker representation for a detailed "Offer of Sale".

| List of contents | Page |
|--|-------------|
| Inlet section: CFC, LS1, LS2, | 4 |
| Inlet section: AS, AS2, PLM..... | 6 |
| Inlet section: P1B, T1B, BEN, BB, BX..... | 8 |
| Inlet section: KS, KB, / | 10 |
| Inlet plate IP: P1B, T1B..... | 12 |
| Spool Actuators, Side A: LM, LU | 14 |
| Spool Actuators, Side A: L10, A028 | 16 |
| Spool Actuators, Side A: PC, EC, EC2, EB, PCH, ECH, ECH2, EBH, ECHL, ECHL2, ECP, ECP2, ECSP, ECSP2..... | 18 |
| Spool Actuators, Side B: C, B3, FD | 20 |
| Spool Actuators, Side B: ACE, ACP | 22 |
| Spool Actuators, Side B: ACEF | 24 |
| Spool Actuators, Side B: CH, CHX, CHB3, PC, PCH..... | 26 |
| Spool Actuators, Side B: EB, EBH, EBHL, EC, ECH, ECHL, ECP, ECS, ECSP, A, D, 12, 24, A034, A036..... | 28 |
| Spool Actuators, Side B: EC2, ECS2, ECH2, ECHL2, ECP2, ECSP2, A, D, 12, 24, A034, A036 | 30 |
| Spool Section: K, KL, KX, KH, N, X, KAP, KAS | 32 |
| Spool Section, Accessories..... | 34 |
| Combined Spool-End Section: T2B, P2B, PS, LSP, TPX, LSPX..... | 36 |
| End Section: LSP, LSPB, P2B, T2B, T3B, MF, R, S, YS..... | 38 |
| Outlet (U) Section, Accessories: TP, TPB, REA, REN, RB | 40 |
| Basic Valve, Tie rod kits, Bracket kits, Intersection seal kit..... | 42 |
| Appendix A: Warnings | 45 |
| Appendix B: Inlet section old style, CFC/LS1/LS2..... | 46 |
| Appendix B: PC, PCH, EC, EC2, ECS, ECS2, ECH, ECH2, ECHL, ECHL2..... | 48 |
| Appendix C: Assembly Instructions. Tools | 49 |
| Appendix D: Phased out..... | 53 |
| Appendix E: Manifolds | 55 |

This spare parts list is valid for L90LS only. See product designation on the name plate.

Name plate

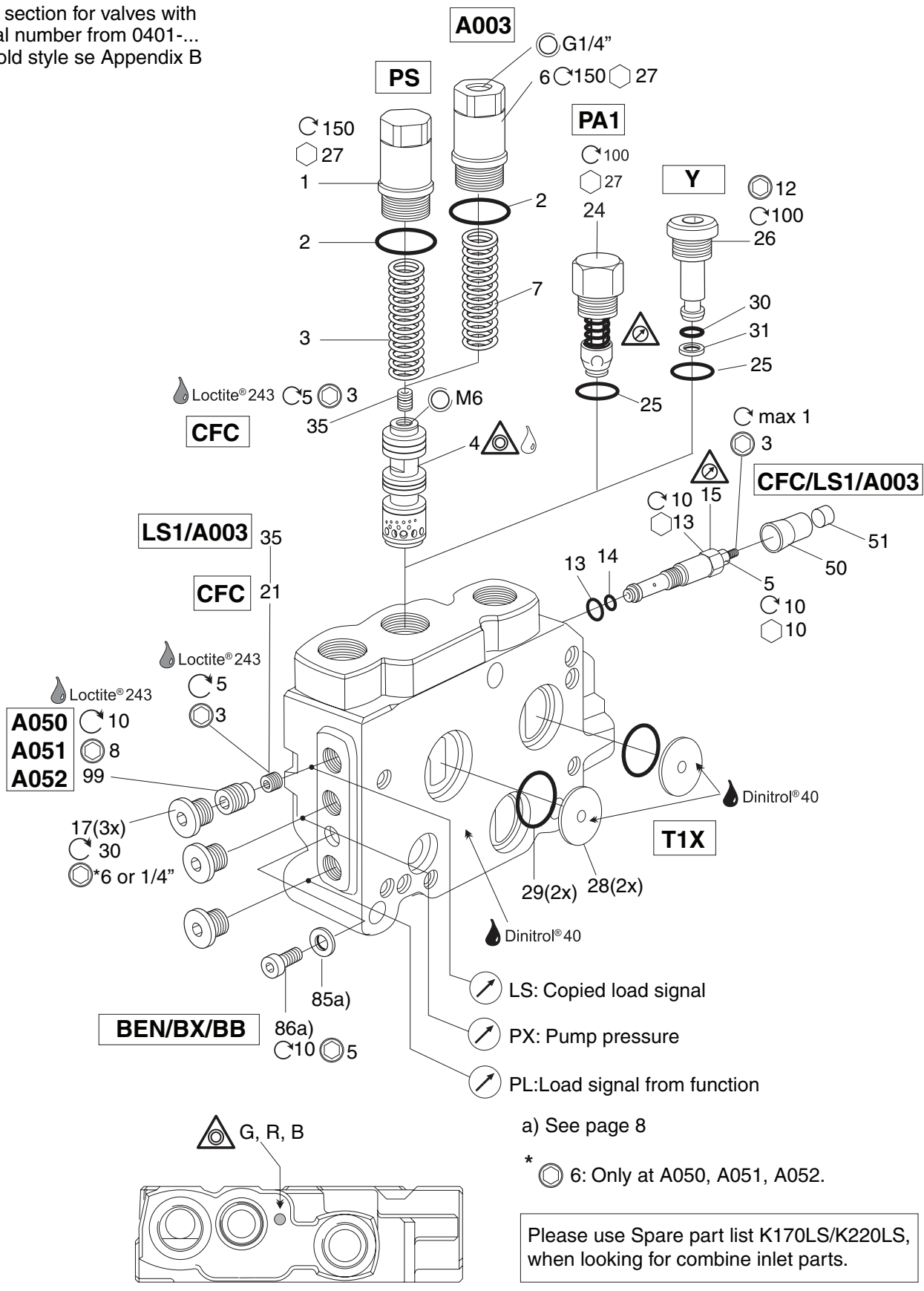
















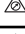
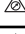
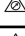
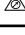
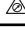

Valve serial numbers consist of three groups of digits
 The first group shows year and week of manufacture:
 In this example, 0624 means week 24 of 2006
 The remaining digits are for internal use within Parker

Notice ! Some valves hasn't any designation code stamped. Some valves has the serial number and designation code text line in opposite order than the example above.

PS, PA1, Y, T1X, CFC, LS1, LS2, BEN, BB, BX, A003, A050, A051, A052

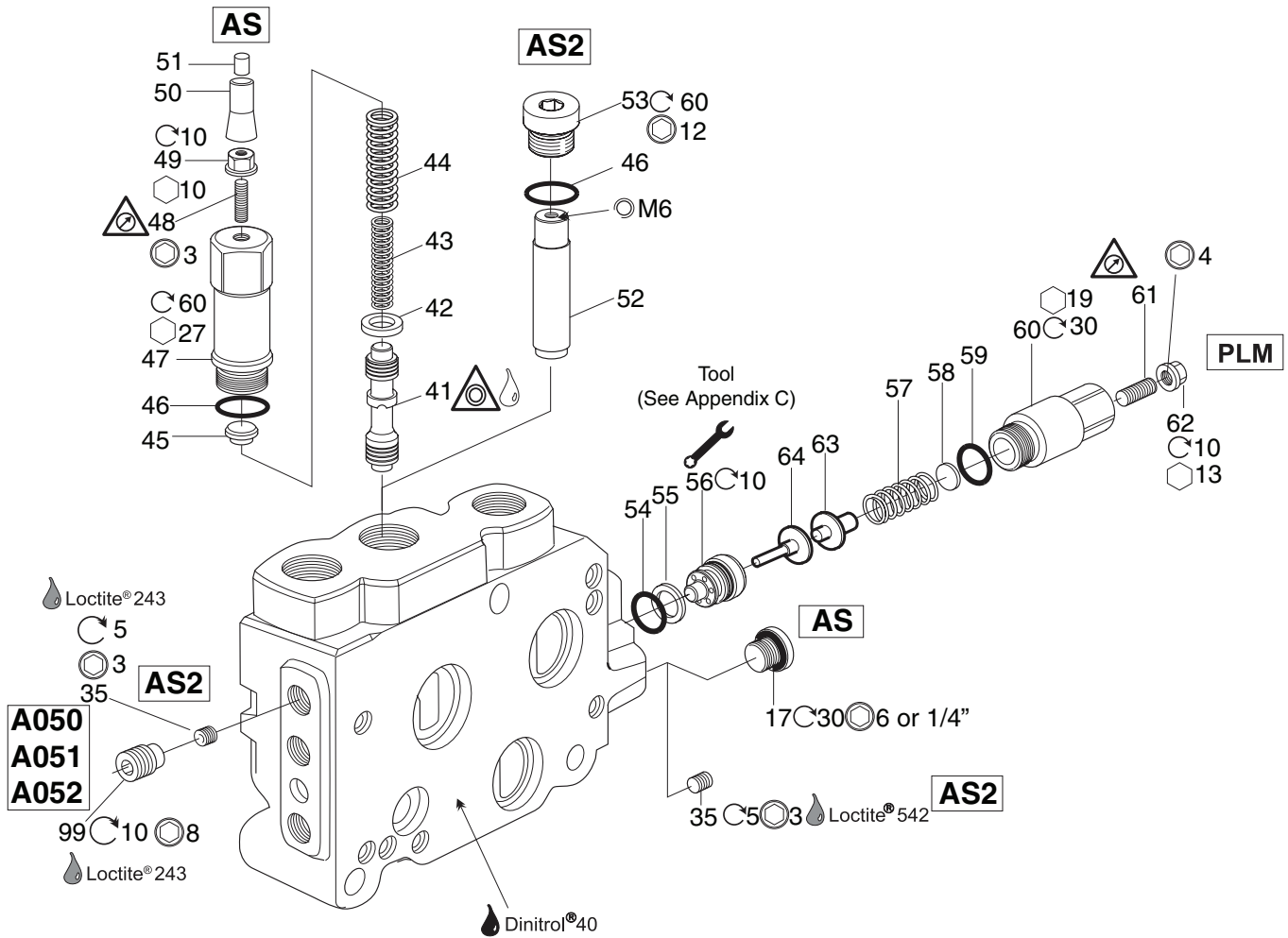
Inlet section for valves with serial number from 0401-...
 For old style se Appendix B



| See Customer Specification | | | | |
|----------------------------|---------|------------|-------------------------------------|---|
| Code | Pos | Part | Description | Remarks / Items |
| CFC + PS | 15 + 16 | 393000H245 | Main relief valve, size Blue | 1, 2, 3, 4 [35], 15 [5, 13, 14], 21, 50, 51 |
| CFC + PS | 15 + 16 | 393000H445 | Main relief valve, size Green | 1, 2, 3, 4 [35], 15 [5, 13, 14], 21, 50, 51 |
| CFC + PS | 15 + 16 | 393000H645 | Main relief valve, size Red | 1, 2, 3, 4 [35], 15 [5, 13, 14], 21, 50, 51 |
| LS1 + PS | 15 + 16 | 393000H246 | Main relief valve, size Blue | 1, 2, 3, 4, 15 [5, 13, 14], 35, 50, 51 |
| LS1 + PS | 15 + 16 | 393000H446 | Main relief valve, size Green | 1, 2, 3, 4, 15 [5, 13, 14], 35, 50, 51 |
| LS1 + PS | 15 + 16 | 393000H646 | Main relief valve, size Red | 1, 2, 3, 4, 15 [5, 13, 14], 35, 50, 51 |
| CFC, LS1; A003 | 15; 29 | 398000K069 | Main relief valve PLD03 | 15 [5, 13, 14] |
| CFC, LS1; A003 | 15; 29 | 393000K831 | Seal kit | 5, 13, 14 |
| CFC, LS1; A003 | 15; 29 | 393000K852 | Sealing kit | 50, 51 |
| A003 | 29 | 6761021 | Main relief valve A003, size Blue | 2, 4, 6, 7, 35 |
| A003 | 29 | 6761022 | Main relief valve A003, size Green | 2, 4, 6, 7, 35 |
| A003 | 29 | 6761023 | Main relief valve A003, size Red | 2, 4, 6, 7, 35 |
| PA1 + 63 | 16 + 17 | 393000K203 | Main relief valve, 63 bar | 24 [25]  |
| PA1 + 80 | 16 + 17 | 393000K204 | Main relief valve, 80 bar | 24 [25]  |
| PA1 + 100 | 16 + 17 | 393000K205 | Main relief valve, 100 bar | 24 [25]  |
| PA1 + 125 | 16 + 17 | 393000K206 | Main relief valve, 125 bar | 24 [25]  |
| PA1 + 140 | 16 + 17 | 393000K207 | Main relief valve, 140 bar | 24 [25]  |
| PA1 + 160 | 16 + 17 | 393000K022 | Main relief valve, 160 bar | 24 [25]  |
| PA1 + 175 | 16 + 17 | 393000K023 | Main relief valve, 175 bar | 24 [25]  |
| PA1 + 190 | 16 + 17 | 393000K024 | Main relief valve, 190 bar | 24 [25]  |
| PA1 + 210 | 16 + 17 | 393000K025 | Main relief valve, 210 bar | 24 [25]  |
| PA1 + 230 | 16 + 17 | 393000K026 | Main relief valve, 230 bar | 24 [25]  |
| PA1 + 240 | 16 + 17 | 393000K033 | Main relief valve, 240 bar | 24 [25]  |
| PA1 + 250 | 16 + 17 | 393000K027 | Main relief valve, 250 bar | 24 [25]  |
| PA1 + 260 | 16 + 17 | 393000K032 | Main relief valve, 260 bar | 24 [25]  |
| PA1 + 280 | 16 + 17 | 393000K028 | Main relief valve, 280 bar | 24 [25]  |
| PA1 + 300 | 16 + 17 | 393000K029 | Main relief valve, 300 bar | 24 [25]  |
| PA1 + 320 | 16 + 17 | 393000K742 | Main relief valve, 320 bar | 24 [25]  |
| PA1 + 330 | 16 + 17 | 393000K030 | Main relief valve, 330 bar | 24 [25]  |
| PA1 + 350 | 16 + 17 | 393000K031 | Main relief valve, 350 bar | 24 [25]  |
| PA1 + 380 | 16 + 17 | 393000K634 | Main relief valve, 380 bar | 24 [25]  |
| PA1 + 430 | 16 + 17 | 6763234 | Main relief valve, 430 bar | 24 [25]  |
| | - | 9120088010 | Seal kit | 25 (2x) |
| Y | 16 | 393000K034 | Main relief cavity plugged, Y | 26 [25, 30, 31] |
| | - | 393000K804 | Seal kit, Y-plug | 25, 30, 31 |
| T1X | 25 | 393000K253 | T1X kit | 28(2x), 29(2x) |
| | - | 6760101 | Orifice Ø0.7 mm | 21 (5x) |
| | - | 6760100 | Plug M6x6 | 35 (5x) |
| G | 04 | - | Plug VST11/4EDCF | 17(3x) |
| U | 04 | - | Plug 6HP5ON-S | 17(3x) |
| A050 + G | 29 + 04 | 6760561 | Restrictor Ø0.4 mm check valve A050 | 99 |
| A051 + G | 29 + 04 | 6760571 | Restrictor Ø0.6 mm check valve A051 | 99 |
| A052 + G | 29 + 04 | 6760562 | Restrictor Ø0.8 mm check valve A052 | 99 |

Inlet section

AS, AS2, PLM, A050, A051, A052

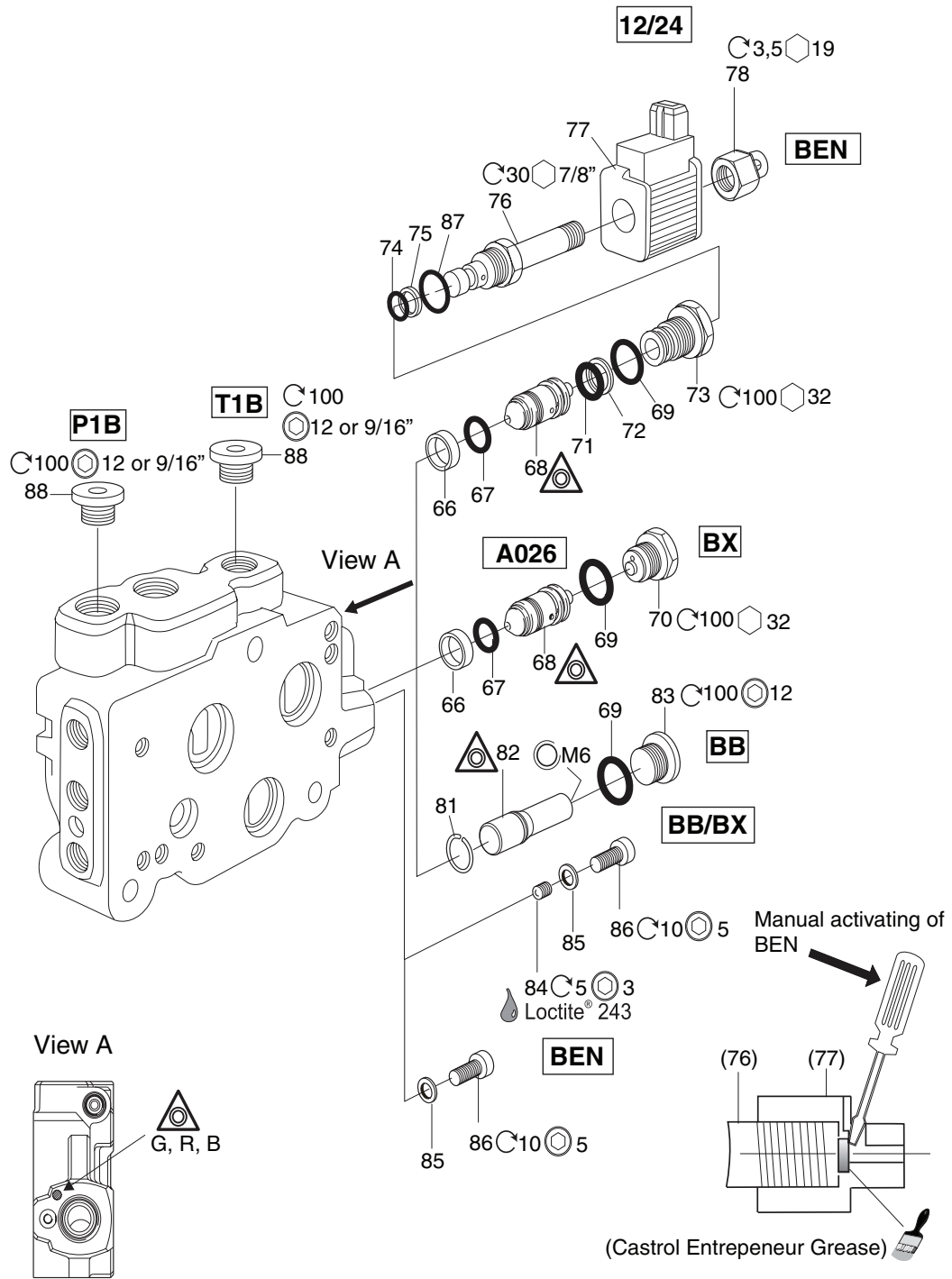


Please use Spare part list K170LS/K220LS, when looking for combine inlet parts.

Inlet section

| See Customer Specification | | | | |
|----------------------------|---------|------------|---------------------------------------|--|
| Code | Pos | Part | Description | Remarks / Items |
| AS | 15 | 393000K867 | Difference pressure limiter, size 'B' | 41, 42, 43, 44, 45, 46, 47, 48, 49 |
| AS | 15 | 6760756 | Difference pressure limiter, size 'G' | 41, 42, 43, 44, 45, 46, 47, 48, 49 |
| AS | 15 | 393000K852 | Sealing set | 50, 51 |
| AS + G | 15 + 04 | - | Plug VST11/4EDCF | 17 |
| AS + U | 15 + 04 | - | Plug 6HP5ON-S | 17 |
| | | | | |
| AS2 | 15 | 393000K868 | Cavity plug | 52, 53, 46 |
| | | 6760100 | Plug M6x6 | 35 (5x) |
| | | | | |
| PLM | 16 | 9120092278 | System pressure limiter | 54, 55, 56, 57, 58, 59, 60, 61, 62, 63, 64 |
| | - | 9120092271 | Seal kit | 54, 55, 59, 62 |
| | | | | |
| A050 + G | 29 + 04 | 6760561 | Restrictor Ø0.4 mm check valve A050 | 99 |
| A051 + G | 29 + 04 | 6760571 | Restrictor Ø0.6 mm check valve A051 | 99 |
| A052 + G | 29 + 04 | 6760562 | Restrictor Ø0.8 mm check valve A052 | 99 |
| | | | | |

P1B, T1B, BEN, BB, BX, 12, 24, A026

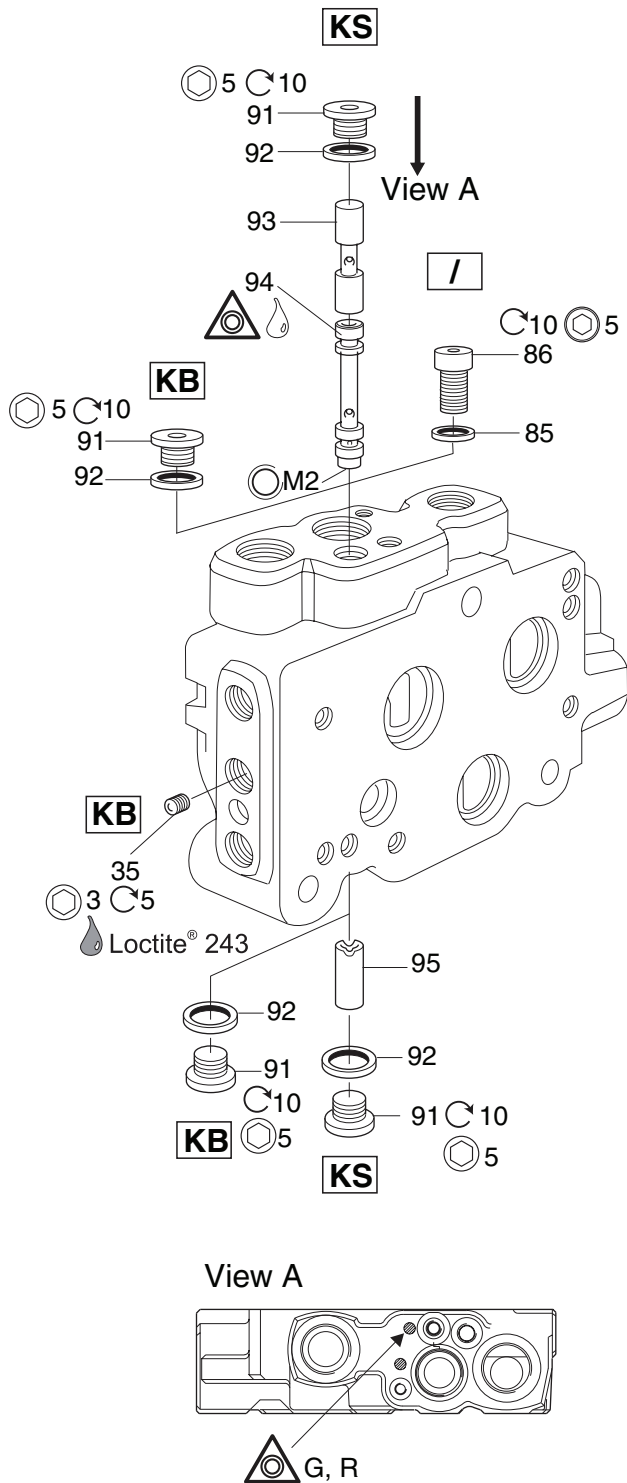


Please use Spare part list K170LS/K220LS, when looking for combine inlet parts.

| See Customer Specification | | | | |
|----------------------------|---------|------------|--------------------------------------|------------------------------------|
| Code | Pos | Part | Description | Remarks / Items |
| T1B + G | 25 + 04 | - | Plug VSTI3/4EDCF | 88 |
| T1B + U | 25 + 04 | - | Plug 12HP5ON-S | 88 |
| P1B + G | 26 + 04 | - | Plug VSTI3/4EDCF | 88 |
| P1B + U | 26 + 04 | - | Plug 12HP5ON-S | 88 |
| | | | | |
| BB | 22 | 393000K208 | Pump blocking cavity plugged, size B | 81, 82, 83 [69], 84, 85, 86 |
| BB | 22 | 393000K408 | Pump blocking cavity plugged, size G | 81, 82, 83 [69], 84, 85, 86 |
| BB | 22 | 393000K608 | Pump blocking cavity plugged, size R | 81, 82, 83 [69], 84, 85, 86 |
| BB | 22 | 6763174 | Plug (O-ring) 3/4", BSP | 83 [69] |
| | | | | |
| BEN | 22 | 6760633 | BEN adapter, cpl. | 73 [69, 71, 72] |
| BEN | 22 | 6760636 | BEN nut | 78 |
| | | | | |
| BEN | 22 | 6760017 | Plug kit M6x10 | 85(2x), 86(2x) |
| BEN | 22 | 6760222 | Plug kit M6x10 | 85(5x), 86(5x) |
| | | | | |
| BEN | 22 | 6760653 | GS02 13 10N, Solenoid cartridge | 76 [74, 75, 87], |
| BEN + 12 | 22 + 05 | 393000K448 | CCS012A, Coil 12 VDC | 77 |
| BEN + 24 | 22 + 05 | 6760652 | CCS024A, Coil 24 VDC | 77 |
| BEN+24+D | 22 + 05 | 6761020 | CCS024HSN, Coil 24VDC, A267 | 77 |
| | | | | |
| BX + G | 22 + 04 | 393000K654 | BX plug, BSP | 70 [69], 84 |
| BX + U | 22 + 04 | 393000K653 | BX plug, UNF | 70 [69], 84 |
| BX, BEN | 22 | 393000K655 | BX/BEN poppet, size R | 68 [66, 67] |
| BX, BEN | 22 | 393000K656 | BX/BEN poppet, size G | 68 [66, 67] |
| BX, BEN | 22 | 393000K657 | BX/BEN poppet, size B | 68 [66, 67] |
| BX + A026 | 22 + 29 | 393000K905 | BX poppet A026, size R | 68 [66, 67] |
| BX + A026 | 22 + 29 | 393000K906 | BX poppet A026, size G | 68 [66, 67] |
| BX + A026 | 22 + 29 | 393000K907 | BX poppet A026, size B | 68 [66, 67] |
| BEN, BX | 22 | 393000K805 | Seal kit BEN, BX | 66, 67, 69, 71, 72, 74, 75, 85, 87 |
| BEN | 22 | 9120091009 | Seal kit BEN | 74, 75, 87 |
| | | | | |

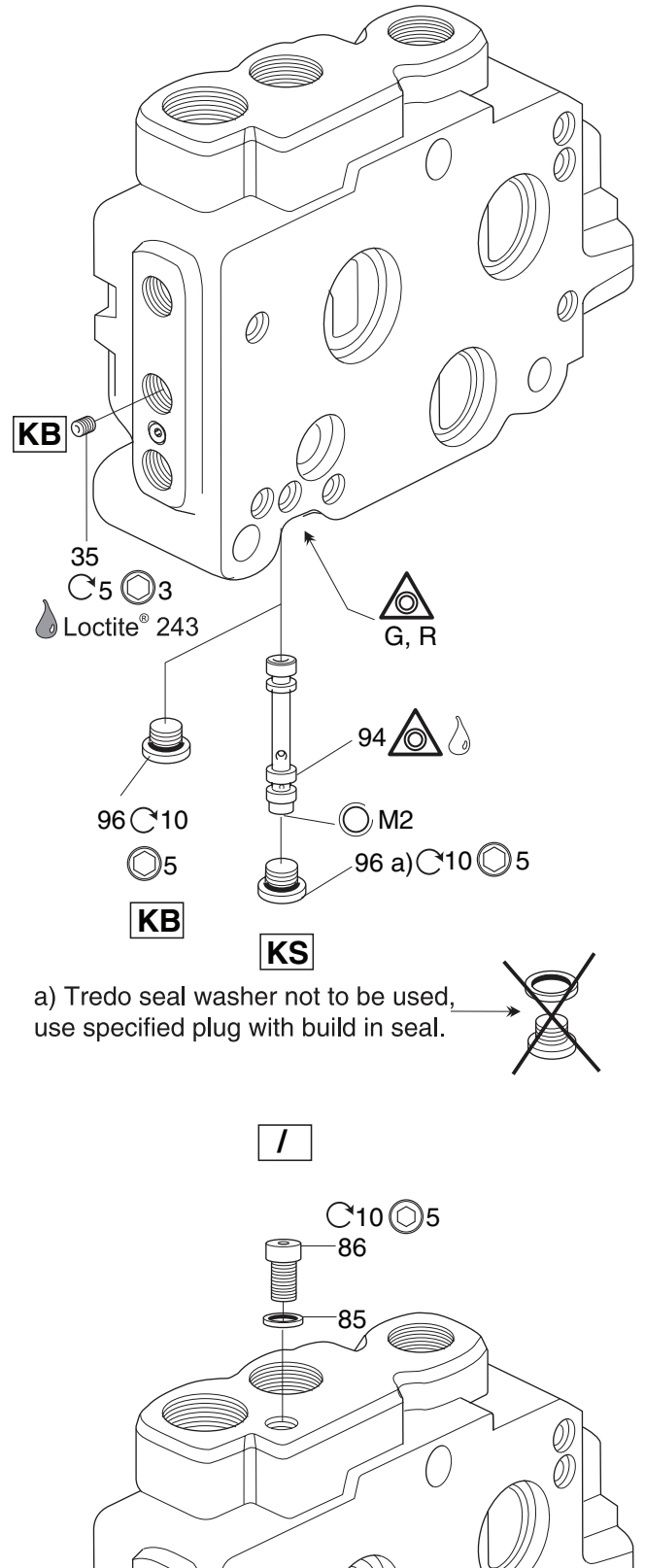
KS, KB, /

Style used up to serial number 0352-...



Please use Spare part list K170LS/K220LS, when looking for combine inlet parts.

Style used from serial number 0401-...



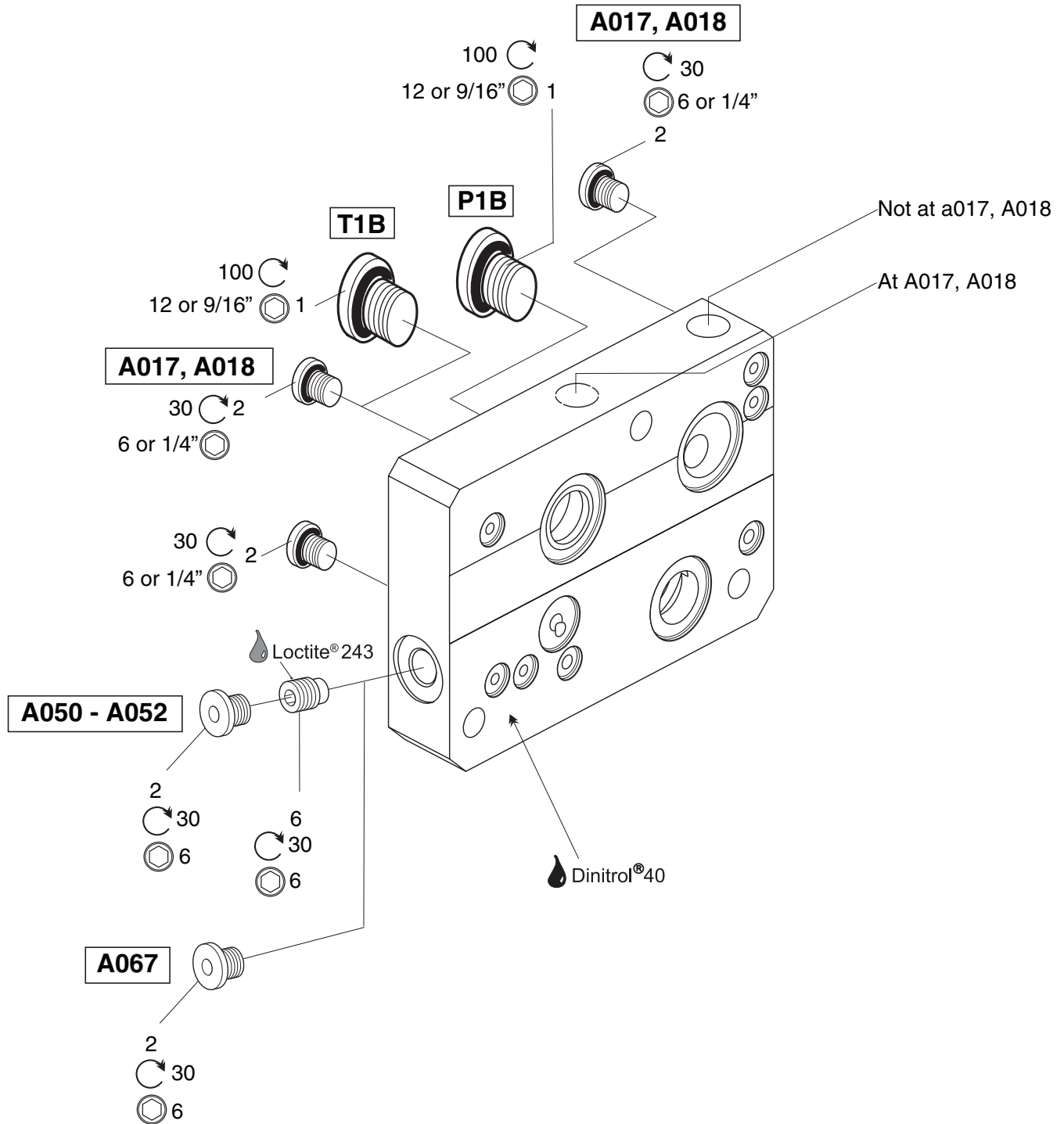
a) Tredo seal washer not to be used, use specified plug with build in seal.

Inlet section

| See Customer Specification | | | | |
|----------------------------|-----|------------|------------------------------|---|
| Code | Pos | Part | Description | Remarks / Items |
| KS | 20 | 393000K035 | Copy spool KS, size G, (old) | 91(2x), 92(2x), 93, 94, 95 |
| KS | 20 | 393000K435 | Copy spool KS, size R, (old) | 91(2x), 92(2x), 93, 94, 95 |
| | | | | |
| KS | 20 | 393000K037 | Copy spool KS, size G, (new) | 94, 96 |
| KS | 20 | 393000K437 | Copy spool KS, size R, (new) | 94, 96 |
| | | | | |
| KB | 20 | 393000K038 | No copy spool, (old) | 35, 91(2x), 92(2x) |
| | | | | |
| KB, KS | 20 | - | Plug VST11/8EDCF, (new) | 96 |
| | | | | |
| KB | 20 | 6760100 | Screw M6x6 | 35 (5x) |
| | | | | |
| / | 20 | 6760222 | Screw/flat seal kit | 85(5x), 86(5x) (Section not machined for KS/KB) |
| / | 20 | 6760101 | Orifice Ø0.7 mm | 21(5x) (See page 4) |
| | | | | |

Inlet plate IP

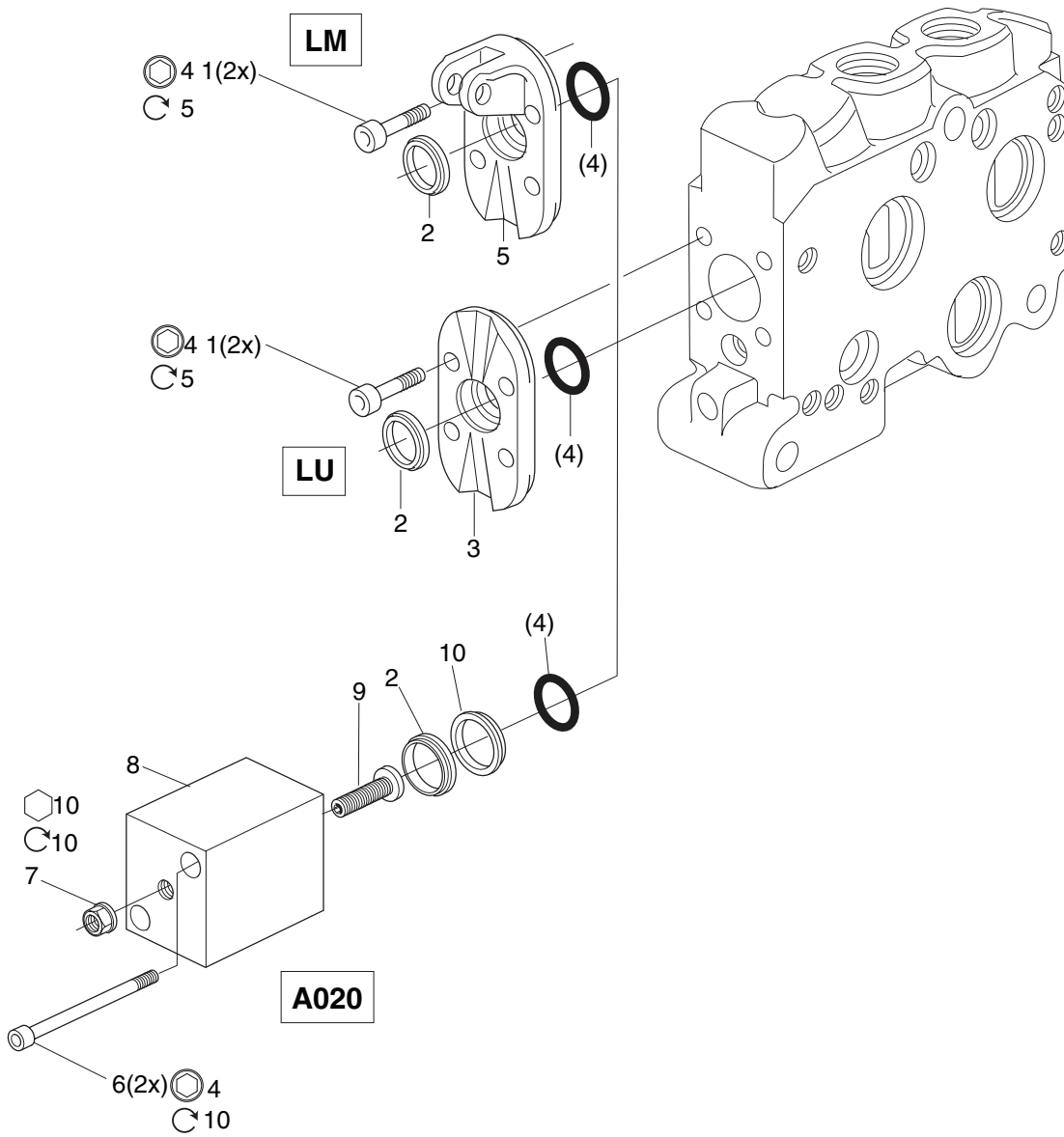
P1B, T1B, A017, A018, A050, A051, A052, A067



Inlet plate IP

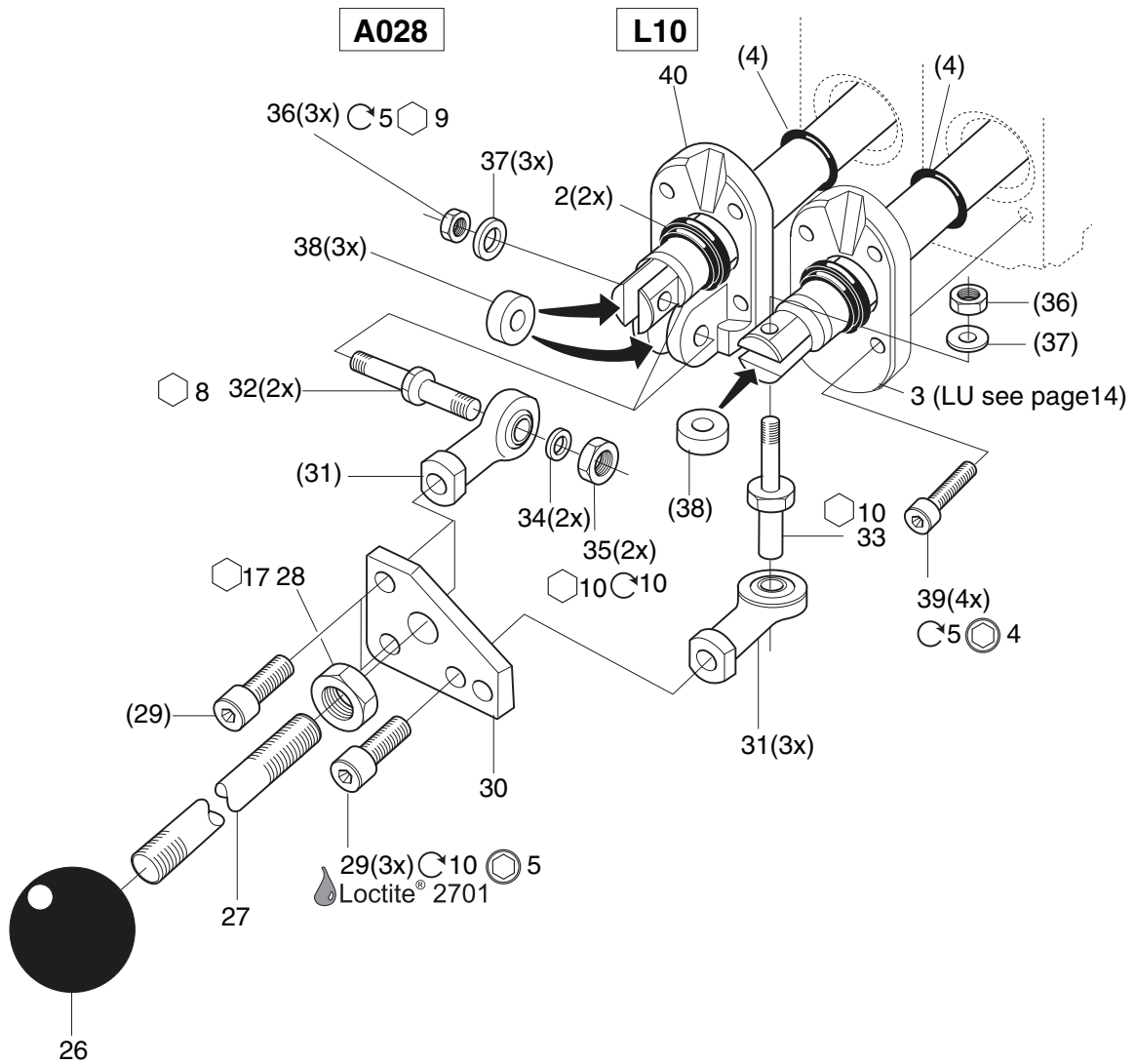
| See Customer Specification | | | | |
|----------------------------|---------|---------|-------------------------------------|-----------------|
| Code | Pos | Part | Description | Remarks / Items |
| G | 04 | - | Plug VSTI1/4EDCF | 2 |
| U | 04 | - | Plug 6HP5ON-S | 2 |
| | | | | |
| T1B + G | 25 + 04 | - | Plug VSTI3/4EDCF | 1 |
| T1B + U | 25 + 04 | - | Plug 12HP5ON-S | 1 |
| | | | | |
| P1B + G | 26 + 04 | - | Plug VSTI3/4EDCF | 1 |
| P1B + U | 26 + 04 | - | Plug 12HP5ON-S | 1 |
| | | | | |
| A050 + G | 29 + 04 | 6760561 | Restrictor Ø0.4 mm check valve A050 | 6 |
| A051 + G | 29 + 04 | 6760571 | Restrictor Ø0.6 mm check valve A051 | 6 |
| A052 + G | 29 + 04 | 6760562 | Restrictor Ø0.8 mm check valve A052 | 6 |
| | | | | |
| A067 + G | 15 + 04 | - | Plug VSTI1/4EDCF | 2 |
| | | | | |

LM, LU, A020



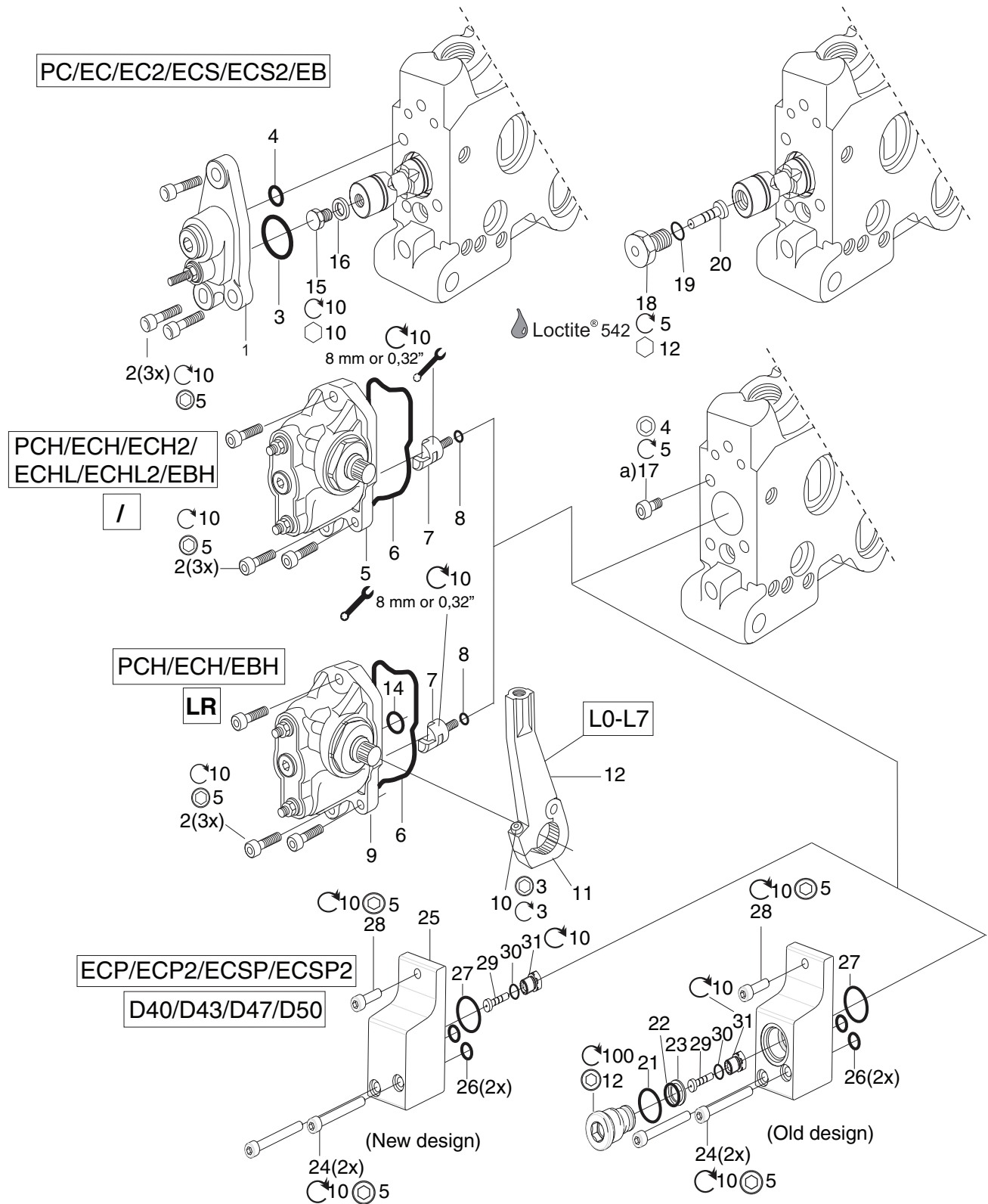
| See Customer Specification | | | | |
|----------------------------|------------|-------------|------------------------------|--|
| Code | Pos | Part | Description | Remarks / Items |
| LM | 51 | 393000K241 | Lever bracket | 1(2x), 5 [2], 4 (4 see page 20 and 22) |
| LU | 51 | 393000K242 | Cover | 1(2x), 3 [2], 4 (4 see page 20 and 22) |
| A020 | 59 | - | Stroke limiting kit ACE, ACP | See page 22, 23 |
| | - | 393000K807 | Spool seal kit | 2, 4(2x) (4 see page 20 and 22) |

L10, A028



| See Customer Specification | | | | |
|----------------------------|-----|------------|------------------------------------|--|
| Code | Pos | Part | Description | Remarks / Items |
| A028 | 59 | 9122178014 | Mechanical joystick spool actuator | 26, 27, 28, 29(3x), 30, 31(3x), 32(2x), 33, 34(2x), 35(2x), 36(3x), 37(3x), 38(3x) |
| A028 | 59 | 6760954 | Handle ball Ø25xØ10 | 26 |
| L10 | 51 | 9120079266 | Lever bracket | 4, 39(2x), 40 [2] (4 see page 20 and 22) |
| | - | 393000K807 | Spool seal kit | 2, 4(2x) (4 see page 20 and 22) |

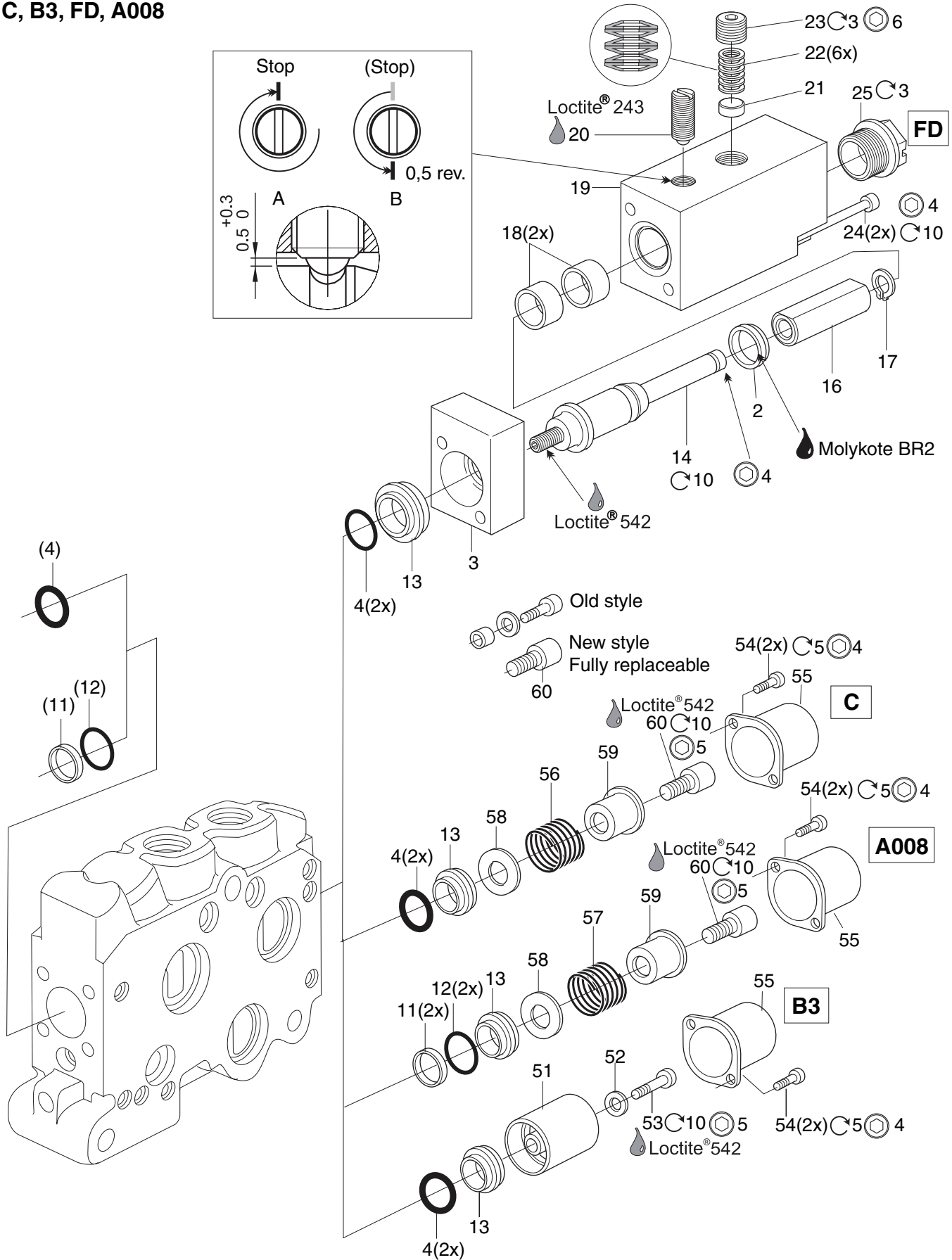
**EB, EBH, EC, ECH, ECHL, ECP, ECS, ECSP, PC, PCH,
 EC2, ECH2, ECP2, ECS2, ECSP2, ECHL2**



| See Customer Specification | | | | |
|--------------------------------|--------------|------------|--------------------------|---------------------------------|
| Code | Pos | Part | Description | Remarks / Items |
| EC, ECS, EB, PC, EC2, ECS2 + G | 50 + 04 | 393000K337 | Cap kit, BSP | 1, 2(3x), 3, 4 |
| EC, ECS, EB, PC, EC2, ECS2 + U | 50 + 04 | 393000K338 | Cap kit, UNF | 1, 2(3x), 3, 4 |
| A016 + G | 50 + 04 | 393000K746 | Cover kit, BSP | Not shown |
| A016 + U | 50 + 04 | 393000K747 | Cover kit, UNF | Not shown |
| | - | 6760774 | Seal kit, BSP | Pls see Appendix B |
| | - | 6760685 | Seal kit, UNF | Pls see Appendix B |
| ECH*, EBH, PCH, CH + / + G | 50 + 52 + 04 | 6760606 | Lever housing kit (BSP) | 2(3x), 5, 6, 7, 8, 17 a) |
| ECH*, EBH, PCH, VH + / + U | 50 + 52 + 04 | 6763395 | Lever housing kit (UNF) | 2(3x), 5, 6, 7, 8, 17 a) |
| ECH*, EBH, PCH, CH | - | 6760775 | Seal kit, BSP | Pls see Appendix B |
| ECH*, EBH, PCH, CH | - | 6760625 | Seal kit, UNF | Pls see Appendix B |
| ECH, EBH, PCH + LR + G | 50 + 52 + 04 | 393000K419 | Lever housing kit (BSP) | 2(3x), 6, 7, 8, 9, 14 |
| ECH, EBH, PCH + LR + U | 50 + 52 + 04 | 393000K420 | Lever housing kit (UNF) | 2(3x), 6, 7, 8, 9, 14 |
| ECH, EBH, PCH + LR | - | 6760809 | Seal kit | Pls see Appendix B |
| ECH, EBH, PCH + / | - | 6760810 | Seal kit | Pls see Appendix B |
| ECH, EBH, PCH + / | - | 6760812 | Seal kit | Pls see Appendix B |
| L0 - L7 | 51 | 393000K344 | Lever kit | 10, 11, 12 |
| Closed spools | 60 | 6760663 | Screw kit | 15, 16 b) |
| D2, D2T, D2X, EA2 | 60 | 393000K901 | Mech. Force feedback pin | 18, 19, 20 |
| ECP, ECP2, ECSP, ECSP2 + Dxx | 50 + 52 | 6760233 | Cap kit on A- side | 24(2x), 25, 26(2x), 27, 28 |
| ECP, ECP2, ECSP, ECSP2 + D35 | 50 + 52 | 6763323 | Pin kit D35 | 29, 30, 31 |
| ECP, ECP2, ECSP, ECSP2 + D40 | 50 + 52 | 6763105 | Pin kit D40 | 29, 30, 31 |
| ECP, ECP2, ECSP, ECSP2 + D43 | 50 + 52 | 6763106 | Pin kit D43 | 29, 30, 31 |
| ECP, ECP2, ECSP, ECSP2 + D47 | 50 + 52 | 6763107 | Pin kit D47 | 29, 30, 31 |
| ECP, ECP2, ECSP, ECSP2 + D50 | 50 + 52 | 6763108 | Pin kit D50 | 29, 30, 31 |
| ECP, ECP2, ECSP, ECSP2 | 50 | 6760236 | Seal kit (old design) | 21, 22, 23, 26(2x), 27 |
| ECP, ECP2, ECSP, ECSP2 | 50 | 6763100 | Seal kit (new design) | 26(2x), 27 |

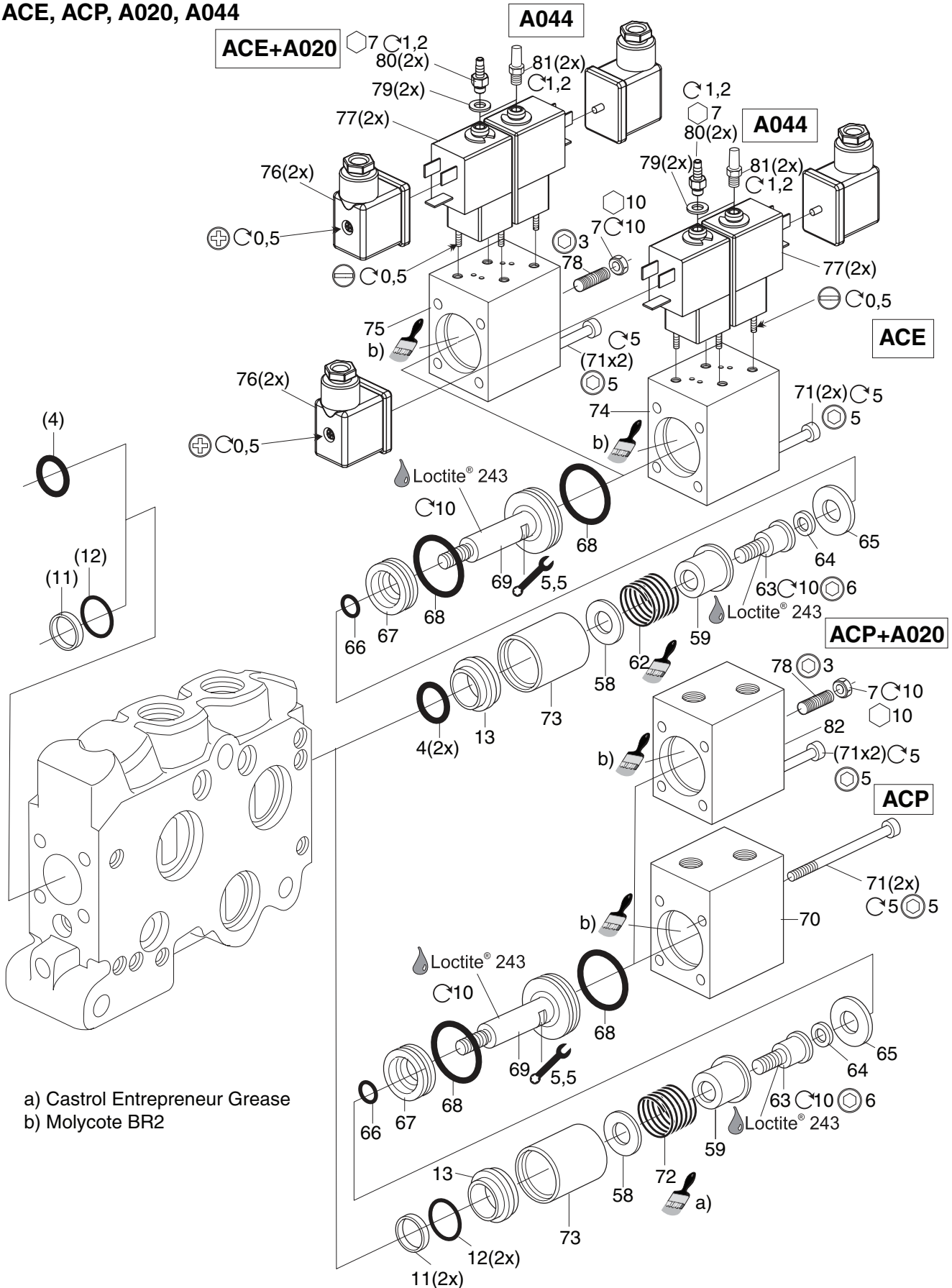
- a) Screw item 17 has expired from Serial No. 0622... (machining for M5 hole does not exist any more).
 b) Not for spool functions D2, D2T, D2X, EA2 and DP, MP, EAP.

C, B3, FD, A008



| See Customer Specification | | | | |
|----------------------------|------------|-------------|--------------------------------------|---|
| Code | Pos | Part | Description | Remarks / Items |
| C | 50 | 393000K235 | Spool actuator, spring centered | 4(2x), 13, 54(2x), 55, 56, 58, 59, 60 |
| C + A008 | 50 + 59 | 393000K619 | C actuator, with lower spring forces | 11(2x), 12(2x), 13, 54(2x), 55, 57, 58, 59, 60 |
| | | | | |
| B3 | 50 | 393000K236 | Spool actuator, 3-pos. detent | 4(2x), 13, 51, 52, 53, 54(2x), 55 |
| | | | | |
| FD | 50 | 393000K896 | Spool actuator FD (complete) | 2 (see page 14), 3, 4(2x), 13, 14, 15 [16, 17], 19 [18(2x), 20, 21, 22(6x), 23], 24(2x), 25 |
| | | | | |
| | - | 6760130 | Detent and Friction kit FD | 20, 21, 22(6x), 23 |
| | | | | |
| | - | 393000K807 | Spool seal kit, standard | 2 (see page 14), 4(2x) |
| A008 | 59 | 9120079275 | Spool seal kit, low friction | 2 (see page 14), 11(2x), 12(2x) |
| | | | | |

ACE, ACP, A020, A044



a) Castrol Entrepreneur Grease
 b) Molycote BR2

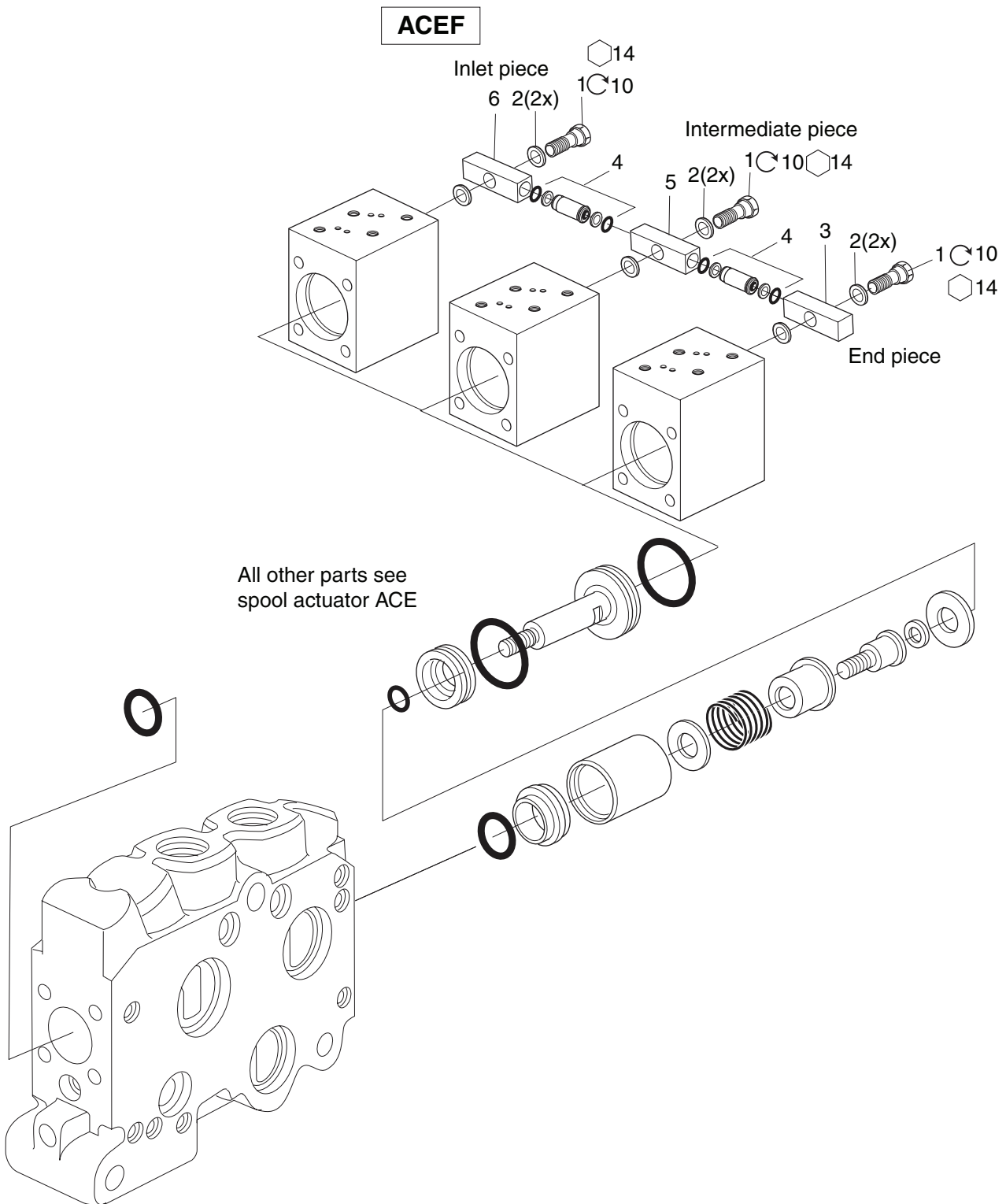
| See Customer Specification | | | | |
|----------------------------|---------|------------|---------------------------------|--|
| Code | Pos | Part | Description | Remarks / Items |
| ACP + G | 50 + 04 | 393000K847 | Pneum. proportional actuator | 11(2x), 12(2x), 13, 58, 59, 63, 64, 65, 66, 67, 68(2x), 69, 70, 71(2x), 72, 73 |
| ACP + U | 50 + 04 | 393000K848 | Pneum. proportional actuator | 11(2x), 12(2x), 13, 58, 59, 63, 64, 65, 66, 67, 68(2x), 69, 70, 71(2x), 72, 73 |
| ACP, A020 | 50, 59 | 9120079115 | Seal kit, ACP, A020 | 11(2x), 12(2x), 66, 68(2x) |
| ACP + A020 + G | 59 + 04 | 393000K894 | Spool stroke limiting kit | 2, 6(2x), 7(2x), 8, 9, 10, 71(2x), 78, 82 * |
| ACP + A020 + U | 59 + 04 | 393000K895 | Spool stroke limiting kit | 2, 6(2x), 7(2x), 8, 9, 10, 71(2x), 78, 82 * |
| ACE + G | 50 + 04 | 393000K237 | Electropneum. on-off actuator | 4(2x), 13, 58, 59, 62, 63, 64, 65, 66, 67, 68(2x), 69, 71(2x), 73, 74 |
| ACE + U | 50 + 04 | 393000K238 | Electropneum. on-off actuator | 4(2x), 13, 58, 59, 62, 63, 64, 65, 66, 67, 68(2x), 69, 71(2x), 73, 74 |
| ACE, A020 | 50, 59 | 393000K808 | Seal kit, ACE, A020 | 4(2x), 66, 68(2x) |
| ACE + A020 + G | 59 + 04 | 393000K892 | Spool stroke limiting kit | 2, 4(2x), 6(2x), 7(2x), 8, 9, 10, 71(2x), 75, 78 ** |
| ACE + A020 + U | 59 + 04 | 393000K893 | Spool stroke limiting kit | 2, 4(2x), 6(2x), 7(2x), 8, 9, 10, 71(2x), 75, 78 ** |
| A020 | 59 | 393000K904 | Seal kit A020 (ACP) | 2, 4(2x), 7(2x) *** |
| ACE + 12 | 50 + 05 | 9123958812 | Solenoid valve, 12 VDC | 76, 77, 79, 80 |
| ACE + 24 | 50 + 05 | 9123958824 | Solenoid valve, 24 VDC | 76, 77, 79, 80 |
| ACE2 | - | 9120099615 | Seal kit for one solenoid valve | Not shown |
| A044 | 59 | 393000K872 | Silencer | 81(2x) |

* Kit consists also of Items 2, 6, 7, 8, 9, 10 on page 14

** Kit consists also of Items 2, 4, 6, 7, 8, 9, 10 on page 14

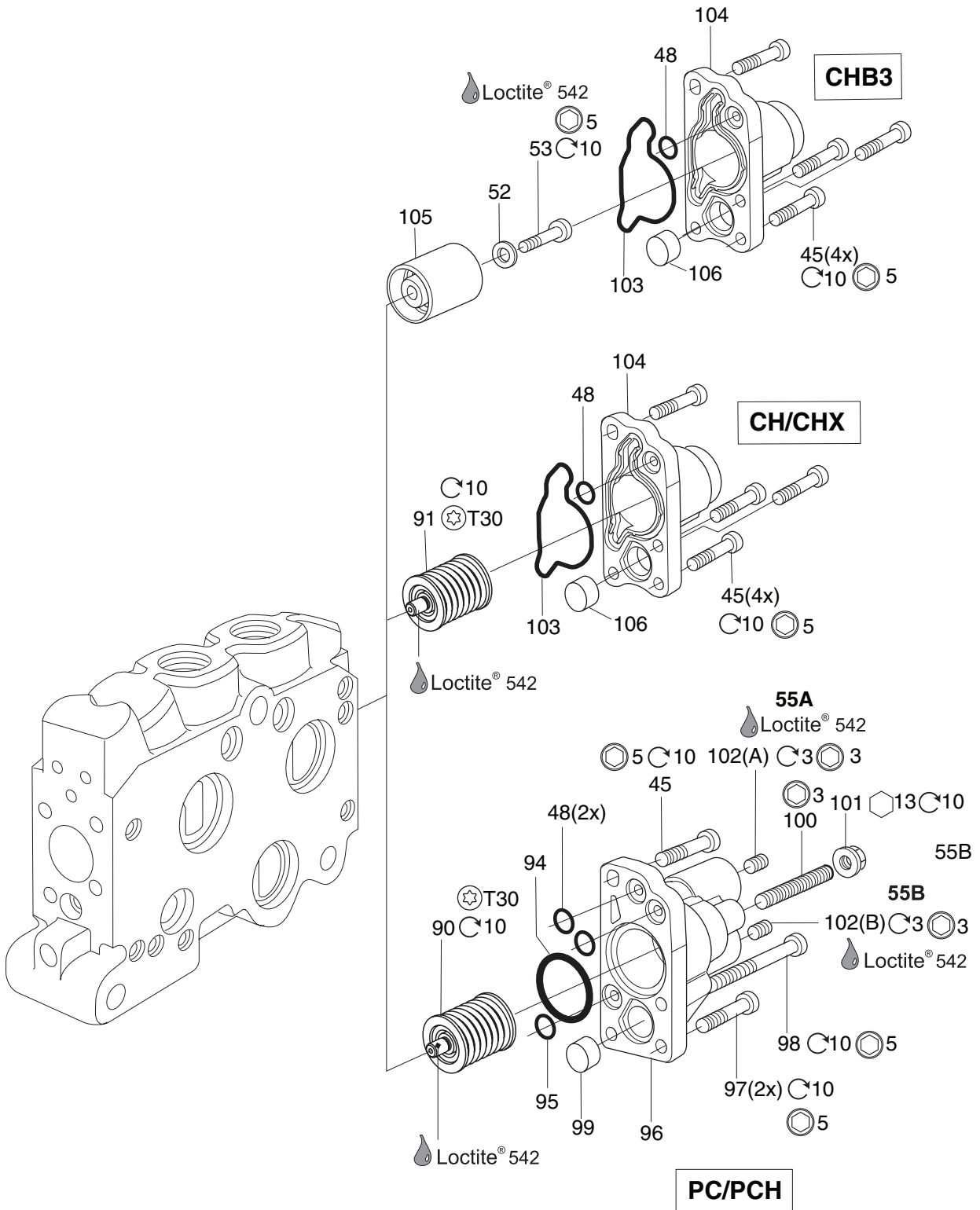
*** Kit consists also of Items 2, 4, 7 on page 14

ACEF



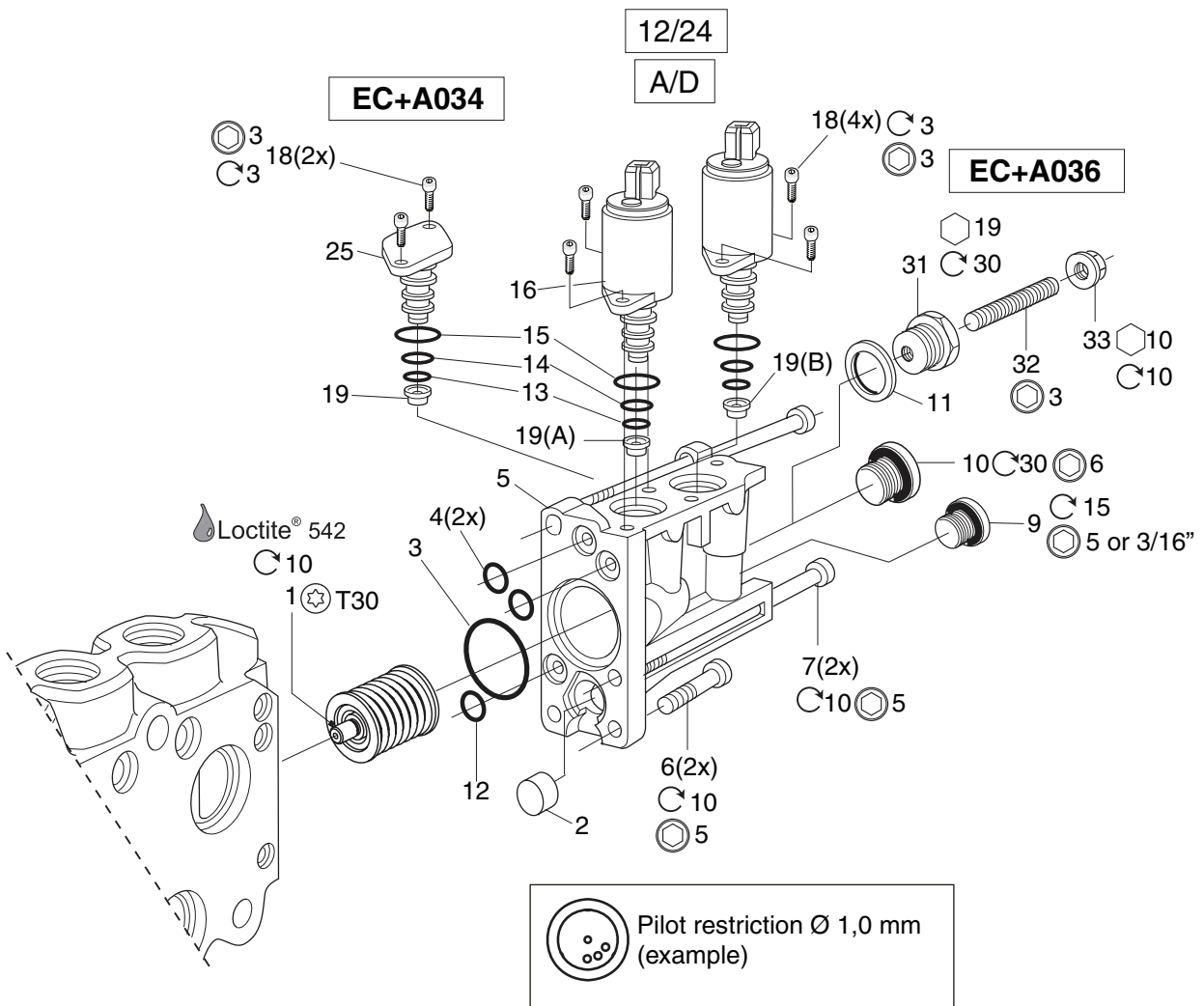
| See Customer Specification | | | | |
|----------------------------|------------|-------------|--------------------------------------|------------------------|
| Code | Pos | Part | Description | Remarks / Items |
| ACEF | 50 + 04 | 393000K855 | Pressure supply, inlet piece, (BSP) | 1, 2(2x), 4, 6 |
| ACEF | 50 + 04 | 393000K856 | Pressure supply, inlet piece, (UNF) | 1, 2(2x), 4, 6 |
| ACEF | | 393000K857 | Pressure supply, intermediate piece | 1, 2(2x), 4, 5 |
| ACEF | | 9120039072 | Pressure supply, endpiece, (BSP/UNF) | 1, 2(2x), 3 |
| ACEF | | 393000K854 | Connection pipe | 4 |
| ACEF | | 6760565 | ACEF banjo fitting | 1, 2(2x) |
| | | | | |

CH, CHX, CHB3, PC, PCH



| See Customer Specification | | | | |
|----------------------------|---------|------------|-----------------------------|---|
| Code | Pos | Part | Description | Remarks / Items |
| CH, CHX | 50 | 393000K339 | Cap kit | 45(4x), 48, 103, 104, 106 |
| CH, CHX | - | 393000K844 | Seal kit, cap | 48, 103 |
| CH | 50 | 393000K340 | Spring kit | 91 |
| CHX | 50 | 393000K341 | Spring kit | 91 |
| CHB3 | 50 | 393000K849 | Actuator with 3-pos. detent | 45(4x), 48, 52, 53, 103, 104, 105, 106 |
| CHB3 | - | 393000K844 | Seal kit | 48, 103 |
| PC, PCH | 50 | 393000K343 | Spring kit | 90 |
| PC, PCH + G | 50 + 04 | 393000K239 | Cap kit, (BSP) | 45, 48(2x), 94, 95, 96 [100, 101], 97(2x), 98, 99 |
| PC, PCH + U | 50 + 04 | 393000K240 | Cap kit, (UNF) | 45, 48(2x), 94, 95, 96 [100, 101], 97(2x), 98, 99 |
| PC, PCH | - | 393000K845 | Seal kit | 48(2x), 94, 95, 101 |
| 0,6 | 55A/B | 6760076 | Pilot restriction, ø0.6 | 102 (5x) |
| 0,8 | 55A/B | 6760102 | Pilot restriction, ø0.8 | 102 (5x) |
| 1,0 | 55A/B | 6760104 | Pilot restriction, ø1.0 | 102 (5x) |
| 1,2 | 55A/B | 6760106 | Pilot restriction, ø1.2 | 102 (5x) |
| 1,4 | 55A/B | 6760108 | Pilot restriction, ø1.4 | 102 (5x) |
| A016 + G | 50 + 04 | 393000K748 | Cap kit, BSP | Not shown |
| A016 + U | 50 + 04 | 393000K749 | Cap kit, UNF | Not shown |

EB, EBH, EBHL, EC, ECH, ECHL, ECP, ECS, ECSP, A, D, 12, 24, A034, A036



| See Customer Specification | | | | |
|--------------------------------|----------|------------|--------------------------------|---|
| Code | Pos | Part | Description | Remarks / Items |
| EC,ECH,EB,EBH,ECP,ECS,ECSP | 50 | 393000K343 | Spring kit, std (5.5-15) bar | 1 |
| ECHL, EBHL | 50 | 393000K342 | Spring kit, Light (5.5-11) bar | 1 |
| EC,ECH,EB,EBH,ECP,ECS,ECSP + G | 50 + 04 | 393000K151 | Cap kit, (BSP) | 2, 3, 4(2x), 5, 6(2x), 7(2x), 10, 12, 18(4x) |
| EC,ECH,EB,EBH,ECP,ECS,ECSP + U | 50 + 04 | 393000K152 | Cap kit, (UNF) | 2, 3, 4(2x), 5, 6(2x), 7(2x), 9, 10, 12, 18(4x) |
| A036 + G | 59 + 04 | 6760781 | Cap kit A036, (BSP) | 2, 3, 4(2x), 5, 6(2x), 7(2x), 9, 11, 12, 18(4x), 31, 32, 33 |
| A036 + U | 59 + 04 | 6763226 | Cap kit A036, (UNF) | |
| A036 | 59 | 393000K845 | Seal kit A036 | 3, 4(2x), 12, 33 |
| EC,ECH,EB,EBH,ECP,ECS,ECSP + G | 50 + 04 | 393000K846 | Seal kit (BSP) | 3, 4(2x), 10, 12 |
| EC,ECH,EB,EBH,ECP,ECS,ECSP + U | 50 + 04 | 393000K871 | Seal kit (UNF) | 3, 4(2x), 9, 10, 12 |
| A034 | 89A/89B | 393000K984 | Blocking plug PVC25 | 25 [13, 14, 15], 18(2x), 19 |
| A036 | 59 | 393000K036 | Spool stroke limiting kit | 11, 31, 32, 33 |
| A023 | 59 | 393000K859 | Spring kit, (8-24) bar | 1 |
| A063 | 59 | 6763031 | Spring kit, (7-26) bar | 1 |
| A064 | 59 | 6760645 | Spring kit, (6.5-20) bar | 1 |
| A107 | 59 | 6760264 | Spring kit, (6.5-17) bar | 1 |
| A259 | 59 | 398000K023 | Spring kit, (6.5-15) bar | 1(Stroke limited spring pack,5,3mm) |
| EC,ECH,EB,EBH,ECP,ECS,ECSP | 50 | - | Plug VST11/4EDCF | 10 |
| EC*, EB*/ A036 + U | 50/59+04 | - | Plug 4HP5ON-S | 9 |
| A036 + G | 59 + 04 | - | Plug VST11/8EDCF | 9 |

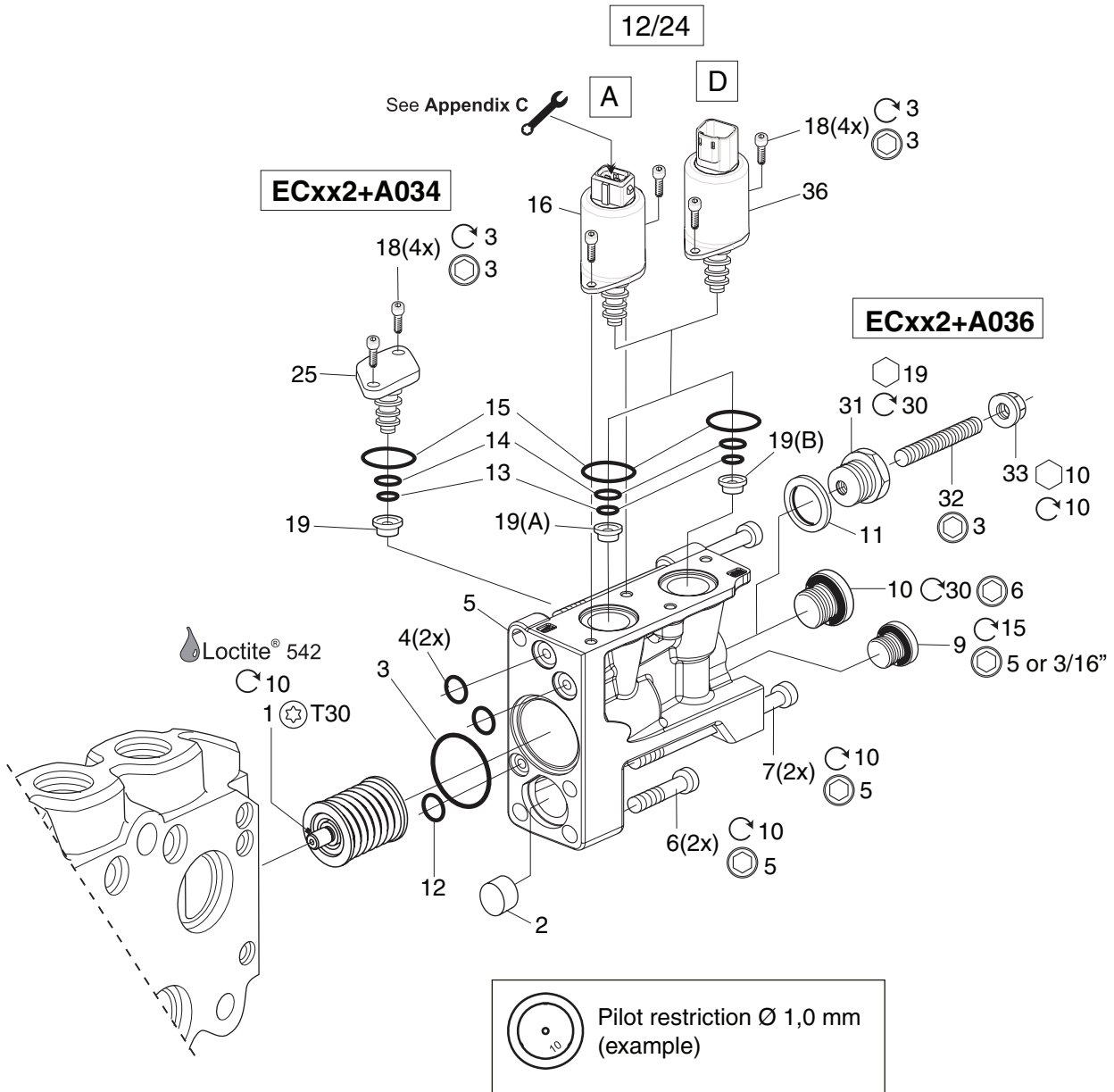
| Code | Pos | Part | Description | Remarks / Items |
|---------|-----------------|------------|--|---|
| b)+12+A | 50/59+05+56A/B | 393000M012 | PVC25 solenoid valve, 12 VDC | 16, 18(2x) Man. override, air bleed, AMP |
| b)+24+A | 50/59+05+56A/B | 393000M024 | PVC25 solenoid valve, 24 VDC | 16, 18(2x) Man. override, air bleed, AMP |
| c)+12+D | 50 + 05 + 56A/B | 393000D012 | PVC25 solenoid valve, 12 VDC | 16, 18(2x) No man. overr. no air bleed, Deutsch |
| c)+24+D | 50 + 05 + 56A/B | 393000D024 | PVC25 solenoid valve, 24 VDC | 16, 18(2x) No man. overr. no air bleed, Deutsch |
| c)+12+A | 50 + 05 + 56A/B | 393000N012 | PVC25 solenoid valve, 12 VDC | 16, 18(2x) No man. overr. no air bleed, AMP |
| c)+24+A | 50 + 05 + 56A/B | 393000N024 | PVC25 solenoid valve, 24 VDC | 16, 18(2x) No man. overr. no air bleed, AMP |
| b), c) | 50 | 393000K813 | Seal kit, PVC25 | 13, 14, 15 |
| 2,0 | 55A/B | 6760090 | Pilot orifice ø2.0, marking: 9 spots | 19(5x), (earlier marked black) |
| 1,5 | 55A/B | 6760089 | Pilot orifice ø1.5, marking: 8 spots | 19(5x), (earlier marked blue) |
| 1,4 | 55A/B | 6760088 | Pilot orifice ø1.4, marking: 7 spots | 19(5x), (earlier marked green/white) |
| 1,3 | 55A/B | 6760087 | Pilot orifice ø1.3, marking: 6 spots | 19(5x), (earlier marked orange) |
| 1,2 | 55A/B | 6760086 | Pilot orifice ø1.2, marking: 5 spots | 19(5x), (earlier marked yellow) |
| 1,1 | 55A/B | 6760085 | Pilot orifice ø1.1, marking: 4 spots | 19(5x), (earlier marked red) |
| 1,0 | 55A/B | 6760084 | Pilot orifice ø1.0, marking: 3 spots | 19(5x), (earlier marked green) |
| 0,9 | 55A/B | 6760083 | Pilot orifice ø0.9, marking: 10 spots | 19(5x), (earlier marked red/white) |
| 0,8 | 55A/B | 6760082 | Pilot orifice ø0.8, marking: 2 spots | 19(5x), (earlier marked white) |
| 0,7 | 55A/B | 6760081 | Pilot orifice ø0.7, marking: 12 spots | 19(5x), (earlier marked black/red) |
| 0,6 | 55A/B | 6760080 | Pilot orifice ø0.6, marking: 1 spot | 19(5x), (earlier marked brown) |
| 0,45 | 55A/B | 6760079 | Pilot orifice ø0.45, marking: 11 spots | 19(5x), (earlier marked blue/white) |

b) EC, ECP, ECH/A096, ECHL/A096;

c) ECH, ECHL, ECS, ECSP

Spool Actuators, Side B

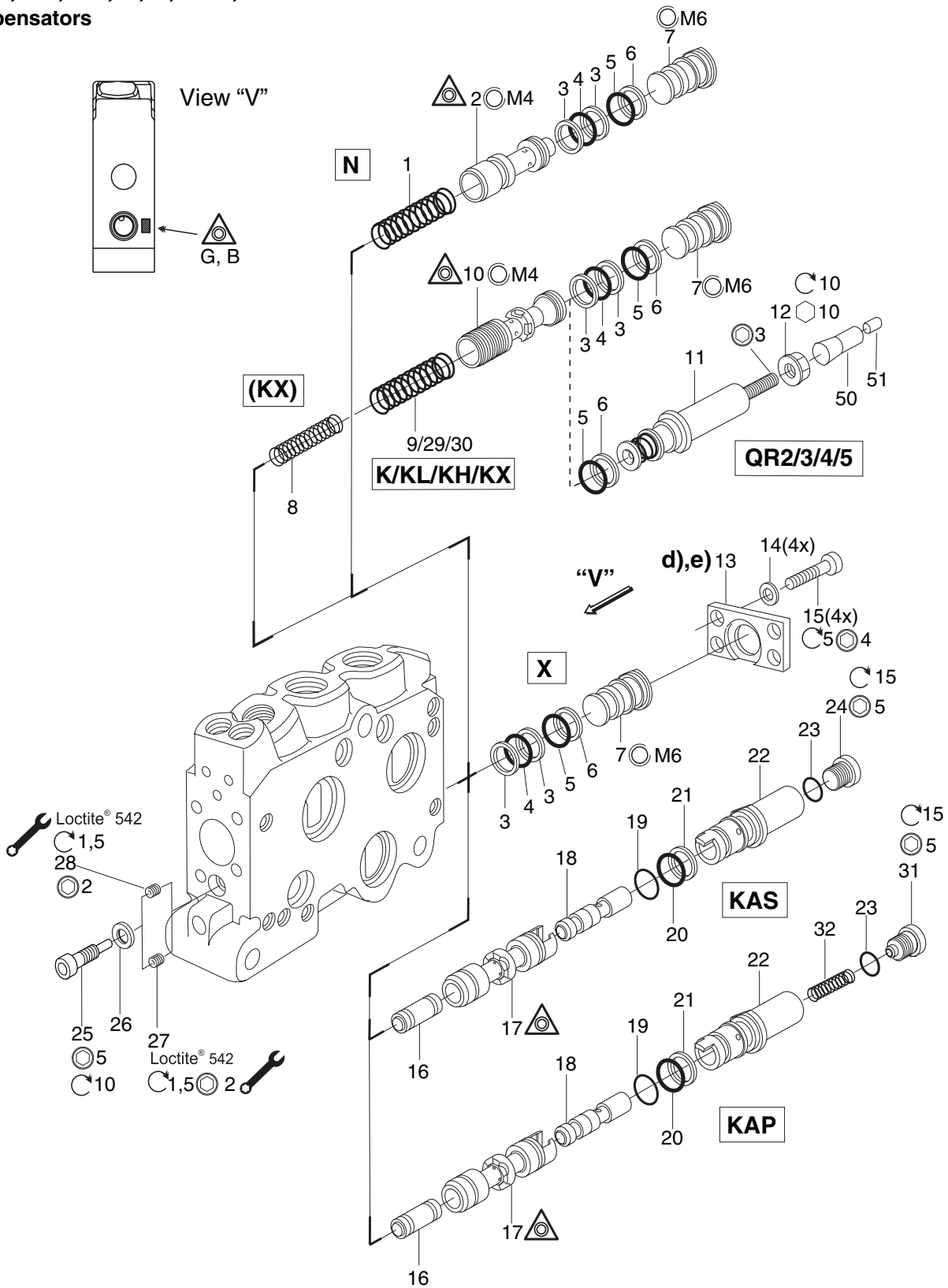
EC2, ECH2, ECHL2, ECS2, ECP2, ECSP2, A, D, 12, 24, A034, A036



Spool Actuators, Side B

| See Customer Specification | | | | |
|------------------------------|--------------|------------|--------------------------------|---|
| Code | Pos | Part | Description | Remarks / Items |
| EC2, ECH2, ECS2, ECP2, ECSP2 | 50 | 393000K343 | Spring kit, std (5.5-15) bar | 1 |
| ECHL2 | 50 | 393000K342 | Spring kit, Light (5.5-11) bar | 1 |
| ECxx2 + G | 50 + 04 | 6763033 | Cap kit ECxx2, B-side, (BSP) | 2,3,4(2x),5,6(2x),7(2x),10,12,18(4x) |
| ECxx2 + U | 50 + 04 | 6761071 | Cap kit ECxx2, B-side, (UNF) | 2,3,4(2x),5,6(2x),7(2x),9,10,12,18(4x) |
| A036+EC2,ECS2,ECP2,ECSP2+G | 59 + 50 + 04 | 6763032 | Cap kit A036, (BSP) | 2,3,4(2x),5,6(2x),7(2x),9,11,12,18(4x),31,32,33 |
| A036+EC2,ECS2,ECP2,ECSP2+U | 59 + 50 + 04 | 6763227 | Cap kit A036, (UNF) | |
| A036 | 59 | 393000K845 | Seal kit A036 | 3, 4(2x), 12, 33 |
| ECxx2 + G | 50 + 04 | 393000K846 | Seal kit (BSP) | 3, 4(2x), 10, 12 |
| ECxx2 + U | 50 + 04 | 393000K871 | Seal kit (UNF) | 3, 4(2x), 9, 10, 12 |
| A034 | 89A/89B | 6761087 | Blocking plug PS25 | 25[13, 14, 15], 18(2x), 19 |
| A036 | 59 | 393000K036 | Spool stroke limiting kit | 11, 31, 32, 33 |
| ECxx2 | 50 | - | Plug VSTI1/4EDCF | 10 |
| ECxx2/A036 + U | 50/59 + 04 | - | Plug 4HP5ON-S | 9 |
| A036 + G | 59 + 04 | - | Plug VSTI1/8EDCF | 9 |
| ECS2,ECSP2,ECH2,ECHL2+12+A | 50+05+56 | 6763059 | PS25 solenoid valve, 12 VDC | 16 [13, 14, 15], 18(2x) No man. override. |
| ECS2,ECSP2,ECH2,ECHL2+24+A | 50+05+56 | 6763060 | PS25 solenoid valve, 24 VDC | 16 [13, 14, 15], 18(2x) No man. override. |
| ECS2,ECSP2,ECH2,ECHL2+12+D | 50+05+56 | 6763061 | PS25 solenoid valve, 12 VDC | 36 [13, 14, 15], 18(2x) No man. override. |
| ECS2,ECSP2,ECH2,ECHL2+24+D | 50+05+56 | 6763062 | PS25 solenoid valve, 24 VDC | 36 [13, 14, 15], 18(2x) No man. override. |
| EC2, ECP2 + 12 + A | 50+05+56 | 6763328 | PS25MO solenoid valve, 12 VDC | 16 [13, 14, 15], 18(2x) Man. override. |
| EC2, ECP2 + 24 + A | 50+05+56 | 6763327 | PS25MO solenoid valve, 24 VDC | 16 [13, 14, 15], 18(2x) Man. override. |
| ECxx2 | 50 | 6760507 | Seal kit PS25 | 13(5x), 14(5x), 15(5x) |
| ECxx2 + 2,0 | 50+55A/55B | 398000K603 | Pilot orifice Ø2.0, marked 2 | 19 (5x) |
| ECxx2 + 1,5 | 50+55A/55B | 6763677 | Pilot orifice Ø1.5, marked 15 | 19 (5x) |
| ECxx2 + 1,3 | 50+55A/55B | 6763676 | Pilot orifice Ø1.3, marked 13 | 19 (5x) |
| ECxx2 + 1,2 | 50+55A/55B | 6763675 | Pilot orifice Ø1.2, marked 12 | 19 (5x) |
| ECxx2 + 1,1 | 50+55A/55B | 6763674 | Pilot orifice Ø1.1, marked 11 | 19 (5x) |
| ECxx2 + 1,0 | 50+55A/55B | 6763673 | Pilot orifice Ø1.0, marked 10 | 19 (5x) |
| ECxx2 + 0,9 | 50+55A/55B | 6763672 | Pilot orifice Ø0.9, marked 9 | 19 (5x) |
| ECxx2 + 0,8 | 50+55A/55B | 6763671 | Pilot orifice Ø0.8, marked 8 | 19 (5x) |
| ECxx2 + 0,7 | 50+55A/55B | 6763670 | Pilot orifice Ø0.7, marked 7 | 19 (5x) |
| ECxx2 + 0,6 | 50+55A/55B | 6763669 | Pilot orifice Ø0.6, marked 6 | 19 (5x) |

K, KL, KX, KH, N, X, KAP, KAS
 Compensators

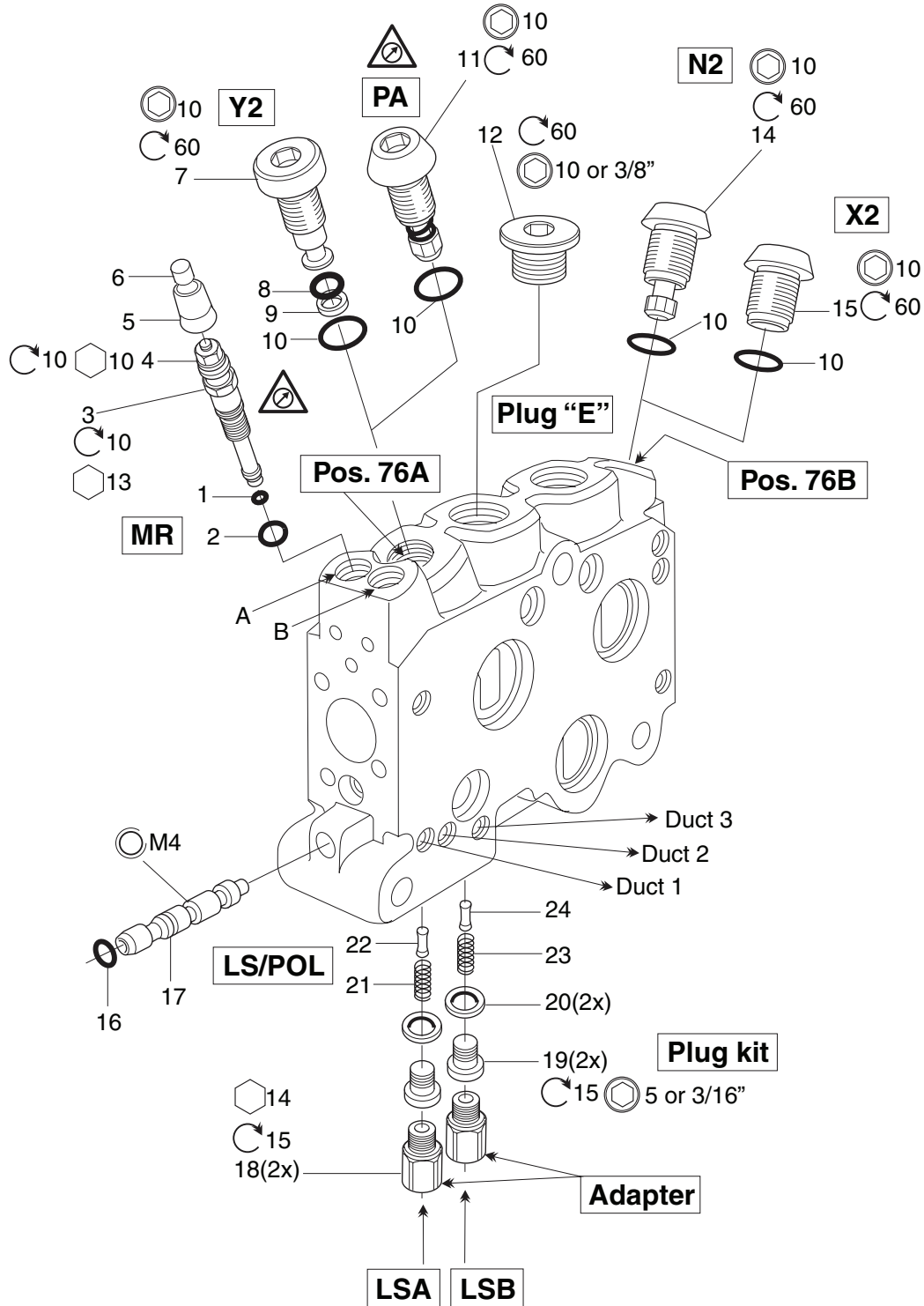























| See Customer Specification | | | | |
|----------------------------|-------------|------------|---------------------------------------|---|
| Code | Pos | Part | Description | Remarks / Items |
| K | 66 | 393000K169 | Compensator kit, size Blue | 9, 10, 7 [3(2x), 4, 5, 6], 25, 26 |
| K | 66 | 393000K469 | Compensator kit, size Green | 9, 10, 7 [3(2x), 4, 5, 6], 25, 26 |
| K | 66 | 6760767 | Spring kit, K | 9 |
| KL | 66 | 393000K209 | Compensator kit, size Blue | 29, 10, 7 [3(2x), 4, 5, 6], 25, 26 |
| KL | 66 | 393000K409 | Compensator kit, size Green | 29, 10, 7 [3(2x), 4, 5, 6], 25, 26 |
| KL | 66 | 6760768 | Spring kit, KL | 29 |
| KH | 66 | 393000K505 | Compensator kit, size Blue | 30, 10, 7 [3(2x), 4, 5, 6], 25, 26 |
| KH | 66 | 393000K506 | Compensator kit, size Green | 30, 10, 7 [3(2x), 4, 5, 6], 25, 26 |
| KH | 66 | 6760769 | Spring kit, KH | 30 |
| KX | 66 | 393000K616 | Compensator kit, size Blue | 8, 30, 10, 7 [3(2x), 4, 5, 6], 25, 26 |
| KX | 66 | 393000K617 | Compensator kit, size Green | 8, 30, 10, 7 [3(2x), 4, 5, 6], 25, 26 |
| KX | 66 | 6760770 | Spring kit, KX | 8, 30 |
| 0,45 | 67 | 6760093 | Restrictor \varnothing 0.45 mm (K*) | 27 (5x) |
| 0,6 | 67 | 6760094 | Restrictor \varnothing 0.6 mm (K*) | 27 (5x) |
| 0,8 | 67 | 6760096 | Restrictor \varnothing 0.8 mm (K*) | 27 (5x) |
| 1,0 | 67 | 6760097 | Restrictor \varnothing 1.0 mm (K*) | 27 (5x) |
| / + N, X | 67 + 66 | - | Screw P6SS M4 x 5, ISO 4026 | 28 (Not at "POT" in pos. 47 and "/" in pos. 66) |
| N | 66 | 393000K170 | Supply check valve kit, size Blue | 1, 2, 7 [3(2x), 4, 5, 6], 25, 26, 28 |
| N | 66 | 393000K470 | Supply check valve kit, size Green | 1, 2, 7 [3(2x), 4, 5, 6], 25, 26, 28 |
| N | 66 | 6760771 | Spring kit, N | 1 |
| K, KL, KH, KX, N, X | - | 393000K811 | Seal kit, K/KL/KH/KX/N/X | 3(2x), 4, 5, 6 |
| KAP | 66 | 6760593 | Compensator KAP, size Blue | 16, 17, 18, 22 [19, 20, 21], 23, 25, 26, 31, 32 |
| KAP | 66 | 6760592 | Compensator KAP, size Green | 16, 17, 18, 22 [19, 20, 21], 23, 25, 26, 31, 32 |
| KAS | 66 | 393000K865 | Compensator KAS, size Blue | 16, 17, 18, 22 [19, 20, 21], 23, 24, 25, 26 |
| KAS | 66 | 393000K866 | Compensator KAS, size Green | 16, 17, 18, 22 [19, 20, 21], 23, 24, 25, 26 |
| KAP, KAS | 66 | 393000K908 | Seal kit KAP/KAS | 19, 20, 21, 23, 26 |
| KAS | 66 | 6760040 | Plug (O-ring) 1/8" BSP | 24 [23] |
| QR2/3/4/5, K | 82 + 66 | 393000K233 | Flow reducing kit for K | 11 [5, 6, 12] |
| QR2/3/4/5, KL | 82 + 66 | 393000K234 | Flow reducing kit for KL | 11 [5, 6, 12] |
| QR2/3/4/5 | - | 393000K860 | Seal kit, QR2/3/4/5 | 5, 6, 12 |
| QR2/3/4/5 | - | 393000K852 | Sealing kit | 50, 51 |
| X | 66 | 393000K171 | Plug, X | 7 [3(2x), 4, 5, 6], 25, 26, 28 |
| /, K*, N, X | 66 | 6760280 | Plug kit M6x12 | 25, 26 (Not at "POT" in pos. 47) |
| Cover d) | 50 + 82, 66 | 6760793 | Cover | 13, 14(4x), 15(4x) |
| Cover e) | 50 | 393000K172 | Cover | 13, 14(4x), 15(4x) |

d) (ACE, ACEF, ACP) + (QR2/3/4/5, KAP/KAS);

e) C, B3, ACE, ACEF, ACP, FD.

Accessories

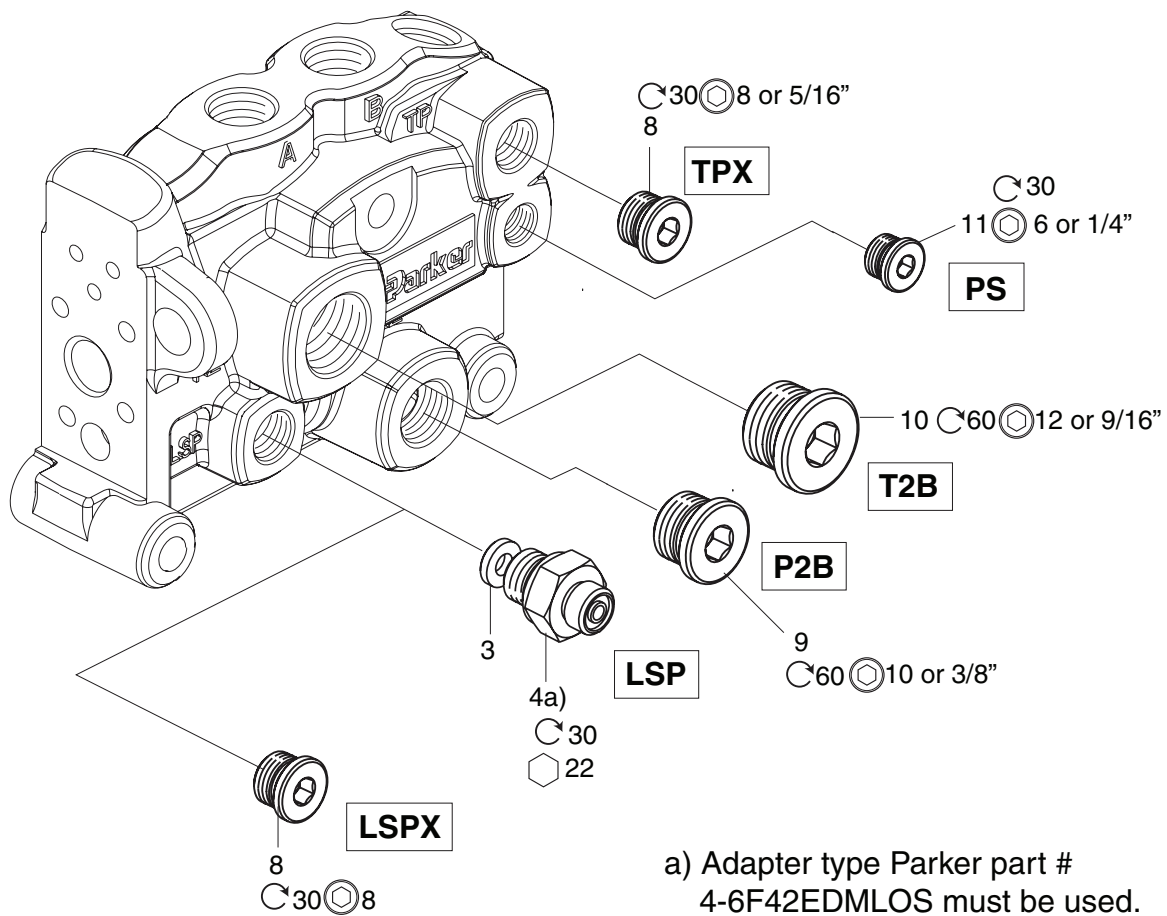


| See Customer Specification | | | | | |
|----------------------------|---------|-------------|--------------|---|---|
| Code | Pos | Part #, std | Part #, A005 | Description | Remarks / Items |
| 25 | 76A/76B | 393000U052 | 393000U053 | Port relief valve, PLC053- 25-10, (bar at 10 l/min) | 11 [10]  |
| 32 | 76A/76B | 6760472 | 6760471 | Port relief valve, PLC053- 32-10 | 11 [10]  |
| 50 | 76A/76B | 393000K176 | 393000K558 | Port relief valve, PLC053- 50-10 | 11 [10]  |
| 63 | 76A/76B | 393000K177 | 393000K559 | Port relief valve, PLC053- 63-10 | 11 [10]  |
| 80 | 76A/76B | 393000K178 | 393000K560 | Port relief valve, PLC053- 80-10 | 11 [10]  |
| 100 | 76A/76B | 393000K179 | 393000K561 | Port relief valve, PLC053-100-10 | 11 [10]  |
| 125 | 76A/76B | 393000K180 | 393000K562 | Port relief valve, PLC053-125-10 | 11 [10]  |
| 140 | 76A/76B | 393000K181 | 393000K563 | Port relief valve, PLC053-140-10 | 11 [10]  |
| 160 | 76A/76B | 393000K182 | 393000K564 | Port relief valve, PLC053-160-10 | 11 [10]  |
| 175 | 76A/76B | 393000K183 | 393000K565 | Port relief valve, PLC053-175-10 | 11 [10]  |
| 190 | 76A/76B | 393000K184 | 393000K566 | Port relief valve, PLC053-190-10 | 11 [10]  |
| 210 | 76A/76B | 393000K185 | 393000K567 | Port relief valve, PLC053-210-10 | 11 [10]  |
| 230 | 76A/76B | 393000K186 | 393000K568 | Port relief valve, PLC053-230-10 | 11 [10]  |
| 240 | 76A/76B | 393000K134 | 398000K249 | Port relief valve, PLC053-240-10 | 11 [10]  |
| 250 | 76A/76B | 393000K187 | 393000K569 | Port relief valve, PLC053-250-10 | 11 [10]  |
| 260 | 76A/76B | 393000K188 | 393000K570 | Port relief valve, PLC053-260-10 | 11 [10]  |
| 270 | 76A/76B | 393000U223 | 393000U225 | Port relief valve, PLC053-270-10 | 11 [10]  |
| 280 | 76A/76B | 393000K189 | 393000K571 | Port relief valve, PLC053-280-10 | 11 [10]  |
| 300 | 76A/76B | 393000K190 | 393000K572 | Port relief valve, PLC053-300-10 | 11 [10]  |
| 320 | 76A/76B | 393000K191 | 393000K573 | Port relief valve, PLC053-320-10 | 11 [10]  |
| 350 | 76A/76B | 393000K192 | 393000K574 | Port relief valve, PLC053-350-10 | 11 [10]  |
| | - | 6760445 | 6760445 | Seal kit PLC053, N2, X2 | 10 (5x) |

| Code | Pos | Part | Description | Remarks / Items |
|---------------------|---------|------------|--------------------------|---------------------------------|
| N2 | 76A/76B | 393000K194 | Check valve | 14 [10] |
| X2 | 76A/76B | 393000K193 | Plug kit, X2 | 15 [10] |
| Y2 | 76A/76B | 393000K195 | Plug kit, Y2 | 7 [8, 9, 10] |
| Y2 | 76A/76B | 393000K818 | Seal kit, Y2 | 8, 9, 10 |
| EA*,EB* | 60 | - | Plug "E" VST11/2EDCF | 12 |
| EA*,EB* | 60 | - | Plug "E" 10HP5ON-S | 12 |
| *T*,*A*, *B*,*C* | 47 | 393000K817 | Supply pressure reducer | 3 [1, 2, 4], 5, 6 |
| | 47 | 393000K831 | Gasket kit | 1, 2, 4 |
| | 47 | 393000K852 | Sealing set | 5, 6 |
| A1B | 81 | 393000K627 | Individual LS connection | 16, 17, 21, 22 |
| A1B2 | 81 | 393000K624 | Individual LS connection | 16, 17, 21, 22, 23, 24 |
| A1B3 | 81 | 393000K196 | Individual LS connection | 16, 17, 21, 22, 23, 24 |
| A2B | 81 | 393000K197 | Individual LS connection | 16, 17, 21, 22 |
| A2B2 | 81 | 393000K198 | Individual LS connection | 16, 17, 21, 22, 23, 24 |
| A2B3 | 81 | 393000K625 | Individual LS connection | 16, 17, 21, 22, 23, 24 |
| AB | 81 | 393000K199 | Individual LS connection | 16, 17 |
| AB2 | 81 | 393000K284 | Individual LS connection | 16, 17, 23, 24 |
| AB3 | 81 | 393000K626 | Individual LS connection | 16, 17, 23, 24 |
| A1B1 | 81 | 393000K271 | Individual LS connection | 16, 17, 21, 23, 24 |
| A3B3 | 81 | 393000K272 | Individual LS connection | 16, 17, 21, 23, 24 |
| A*B* | 81 | 6763303 | Seal kit code pin | 16 (5x) |
| A*B* + G | 81 + 04 | 393000K828 | Plug kit, (BSP) | 19(2x), 20(2x) |
| A*B* + U | 81 + 04 | - | Plug 4HP5ON-S | 19(2x) |
| A*B* + G | 81 + 04 | 6760627 | Adapter 1/8 BSP | 18 (2x/section), 20(2x/section) |
| A*B* + U | 81 + 04 | 6760628 | Adapter 7/16-20 UNF | 18 (2x/section), 20(2x/section) |

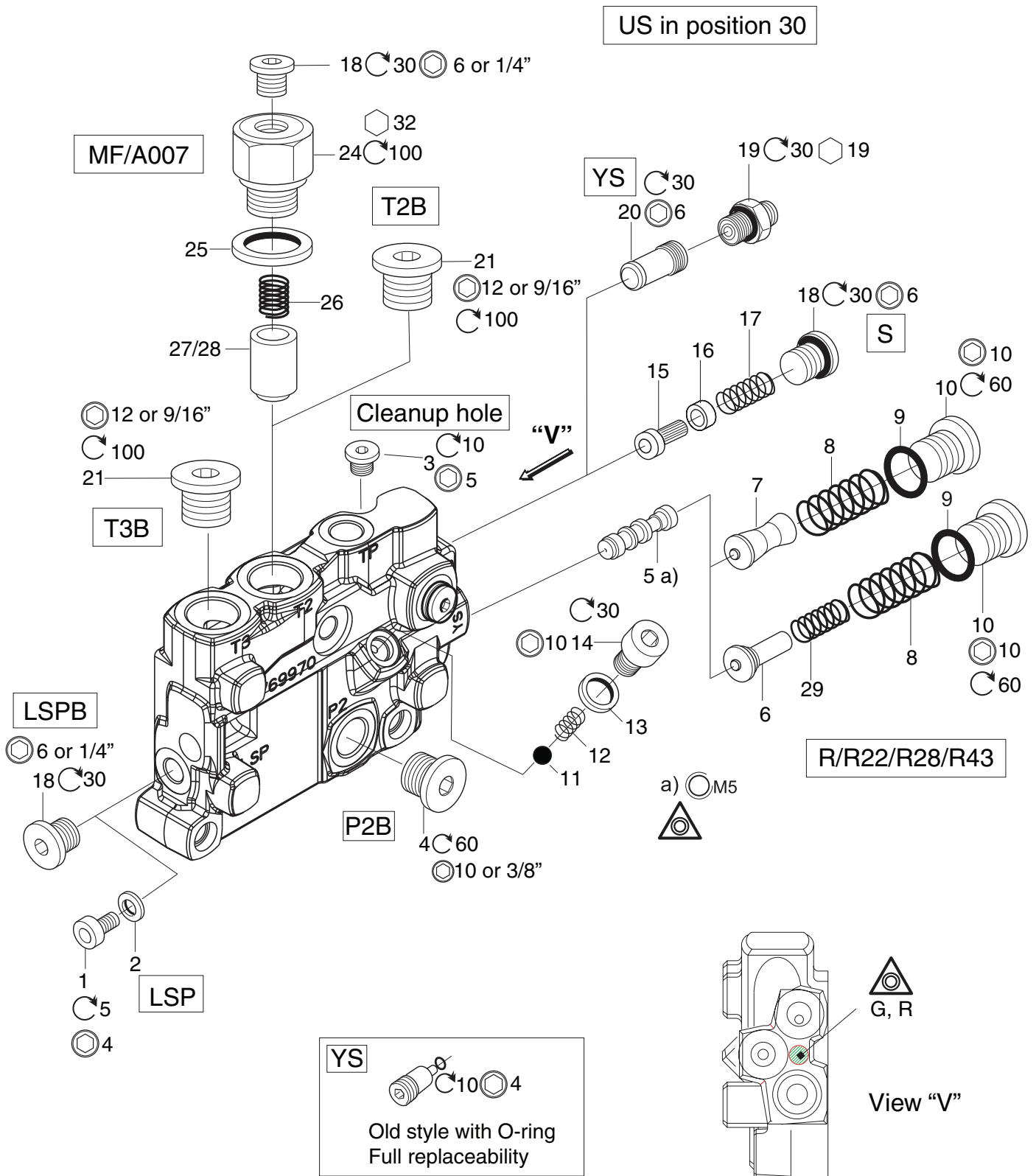
T2B, P2B, PS, LSP, TPX, LSPX

MUxx in position 30



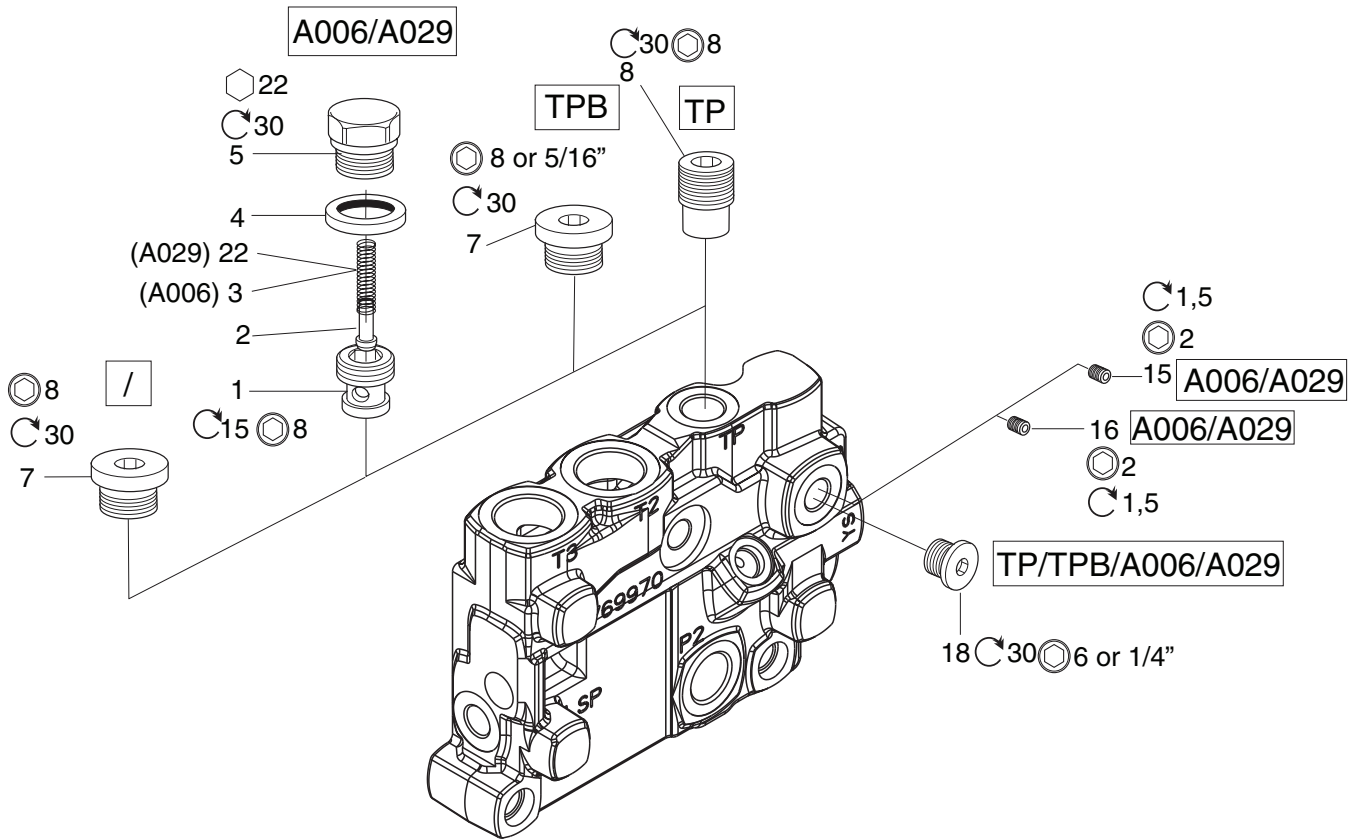
| See Customer Specification | | | | |
|----------------------------|------------|-------------|------------------------------|----------------------------------|
| Code | Pos | Part | Description | Remarks / Items |
| LSP | 31 | 393000K923 | Open LS port | 3, 4 |
| LSP | 31 | - | Nipple 4-6F42EDMLOS | 4 |
| LSPX | 31 | - | Plug VSTI3/8EDCF in LSP port | 8 N.B. Can not be rebuilt to LSP |
| | | | | |
| P2B + G | 32 + 04 | - | Plug VSTI1/2EDCF in P2 port | 9 |
| P2B + U | 32 + 04 | - | Plug 10HP5ON-S in P2 port | 9 |
| | | | | |
| T2B + G | 33 + 04 | - | Plug VSTI3/4EDCF in T2 port | 10 |
| T2B + U | 33 + 04 | - | Plug 12HP5ON-S in T2 port | 10 |
| | | | | |
| PS + G | 37 + 04 | - | Plug VSTI1/4EDCF in PS port | 11 |
| PS + U | 37 + 04 | - | Plug 6HP5ON-S in PS port | 11 |
| | | | | |
| TPX + G | 40 + 04 | - | Plug VSTI3/8EDCF in TP port | 8 |
| TPX + U | 40 + 04 | - | Plug 8HP5ON-S in TP port | 8 |
| | | | | |

LSP, LSPB, P2B, T2B, T3B, MF, R, S, YS, A007



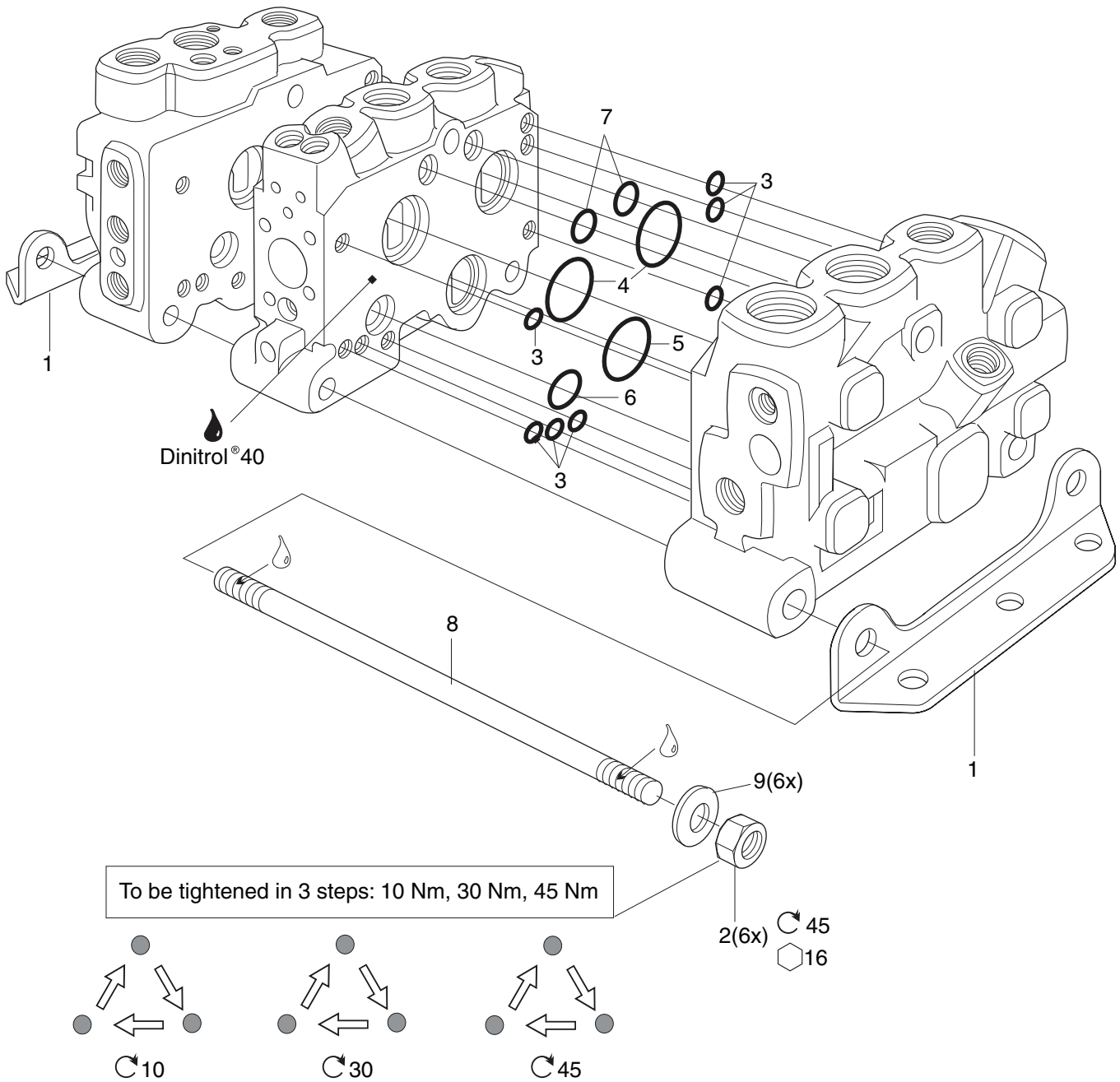
| See Customer Specification | | | | |
|----------------------------|------------|------------|--|-------------------------------------|
| Code | Pos | Part | Description | Remarks / Items |
| LSP | 31 | 393000K055 | LS port open | 1, 2 |
| LSPB + G | 31 + 04 | - | Plug VST11/4EDCF | 18 |
| LSPB + U | 31 + 04 | - | Plug 6HP5ON-S | 18 |
| P2B + G | 32 + 04 | - | Plug VST11/2EDCF | 4 |
| P2B + U | 32 + 04 | - | Plug 10HP5ON-S | 4 |
| T2B, T3B + G | 33/34 + 04 | - | Plug VST13/4EDCF | 21 |
| T2B, T3B + U | 33/34 + 04 | - | Plug 12HP5ON-S | 21 |
| MF + G | 33 + 04 | 393000K067 | Counter press. valve, (BSP) | 18, 24, 25, 26, 27 |
| MF + U | 33 + 04 | 393000K068 | Counter press. valve, (UNF) | 18, 24, 25, 26, 27 |
| A007 + G | 33 + 04 | 393000K602 | (MF with drainage, BSP) | 18, 24, 25, 26, 28 |
| A007 + U | 33 + 04 | 393000K603 | (MF with drainage, UNF) | 18, 24, 25, 26, 28 |
| MF, A007 + G | 33 + 04 | - | Plug VST11/4EDCF | 18 |
| MF, A007 + U | 33 + 04 | - | Plug 6HP5ON-S | 18 |
| R | 37 | 393000K073 | Pilot supply reducer, size Green, 35 bar | 5, 7, 8, 10 [9], 11, 12, 13, 14 |
| R | 37 | 393000K473 | Pilot supply reducer, size Red, 35 bar | 5, 7, 8, 10 [9], 11, 12, 13, 14 |
| R22 | 37 | 393000K537 | Pilot supply reducer, size Green, 22 bar | 5, 7, 8, 10 [9], 11, 12, 13, 14 |
| R22 | 37 | 393000K538 | Pilot supply reducer, size Red, 22 bar | 5, 7, 8, 10 [9], 11, 12, 13, 14 |
| R28 | 37 | 6760505 | Pilot supply reducer, size Green, 28 bar | 5, 7, 8, 10 [9], 11, 12, 13, 14 |
| R28 | 37 | 6760504 | Pilot supply reducer, size Red, 28 bar | 5, 7, 8, 10 [9], 11, 12, 13, 14 |
| R43 | 37 | 393000U150 | Pilot supply reducer size Green, 43 bar | 5, 6, 8, 10 [9], 11, 12, 13, 14, 29 |
| R43 | 37 | 9120092251 | Pilot supply reducer, size Red, 43 bar | 5, 6, 8, 10 [9], 11, 12, 13, 14, 29 |
| R, R22, R28, R43 | 37 | 398000K061 | Plug (O-ring) 1/2", BSP | 10 [9] |
| S | 39 | 393000K074 | Internal pilot supply strainer | 15, 16, 17, 18 |
| S | 39 | - | Plug VST11/4EDCF | 18 |
| YS + G | 39 + 04 | 393000K075 | Connection for external strainer, (BSP) | 20 |
| YS + U | 39 + 04 | 393000K076 | Connection for external strainer, (UNF) | 19, 20 |
| YS + U | 39 + 04 | - | Nipple 6F4OMXS | 19 |
| | | - | Plug VST11/8EDCF | 3 |

TP, TPB, A006 and A029







| See Customer Specification | | | | |
|----------------------------|---------|------------|---------------------------------------|-----------------------|
| Code | Pos | Part | Description | Remarks / Items |
| TP + G | 40 + 04 | 393000K077 | External T, pilot drain, (BSP) | 8, 18 |
| TP + U | 40 + 04 | 393000K078 | External T, pilot drain, (UNF) | 8, 18 |
| | | | | |
| TP, A006, A029 + G | 40 + 04 | - | Plug VSTI1/4EDCF | 18 |
| TP, A006, A029 + U | 40 + 04 | - | Plug 6HP5ON-S | 18 |
| | | | | |
| TPB + G | 40 + 04 | - | Plug VSTI3/8EDCF | 7 |
| TPB + U | 40 + 04 | - | Plug 8HP5ON-S | 7 |
| | | | | |
| A006, A029 + G | 40 + 04 | 393000K919 | TPB with conn. via check valve, (BSP) | 1, 2, 3, 4, 5, 18, 22 |
| A006, A029 + U | 40 + 04 | 6760131 | TPB with conn. via check valve, (UNF) | 1, 2, 3, 4, 5, 18, 22 |
| A006, A029 | 40 | 6760093 | Orifice 0.45 (REA, REN) | 15 |
| A006, A029 | 40 | - | Screw P6SS, M4x5 (ISO 4026) | 16 |
| | | | | |
| / + G, U | 40+ 04 | - | Plug VSTI3/8EDCF | 7 |
| | | | | |

Tie rod kits, Bracket kits, Intersection seal kit, A033



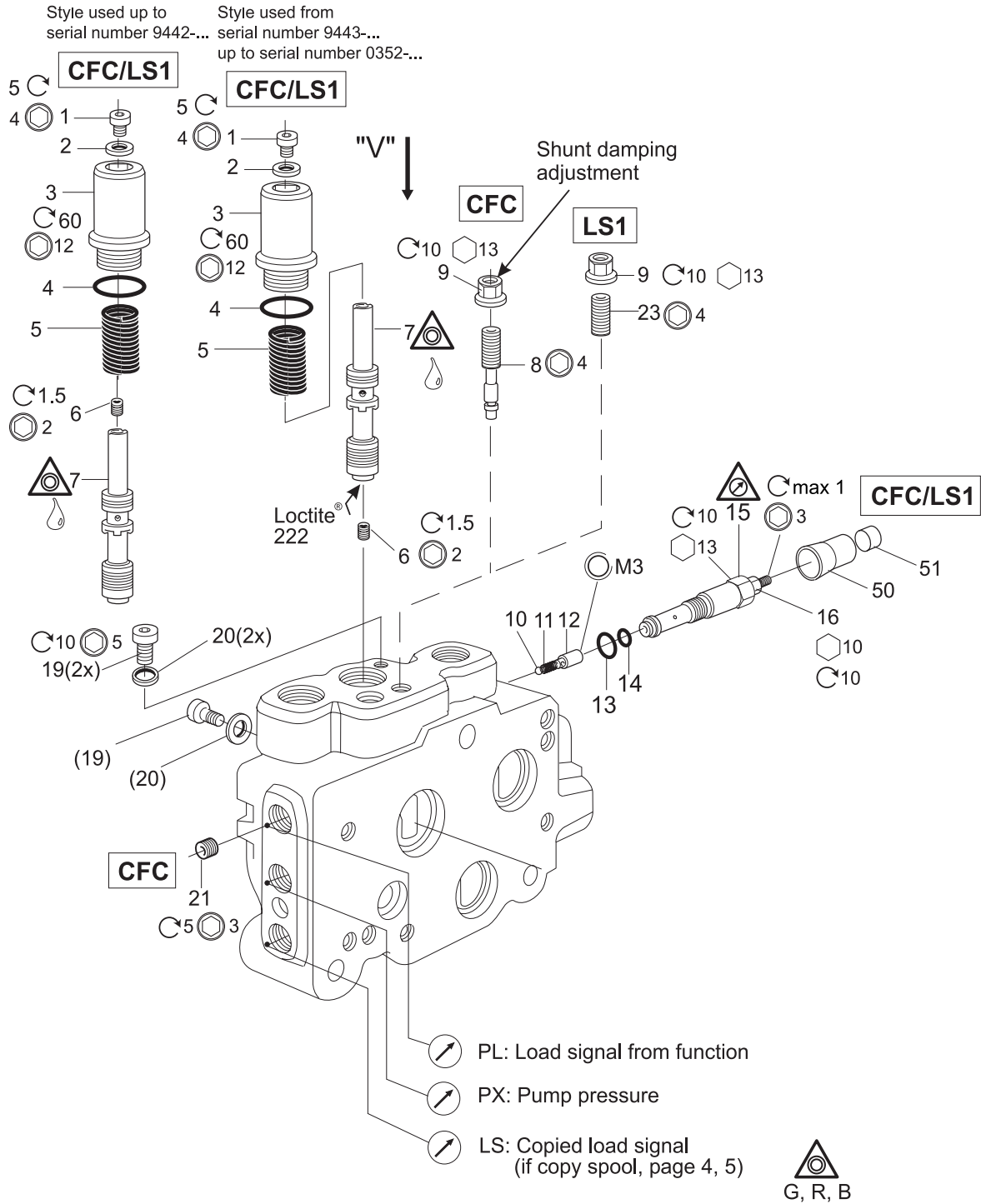
| See Customer Specification | | 1) Standard L90LS (CFC/LS + US) | | |
|--|---------|---------------------------------|--|---------------------------|
| Code | Pos | Part | Description | Remarks / Items |
| Brackets | | 393000K824 | Bracket kit | 1(2x), 2(6x), 9(6x) |
| A033 | 08E | 6760262 | Reinforced Bracket kit A033 | 1, 2(3x), 9(3x) |
| | | 393000K926 | Nuts kit | 2(6x), 9(6x) |
| | | | | |
| | | 6760303 | Intersection seal kit | 3(7x), 4(2x), 5, 6, 7(2x) |
| | | | | |
| Tie rods | 15 + 30 | 393000K001 | Tie rod kit, 1 section valve, 170 mm | 2(6x), 8(3x), 9(6x) |
| Tie rods | 15 + 30 | 393000K002 | Tie rod kit, 2 sections valve, 210 mm | 2(6x), 8(3x), 9(6x) |
| Tie rods | 15 + 30 | 393000K003 | Tie rod kit, 3 sections valve, 250 mm | 2(6x), 8(3x), 9(6x) |
| Tie rods | 15 + 30 | 393000K004 | Tie rod kit, 4 sections valve, 290 mm | 2(6x), 8(3x), 9(6x) |
| Tie rods | 15 + 30 | 393000K005 | Tie rod kit, 5 sections valve, 331 mm | 2(6x), 8(3x), 9(6x) |
| Tie rods | 15 + 30 | 393000K006 | Tie rod kit, 6 sections valve, 371 mm | 2(6x), 8(3x), 9(6x) |
| Tie rods | 15 + 30 | 393000K007 | Tie rod kit, 7 sections valve, 411 mm | 2(6x), 8(3x), 9(6x) |
| Tie rods | 15 + 30 | 393000K008 | Tie rod kit, 8 sections valve, 451 mm | 2(6x), 8(3x), 9(6x) |
| Tie rods | 15 + 30 | 393000K009 | Tie rod kit, 9 sections valve, 492 mm | 2(6x), 8(3x), 9(6x) |
| Tie rods | 15 + 30 | 393000K010 | Tie rod kit, 10 sections valve, 532 mm | 2(6x), 8(3x), 9(6x) |
| Tie rods | 15 + 30 | 393000K729 | Tie rod kit, 11 sections valve, 573 mm | 2(6x), 8(3x), 9(6x) |
| Tie rods | 15 + 30 | 393000K730 | Tie rod kit, 12 sections valve, 614 mm | 2(6x), 8(3x), 9(6x) |
| 2) Standard L90LS (CFC/LS + MU); also L90LS (IP + US) | | | | |
| Tie rods | 15 + 30 | 6760315 | Tie rod kit, 1 section valve, 146 mm | 2(6x), 8(3x), 9(6x) |
| Tie rods | 15 + 30 | 6763228 | Tie rod kit, 2 sections valve, 186 mm | 2(6x), 8(3x), 9(6x) |
| Tie rods | 15 + 30 | 6760380 | Tie rod kit, 3 sections valve, 226 mm | 2(6x), 8(3x), 9(6x) |
| Tie rods | 15 + 30 | 6763229 | Tie rod kit, 4 sections valve, 266 mm | 2(6x), 8(3x), 9(6x) |
| Tie rods | 15 + 30 | 6763230 | Tie rod kit, 5 sections valve, 307 mm | 2(6x), 8(3x), 9(6x) |
| Tie rods | 15 + 30 | 6763341 | Tie rod kit, 6 sections valve, 347 mm | 2(6x), 8(3x), 9(6x) |
| Tie rods | 15 + 30 | 6763342 | Tie rod kit, 7 sections valve, 387 mm | 2(6x), 8(3x), 9(6x) |
| Tie rods | 15 + 30 | 6763343 | Tie rod kit, 8 sections valve, 427 mm | 2(6x), 8(3x), 9(6x) |
| Tie rods | 15 + 30 | 6763344 | Tie rod kit, 9 sections valve, 468 mm | 2(6x), 8(3x), 9(6x) |
| Tie rods | 15 + 30 | 6763345 | Tie rod kit, 10 sections valve, 508 mm | 2(6x), 8(3x), 9(6x) |
| Tie rods | 15 + 30 | 6763346 | Tie rod kit, 11 sections valve, 544 mm | 2(6x), 8(3x), 9(6x) |
| Tie rods | 15 + 30 | 393000K765 | Tie rod kit, 12 sections valve, 585 mm | 2(6x), 8(3x), 9(6x) |
| 3) L90LS (IP + MU) | | | | |
| Tie rods | 15 + 30 | 6763347 | Tie rod kit, 1 section valve, 120 mm | 2(6x), 8(3x), 9(6x) |
| Tie rods | 15 + 30 | 6760423 | Tie rod kit, 2 sections valve, 160 mm | 2(6x), 8(3x), 9(6x) |
| Tie rods | 15 + 30 | 6760424 | Tie rod kit, 3 sections valve, 200 mm | 2(6x), 8(3x), 9(6x) |
| Tie rods | 15 + 30 | 6760425 | Tie rod kit, 4 sections valve, 240 mm | 2(6x), 8(3x), 9(6x) |
| Tie rods | 15 + 30 | 6760426 | Tie rod kit, 5 sections valve, 280 mm | 2(6x), 8(3x), 9(6x) |
| Tie rods | 15 + 30 | 6760427 | Tie rod kit, 6 sections valve, 320 mm | 2(6x), 8(3x), 9(6x) |
| Tie rods | 15 + 30 | 6760428 | Tie rod kit, 7 sections valve, 360 mm | 2(6x), 8(3x), 9(6x) |
| Tie rods | 15 + 30 | 6763348 | Tie rod kit, 8 sections valve, 400 mm | 2(6x), 8(3x), 9(6x) |
| Tie rods | 15 + 30 | 6763349 | Tie rod kit, 9 sections valve, 440 mm | 2(6x), 8(3x), 9(6x) |
| Tie rods | 15 + 30 | 6763350 | Tie rod kit, 10 sections valve, 480 mm | 2(6x), 8(3x), 9(6x) |
| Tie rods | 15 + 30 | 6763351 | Tie rod kit, 11 sections valve, 520 mm | 2(6x), 8(3x), 9(6x) |
| Tie rods | 15 + 30 | 6763352 | Tie rod kit, 12 sections valve, 560 mm | 2(6x), 8(3x), 9(6x) |
| 4) L90LS (Combine inlet + US) | | | | (See page 44) |

| See Customer Specification | | 4) L90LS (Combine inlet + US) | | |
|-------------------------------|---------|-------------------------------|--|---------------------|
| Code | Pos | Part | Description | Remarks / Items |
| Tie rods | 15 + 30 | 393000U577 | Tie rod kit, 1 section valve, 120 mm | 2(3x), 8(3x), 9(3x) |
| Tie rods | 15 + 30 | 393000U835 | Tie rod kit, 2 sections valve, 160 mm | 2(3x), 8(3x), 9(3x) |
| Tie rods | 15 + 30 | 393000U836 | Tie rod kit, 3 sections valve, 200 mm | 2(3x), 8(3x), 9(3x) |
| Tie rods | 15 + 30 | 393000U837 | Tie rod kit, 4 sections valve, 240 mm | 2(3x), 8(3x), 9(3x) |
| Tie rods | 15 + 30 | 393000U838 | Tie rod kit, 5 sections valve, 280 mm | 2(3x), 8(3x), 9(3x) |
| Tie rods | 15 + 30 | 393000U839 | Tie rod kit, 6 sections valve, 320 mm | 2(3x), 8(3x), 9(3x) |
| Tie rods | 15 + 30 | 393000U840 | Tie rod kit, 7 sections valve, 360 mm | 2(3x), 8(3x), 9(3x) |
| Tie rods | 15 + 30 | 393000U841 | Tie rod kit, 8 sections valve, 400 mm | 2(3x), 8(3x), 9(3x) |
| Tie rods | 15 + 30 | 393000U842 | Tie rod kit, 9 sections valve, 440 mm | 2(3x), 8(3x), 9(3x) |
| Tie rods | 15 + 30 | 393000U843 | Tie rod kit, 10 sections valve, 480 mm | 2(3x), 8(3x), 9(3x) |
| Tie rods | 15 + 30 | 393000U402 | Tie rod kit, 11 sections valve, 520 mm | 2(3x), 8(3x), 9(3x) |
| Tie rods | 15 + 30 | 393000U403 | Tie rod kit, 12 sections valve, 560 mm | 2(3x), 8(3x), 9(3x) |
| 5) L90LS (Combine inlet + MU) | | | | |
| Tie rods | 15 + 30 | 393000U537 | Tie rod kit, 1 section valve, 105 mm | 2(3x), 8(3x), 9(3x) |
| Tie rods | 15 + 30 | 393000K941 | Tie rod kit, 2 sections valve, 146 mm | 2(3x), 8(3x), 9(3x) |
| Tie rods | 15 + 30 | 393000K942 | Tie rod kit, 3 sections valve, 186 mm | 2(3x), 8(3x), 9(3x) |
| Tie rods | 15 + 30 | 393000U226 | Tie rod kit, 4 sections valve, 226 mm | 2(3x), 8(3x), 9(3x) |
| Tie rods | 15 + 30 | 393000K944 | Tie rod kit, 5 sections valve, 266 mm | 2(3x), 8(3x), 9(3x) |
| Tie rods | 15 + 30 | 393000K945 | Tie rod kit, 6 sections valve, 307 mm | 2(3x), 8(3x), 9(3x) |
| Tie rods | 15 + 30 | 393000K946 | Tie rod kit, 7 sections valve, 347 mm | 2(3x), 8(3x), 9(3x) |
| Tie rods | 15 + 30 | 393000K947 | Tie rod kit, 8 sections valve, 387 mm | 2(3x), 8(3x), 9(3x) |
| Tie rods | 15 + 30 | 393000K948 | Tie rod kit, 9 sections valve, 427 mm | 2(3x), 8(3x), 9(3x) |
| Tie rods | 15 + 30 | 393000K950 | Tie rod kit, 10 sections valve, 468 mm | 2(3x), 8(3x), 9(3x) |
| Tie rods | 15 + 30 | 393000K951 | Tie rod kit, 11 sections valve, 508 mm | 2(3x), 8(3x), 9(3x) |
| Tie rods | 15 + 30 | 393000K952 | Tie rod kit, 12 sections valve, 544 mm | 2(3x), 8(3x), 9(3x) |
| | | | | |
| Brackets | | 393000K954 | Bracket, washers, nuts | 1, 2(3x), 9(3x) |
| | | 6760686 | Nuts kit | 2(3x), 9(3x) |

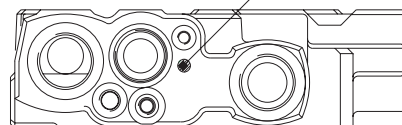
| Symbol | Description |
|---|--|
|  | <p>For optimum function, the radial clearance between spool and spool bore must be correct. Spools are therefore colour-coded to identify sizes. We recommend that the whole valve/section is changed if the spool has to be replaced (valve housings cannot be purchased as spares, so if a new one is required a new valve or complete section should be ordered). If the spool has to be changed, it is extremely important that the new spool is the right size.</p> <p>If the spool is too large, it will not work properly even if it appears to function perfectly on assembly, and if the spool is too small, function will also be adversely affected. Spools that are classified by size are marked in the list with .</p> <p>The colour-marking of the spool may disappear after a time, so, unless otherwise stated, the housing is marked with a letter to indicate the respective colour as follows: B for Blue, G for Green, R for Red.</p> |
|  | <p>Changing the settings, replacing the preset pressure relief valve or breaking the seal must only be done in accordance with the manufacturer's instructions. Other settings may seriously damage the machine and other assets, and may cause personal injury. Note that a value contained in the customer specification manual does not apply if the manufacturer changed the settings at installation. Always contact the manufacturer's service organisation before servicing items marked with .</p> |

CFC/LS1/LS2

Style used up to serial number 0352-...



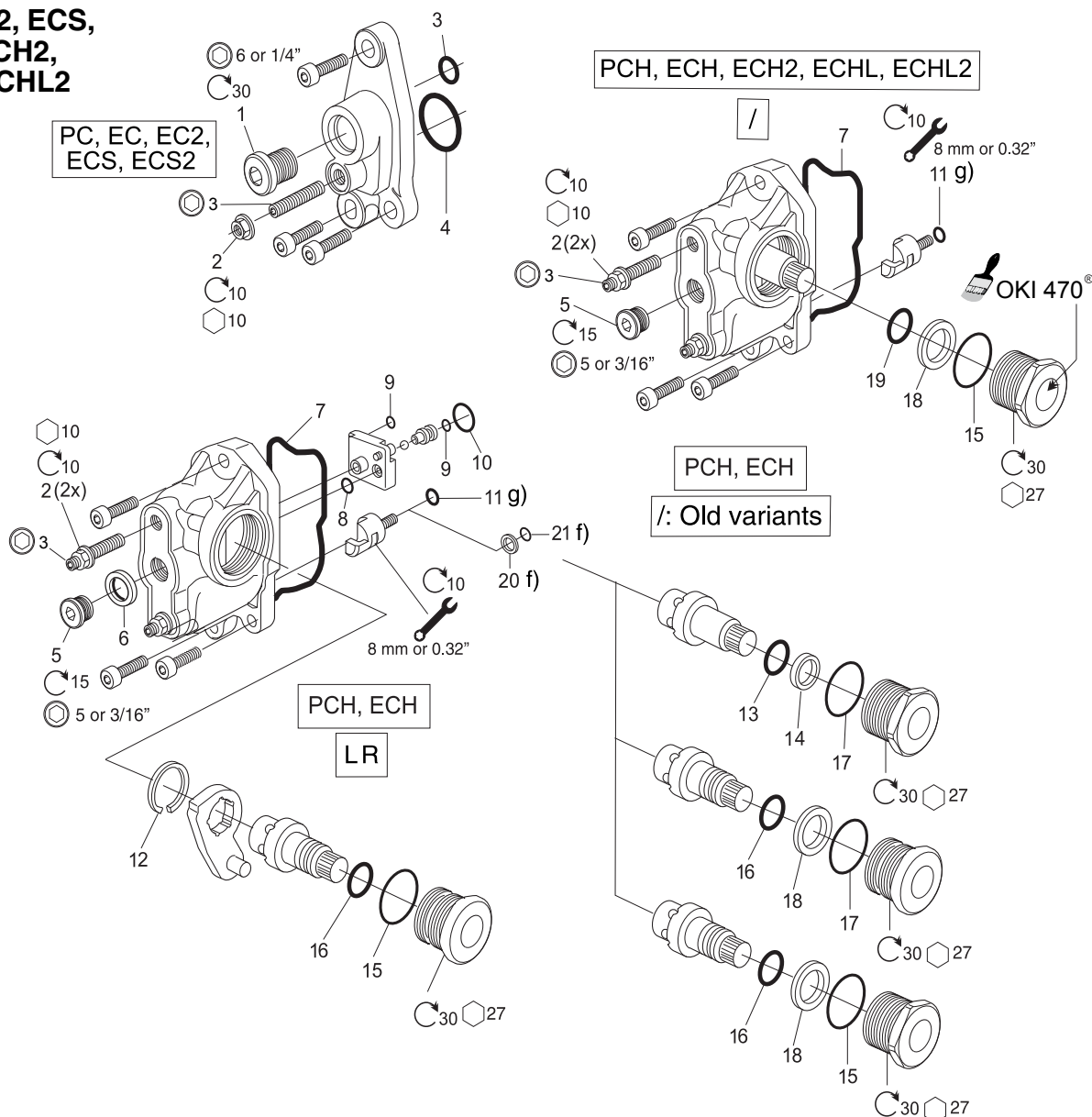
View "V"



For all other parts, please see Inlet section

| See Customer Specification | | | | |
|----------------------------|---------|------------|-------------------------------|---|
| Code | Pos | Part | Description | Remarks / Items |
| CFC + PS | 15 + 16 | 393000K245 | Main relief valve, size Blue | 3 [1, 2, 4], 5, 6 (Plug M4), 7, 8, 9, 10, 11, 12, 15 [13, 14, 16], 21 (Restrictor M6 \varnothing 1.0), 50, 51 |
| CFC + PS | 15 + 16 | 393000K445 | Main relief valve, size Green | |
| CFC + PS | 15 + 16 | 393000K645 | Main relief valve, size Red | |
| LS1 + PS | 15 + 16 | 393000K246 | Main relief valve, size Blue | 3 [1, 2, 4], 5, 6 (Restrictor M4 \varnothing 1.0), 7, 9, 15 [13, 14], 21 (Plug M6), 23, 50, 51 |
| LS1 + PS | 15 + 16 | 393000K446 | Main relief valve, size Green | |
| LS1 + PS | 15 + 16 | 393000K646 | Main relief valve, size Red | |
| CFC, LS1 | 15 | 398000K069 | PLD03 | 15 [13, 14] |
| CFC, LS1 | 15 | 393000K831 | Seal kit | 13, 14 |
| / | - | 6760017 | Plug kit M6x10 | 19(2x), 20(2x) |
| / | - | 6760222 | Plug kit M6x10 | 19(5x), 20(5x) |
| | | 393000K801 | Seal kit PS, LS1/LS2 | 2, 4, 9, 13, 14, 16, 20(3x) |
| | | 393000K852 | Sealing set | 50, 51 |

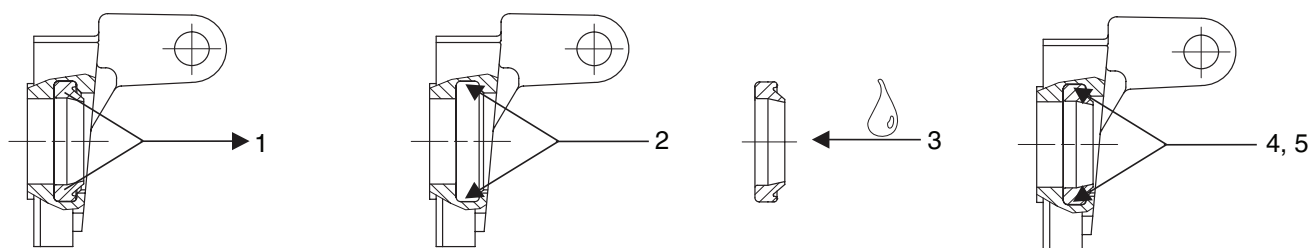
* Also EC2, ECS, ECS2, ECH2, ECHL, ECHL2



| See Customer Specification | | | | |
|----------------------------|---------|---------|--------------------------|--|
| Code | Pos | Part | Description | Remarks / Items |
| PC, EC | 50 | 6760774 | Seal kit, BSP | 1, 2, 3, 4 Also EC2, ECS, ECS2 |
| PC, EC | 50 | 6760685 | Seal kit, UNF | 1, 2, 3, 4 Also EC2, ECS, ECS2 |
| PCH, ECH + / | 50 + 52 | 6760775 | Seal kit, BSP | 2(2x), 5, 7, 11, 15, 18, 19 Also ECH2, ECHL, ECHL2 i) |
| PCH, ECH + / | 50 + 52 | 6760625 | Seal kit, UNF | 2(2x), 5, 7, 11, 15, 18, 19 Also ECH2, ECHL, ECHL2 i) |
| PCH, ECH + LR | 50 + 52 | 6760809 | Seal kit, BSP, UNF | 2(2x), 6, 7, 8, 9(2x), 10, 11, 12, 15, 16, 20, 21 h) |
| PCH, ECH + / | 50 + 52 | 6760810 | Seal kit, BSP, UNF | 2(2x), 6, 7, 8, 9(2x), 10, 11, 12, 13, 14, 15, 16, 17, 18, 20, 21 h) |
| PCH, ECH + / | 50 + 52 | 6760812 | Seal kit | 13, 14, 15, 16, 17, 18 h) |
| PCH, ECH | 50 | 6760794 | Seal kit, old spool hook | 20(5x), 21(5x) f) |
| PCH, ECH | 50 | 6760193 | Seal kit | 17 (5x) h) |

f) Up to serial number 0209...; g) From serial number 0208...; h) Up to serial number 0212...; i) From serial number 0301...

Removal and mounting of scraper ring



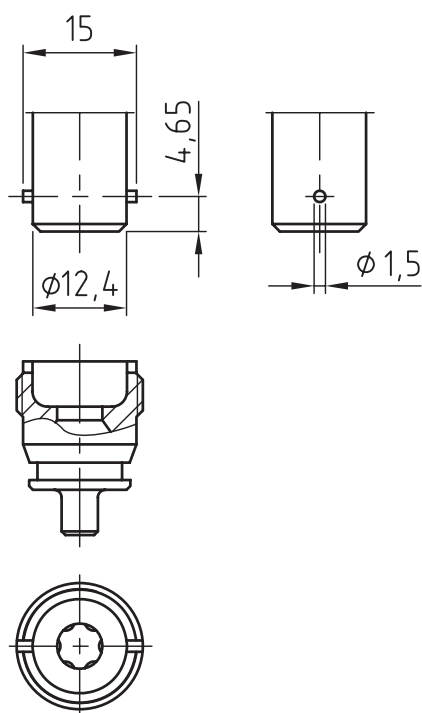
1. Remove carefully the old scraper ring (not spring loaded) to avoid damaging of the lever bracket. Use as tool a screwdriver, a nippers or a small hook.

2. Clear scraper ring groove and make sure there are no color or paint flakes remaining in the track.

3 The scraper ring with associated surfaces in the lever bracket must be oiled.

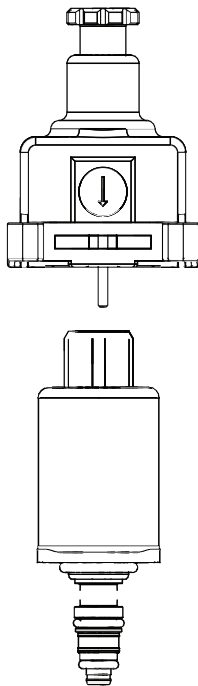
4. Push the new scraper ring in the lever brackets track.

Tool for seat PLM



Manual override may not be used without knowledge of functionality.

CAUTION: No proportional function



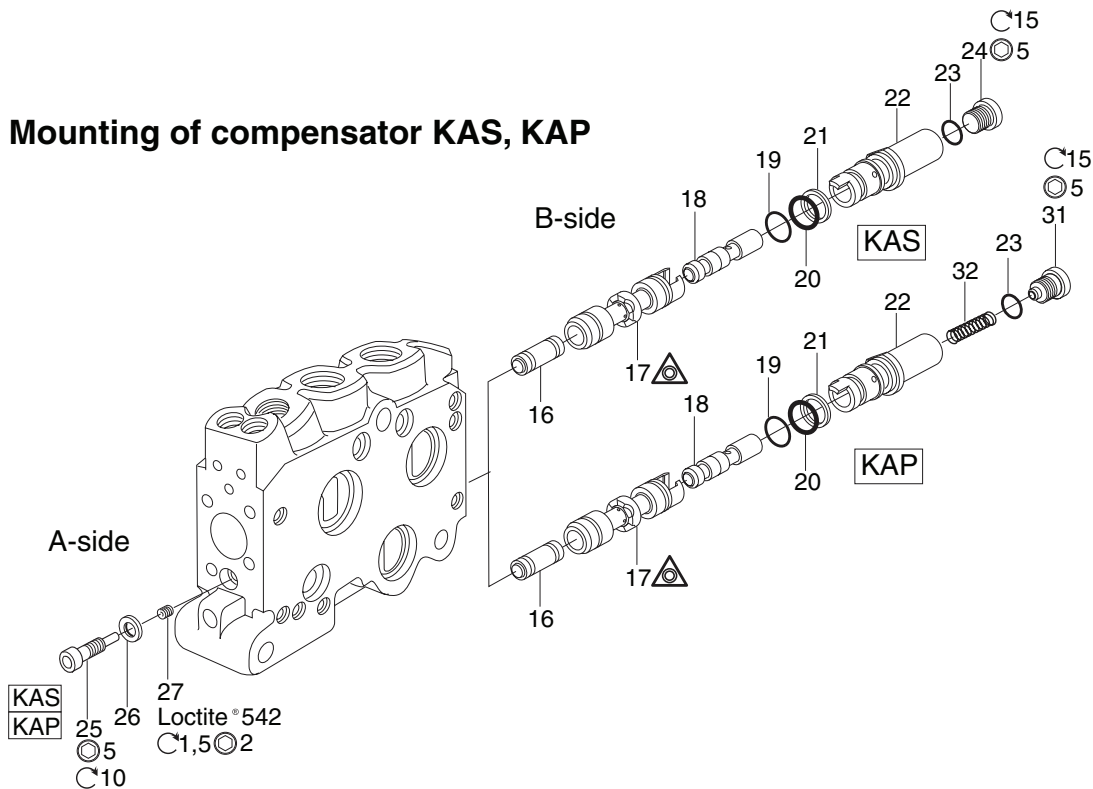
1. A special tool must be used to engage the manual override function of the solenoid! Use of other tools to attempt to engage or disengage the manual override may not work or may not work when intended.
2. When using the manual override function, the solenoid has only on-off functionality and doesn't operate proportionally as usual. This means, for example, that the solenoid may operate much faster than usual and the unexpected speed could cause crushing or other injuries.
3. When using the manual override be certain that all operations of the application, regardless of speed, will not endanger persons or property nearby.
4. As always, consult the operations manual for all specifications and functions of the valve. If there are questions contact MCDE.

The PS25MO is equipped with a manual override pin in the connector. To actuate the PS25MO a specific tool is needed since the tolerances of the pin is so small that it can be damaged or the pin sticks in actuated position.

Please notify that it's for fault searching only and shall be used as rarely as possible with common sense in mind. If manual override is used humans can be exposed for very dangerous situations. Please read the legal limits before using the manual override.

Part number for override tool: 6763001.

Mounting of compensator KAS, KAP



KAS, B-side

1. Mount the compensator piston 16 in the compensator spool 17.
2. Hook up piston 18 in the compensator spool 17.
3. Mount the sleeve 22 on the piston 18. Sleeve 22 is assemblies with 2 pcs different O-rings 19, 20 and support ring 21.
4. Mount the preassembled compensator spool in the control section.
5. Reassemble the PC/EC cover.
6. Mount the O-ring 23 on the plug 24 (G1/8").
7. Mount the plug 24 of the sleeve 22 which protrudes through the PC/EC cover.

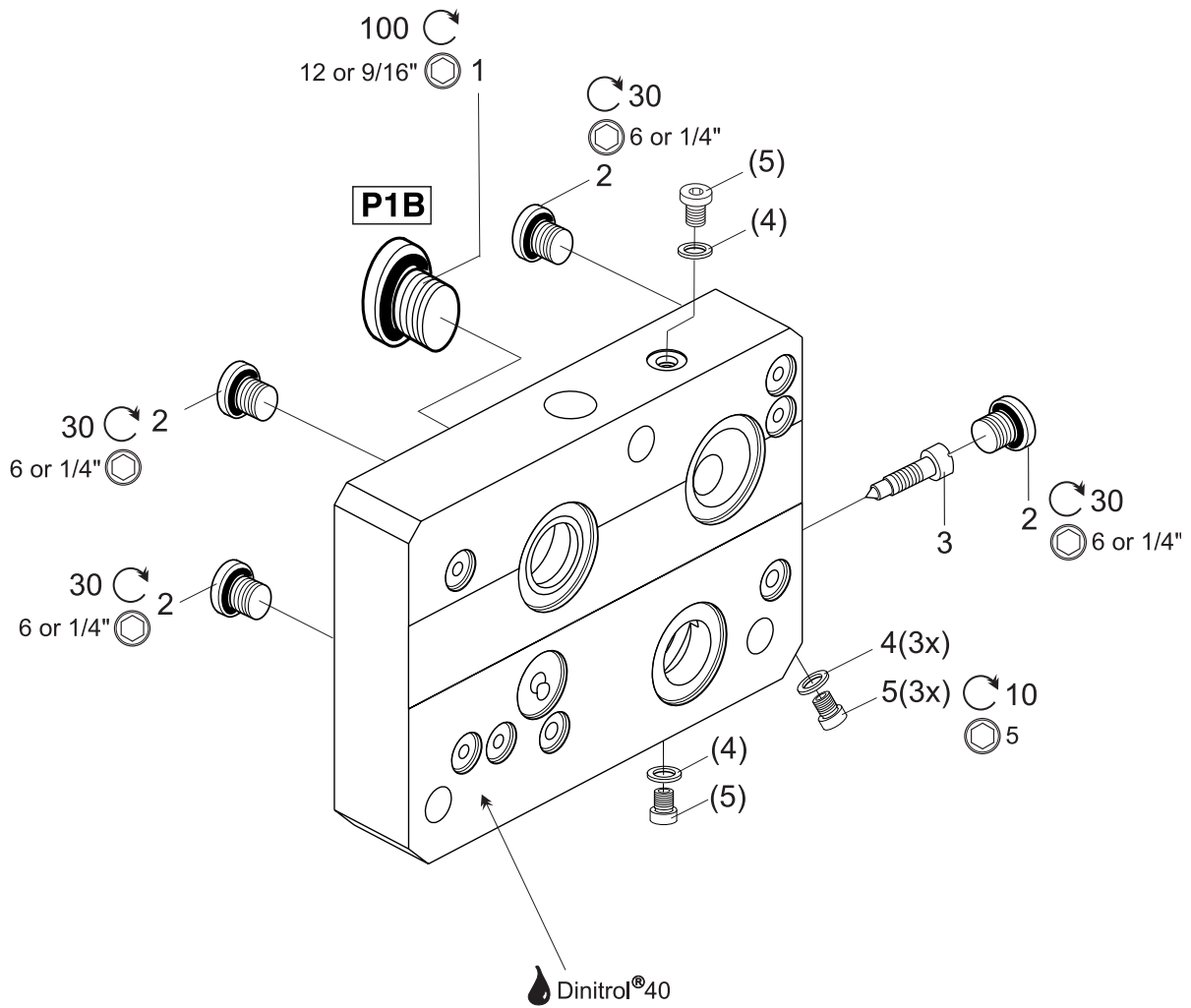
KAP, B-side

- 1, 2, 3, 4 and 5. Repeat the same operation as for KAS compensator, B-side.
6. Mount the O-ring 23 on the plug with pin 31 (G1/8").
7. Mount the spring 32 and plug 31 of the sleeve 22 which protrudes through the PC/EC cover.

KAS, KAP, A-side

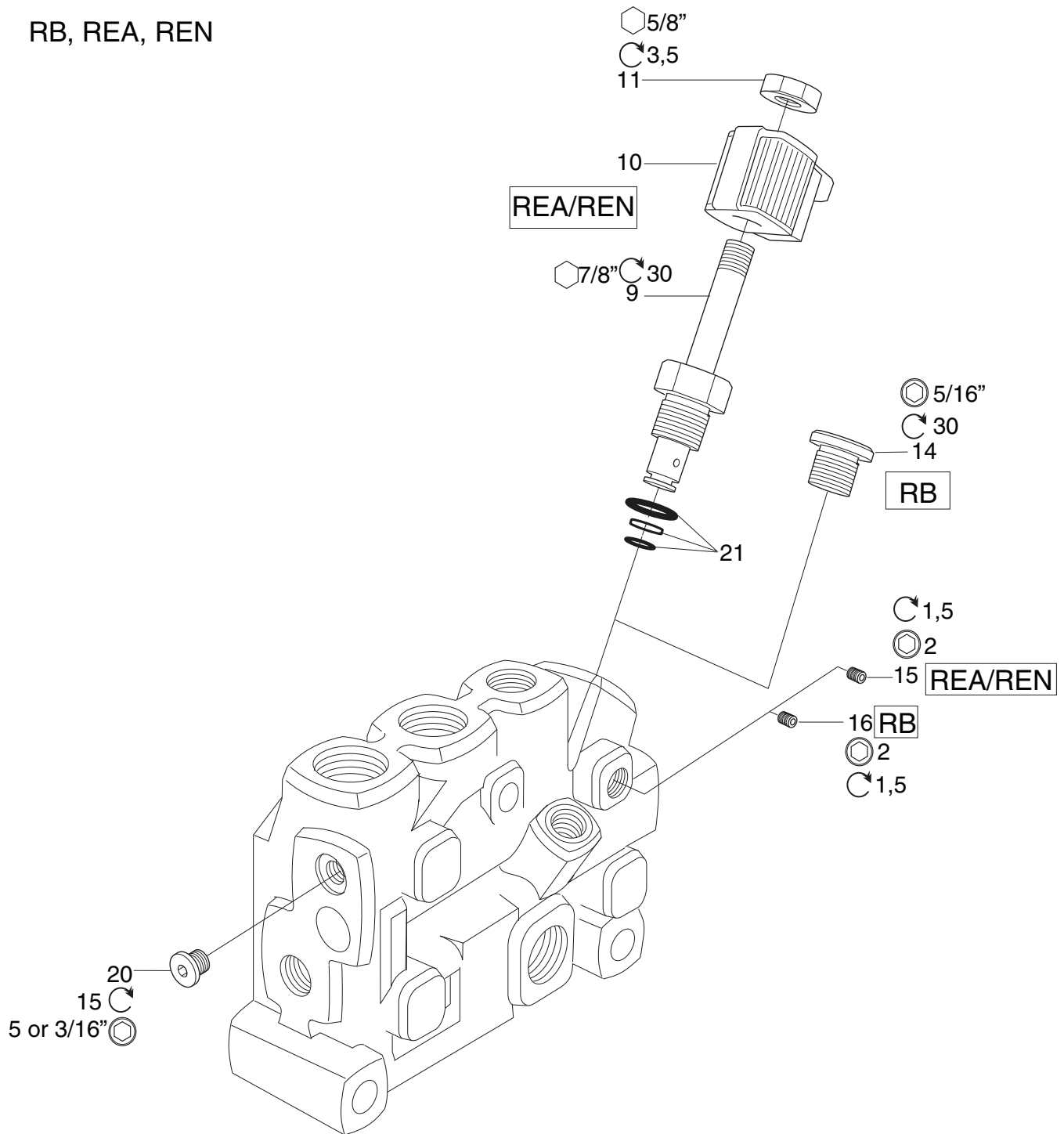
1. Mount restrictor 27 acc. to customer specification pos 67. Use locking adhesive such as Loctite 542.
2. Mount screw with pin 25 and washer 26.

A030



Spare Parts Not available!

RB, REA, REN



| Manifold | Description | Remarks / Items |
|----------|--|--|
| M10 | System function manifold for cranes. | See "Spare Parts List Series L90LS Appendix E: Manifolds" |
| M11 | System function manifold for cranes. As functional as M10, but with 2 levels main pressure relief valve. | |
| M12 | Trim manifold. | |
| M13 | Manifold for regenerative function and the built-in over center valves. | |
| M13B | As M13, but with greater capacity ("B"). | |
| M14 | Pressure control manifold, 1 section. | |
| M15 | Pump-sharing manifold. | |
| M16 | Pressure control manifold, 2 sections. | |
| M17 | Drainage manifold. | |
| A215 | Midinlet. | |
| | | |
| | | |

Parker Worldwide

Europe, Middle East, Africa

AE – United Arab Emirates, Dubai

Tel: +971 4 8127100
parker.me@parker.com

AT – Austria, Wiener Neustadt

Tel: +43 (0)2622 23501-0
parker.austria@parker.com

AT – Eastern Europe, Wiener Neustadt

Tel: +43 (0)2622 23501 900
parker.easteurope@parker.com

AZ – Azerbaijan, Baku

Tel: +994 50 22 33 458
parker.azerbaijan@parker.com

BE/LU – Belgium, Nivelles

Tel: +32 (0)67 280 900
parker.belgium@parker.com

BG – Bulgaria, Sofia

Tel: +359 2 980 1344
parker.bulgaria@parker.com

BY – Belarus, Minsk

Tel: +48 (0)22 573 24 00
parker.poland@parker.com

CH – Switzerland, Etoy

Tel: +41 (0)21 821 87 00
parker.switzerland@parker.com

CZ – Czech Republic, Klecany

Tel: +420 284 083 111
parker.czechrepublic@parker.com

DE – Germany, Kaarst

Tel: +49 (0)2131 4016 0
parker.germany@parker.com

DK – Denmark, Ballerup

Tel: +45 43 56 04 00
parker.denmark@parker.com

ES – Spain, Madrid

Tel: +34 902 330 001
parker.spain@parker.com

FI – Finland, Vantaa

Tel: +358 (0)20 753 2500
parker.finland@parker.com

FR – France, Contamine s/Arve

Tel: +33 (0)4 50 25 80 25
parker.france@parker.com

GR – Greece, Athens

Tel: +30 210 933 6450
parker.greece@parker.com

HU – Hungary, Budaoers

Tel: +36 23 885 470
parker.hungary@parker.com

IE – Ireland, Dublin

Tel: +353 (0)1 466 6370
parker.ireland@parker.com

IT – Italy, Corsico (MI)

Tel: +39 02 45 19 21
parker.italy@parker.com

KZ – Kazakhstan, Almaty

Tel: +7 7273 561 000
parker.easteurope@parker.com

NL – The Netherlands, Oldenzaal

Tel: +31 (0)541 585 000
parker.nl@parker.com

NO – Norway, Asker

Tel: +47 66 75 34 00
parker.norway@parker.com

PL – Poland, Warsaw

Tel: +48 (0)22 573 24 00
parker.poland@parker.com

PT – Portugal, Leca da Palmeira

Tel: +351 22 999 7360
parker.portugal@parker.com

RO – Romania, Bucharest

Tel: +40 21 252 1382
parker.romania@parker.com

RU – Russia, Moscow

Tel: +7 495 645-2156
parker.russia@parker.com

SE – Sweden, Spånga

Tel: +46 (0)8 59 79 50 00
parker.sweden@parker.com

SK – Slovakia, Banská Bystrica

Tel: +421 484 162 252
parker.slovakia@parker.com

SL – Slovenia, Novo Mesto

Tel: +386 7 337 6650
parker.slovenia@parker.com

TR – Turkey, Istanbul

Tel: +90 216 4997081
parker.turkey@parker.com

UA – Ukraine, Kiev

Tel: +48 (0)22 573 24 00
parker.poland@parker.com

UK – United Kingdom, Warwick

Tel: +44 (0)1926 317 878
parker.uk@parker.com

ZA – South Africa, Kempton Park

Tel: +27 (0)11 961 0700
parker.southafrica@parker.com

North America

CA – Canada, Milton, Ontario

Tel: +1 905 693 3000

US – USA, Cleveland

(industrial)
Tel: +1 216 896 3000

US – USA, Elk Grove Village

(mobile)
Tel: +1 847 258 6200

Asia Pacific

AU – Australia, Castle Hill

Tel: +61 (0)2-9634 7777

CN – China, Shanghai

Tel: +86 21 2899 5000

HK – Hong Kong

Tel: +852 2428 8008

ID – Indonesia, Tangerang

Tel: +62 21 7588 1906

IN – India, Mumbai

Tel: +91 22 6513 7081-85

JP – Japan, Fujisawa

Tel: +81 (0)4 6635 3050

KR – South Korea, Seoul

Tel: +82 2 559 0400

MY – Malaysia, Shah Alam

Tel: +60 3 7849 0800

NZ – New Zealand, Mt Wellington

Tel: +64 9 574 1744

SG – Singapore

Tel: +65 6887 6300

TH – Thailand, Bangkok

Tel: +662 186 7000

TW – Taiwan, New Taipei City

Tel: +886 2 2298 8987

VN – Vietnam, Ho Chi Minh City

Tel: +84 8 3999 1600

South America

AR – Argentina, Buenos Aires

Tel: +54 3327 44 4129

BR – Brazil, Cachoeirinha RS

Tel: +55 51 3470 9144

CL – Chile, Santiago

Tel: +56 2 623 1216

MX – Mexico, Toluca

Tel: +52 72 2275 4200

Ed. 2015-04-21

© 2015 Parker Hannifin Corporation. All rights reserved.



EMEA Product Information Centre

Free phone: 00 800 27 27 5374

(from AT, BE, CH, CZ, DE, DK, EE, ES, FI, FR, IE, IL, IS, IT, LU, MT, NL, NO, PL, PT, RU, SE, SK, UK, ZA)

US Product Information Centre

Toll-free number: 1-800-27 27 537

www.parker.com

Your local authorized Parker distributor
Your local authorized Parker distributor