

## Preparation of compressed air ► Maintenance units and components

### Pressure regulator, Series AS2-RGS

► G 1/4 - G 3/8 ► Qn=2200 - 2700 l/min ► Activation: mechanical ► lockable ► for padlocks ► suitable for ATEX



00119369

ATEX	II 2G2D T4 X
Mounting orientation	Any
Working pressure min./max.	See table below
Medium	Compressed air Neutral gases
Medium temperature min./max.	-10°C / +50°C
Ambient temperature min./max.	-10°C / +50°C
Regulator type	Diaphragm-type pressure regulator, Can be assembled into blocks
Regulator function	with relieving air exhaust
Adjustment range min./max.	See table below
Pressure supply	single
<b>Materials:</b>	
Housing	Polyamide
Front plate	Acrylonitrile butadiene styrene
Seals	Acrylonitrile Butadiene Rubber

#### Technical Remarks

- The pressure dew point must be at least 15 °C under ambient and medium temperature and may not exceed 3 °C.

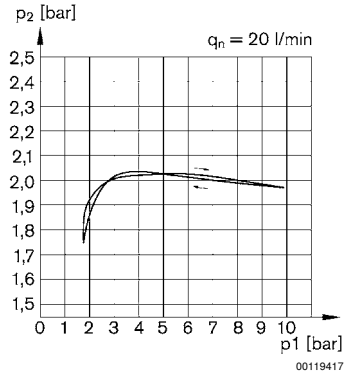
	Port	Qn	Working pressure min./max.	Adjustment range min. - max..	Weight	Note	Part No.
	G 1/4	2200	0.1 / 16	0.1 - 1	0.32	1)	<b>R412006101</b>
	G 1/4	2200	0.1 / 16	0.1 - 2			<b>R412006103</b>
	G 1/4	2200	0.2 / 16	0.2 - 4			<b>R412006105</b>
	G 1/4	2200	0.5 / 16	0.5 - 8			<b>R412006107</b>
	G 1/4	2200	0.5 / 16	0.5 - 10			<b>R412006109</b>
	G 1/4	2200	0.5 / 16	0.5 - 16			<b>R412006111</b>
	G 3/8	2700	0.1 / 16	0.1 - 1			<b>R412006113</b>
	G 3/8	2700	0.1 / 16	0.1 - 2			<b>R412006115</b>
	G 3/8	2700	0.2 / 16	0.2 - 4			<b>R412006117</b>
	G 3/8	2700	0.5 / 16	0.5 - 8			<b>R412006119</b>
	G 3/8	2700	0.5 / 16	0.5 - 10			<b>R412006121</b>
	G 3/8	2700	0.5 / 16	0.5 - 16			<b>R412006123</b>
		G 1/4	2200	0.1 / 16			0.1 - 1
G 1/4		2200	0.1 / 16	0.1 - 2	<b>R412006102</b>		
G 1/4		2200	0.2 / 16	0.2 - 4	<b>R412006104</b>		
G 1/4		2200	0.5 / 16	0.5 - 8	<b>R412006106</b>		
G 1/4		2200	0.5 / 16	0.5 - 10	<b>R412006108</b>		
G 1/4		2200	0.5 / 16	0.5 - 16	<b>R412006110</b>		
G 3/8		2700	0.1 / 16	0.1 - 1	R412006112		
G 3/8		2700	0.1 / 16	0.1 - 2	R412006114		
G 3/8		2700	0.2 / 16	0.2 - 4	<b>R412006116</b>		
G 3/8		2700	0.5 / 16	0.5 - 8	<b>R412006118</b>		
G 3/8		2700	0.5 / 16	0.5 - 10	<b>R412006120</b>		
G 3/8		2700	0.5 / 16	0.5 - 16	<b>R412006122</b>		

1) Pressure gauge enclosed separately  
 2) Order pressure gauge separately  
 Nominal flow Qn at p1 = 6.3 bar and Δp = 1 bar

**Pressure regulator, Series AS2-RGS**

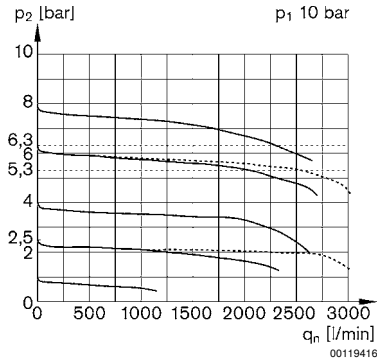
▶ G 1/4 - G 3/8 ▶ Qn=2200 - 2700 l/min ▶ Activation: mechanical ▶ lockable ▶ for padlocks ▶ suitable for ATEX

**Pressure characteristics curve**



p1 = Working pressure  
p2 = Secondary pressure  
qn = Nominal flow

**Flow rate characteristic (p2: 0,5 - 8 bar)**



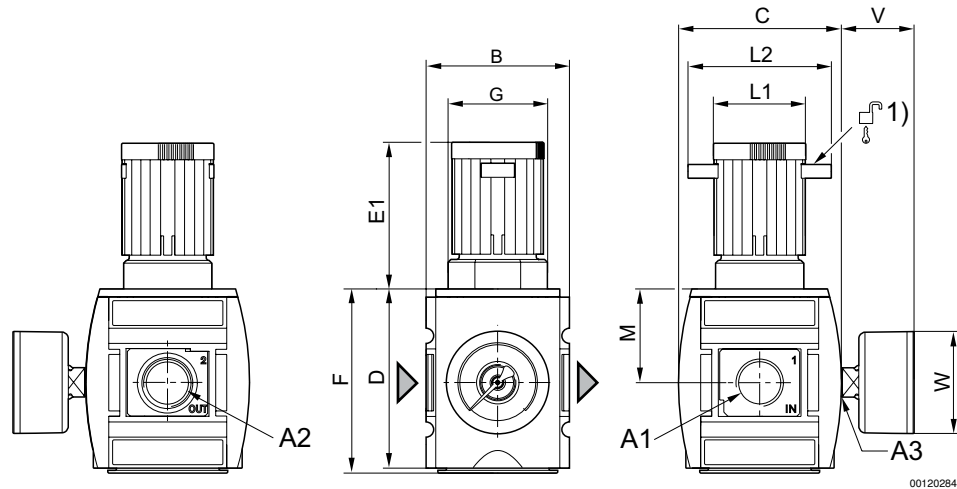
p1 = Working pressure  
p2 = Secondary pressure  
qn = Nominal flow

Preparation of compressed air ► Maintenance units and components

## Pressure regulator, Series AS2-RGS

► G 1/4 - G 3/8 ► Qn=2200 - 2700 l/min ► Activation: mechanical ► lockable ► for padlocks ► suitable for ATEX

### Dimensions



A1 = input  
 A2 = output  
 A3 = pressure gauge connection  
 1) Mounting option for padlocks; max. shackle Ø 8

A1	A2	A3	B	C	D	E1	F	G	L1	L2	M	V
G 1/4	G 1/4	G 1/4	52	59	65	57.9	66.8	M36x1,5	34	54	34	37
G 3/8	G 3/8	G 1/4	52	59	65	57.9	66.8	M36x1,5	34	54	34	37

A1	W											
G 1/4	50											
G 3/8	50											