



Size 16 solid machined contacts for TRIM TRIO connectors

Description

Size 16 RM/RC .0625" (1.6mm) diameter contacts are precision solid machined crimp snap-in pin and sockets for heavy duty top performance requirements.

Springs on both contacts are made of spring-tempered, heat-treated, beryllium copper.

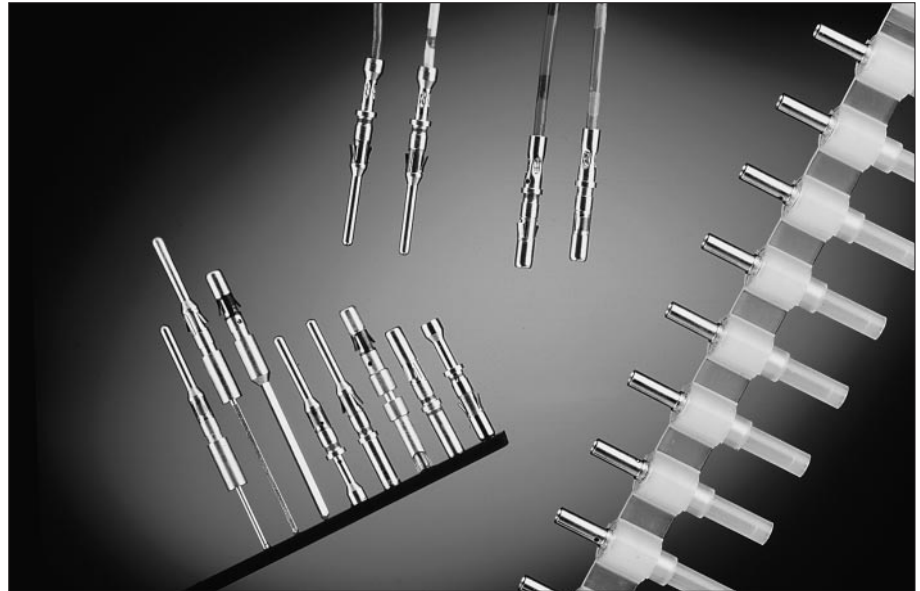
The socket inner spring supplies high contact pressure to ensure low-resistance contact between pin and socket. The socket contact features closed entry to prevent probe damage. Crimp barrels have insulation grips for vibration support and are provided with a cable stop and inspection hole.

Features and benefits

- Made from high conductive copper alloy with gold or tin over nickel plate finish.
- Heat-treated beryllium copper locking springs assure proper locking and alignment of contacts in the housing.
- Colour coded for different wire sizes.
- Closed entry design on socket contact to prevent probe damage.
- Contacts available in bulk packing

Performance characteristics

Current rating:	13 Amp
Contact resistance:	≤ 3 mΩ
Operating voltage:	750 V RMS
Contact retention in body:	110 N min.
Individual insertion force:	3.5 N max.
Individual withdrawal force:	0.55 N min.



Construction

Contact body: High conductive copper alloy.

Outer spring: Tempered, heat-treated, non-plated beryllium copper.

Inner spring socket: Tempered, heat-treated, plated beryllium copper.

Plating table

K (std) = Min. 0.4 μ Gold all over, over Nickel

J = Gold flash all over, over Nickel

N = Min. 0.75 μ Gold all over, over Nickel

T = 3 - 5 μ Tin all over, over Nickel

Other platings on request

Connector accommodation

Any TRIM TRIO contact can be used in any contact position in any connector in the TRIM TRIO interconnection system.

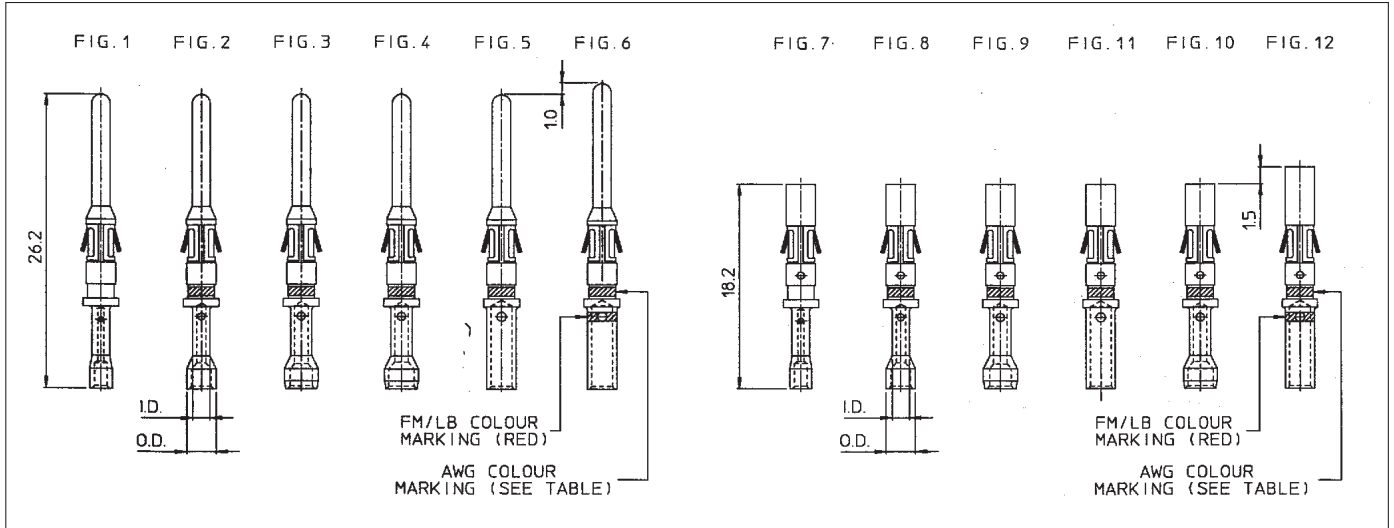
- MS-M Rectangular connectors
- SMS Qikmate
- PI43 Eurorack connectors
- UT-Bantam
- UTG Metalok bantam
- UTP Full plastic bantam
- UTGS Shielded bantam
- MBG Bantamate II

How to order

	(K) RM	16	M	23	(GE1)	K	-
	(K) RC	16	M	23	(GE1)	K	-
Contact type:	RM: Male contact bulk packing						
	RC: Female contact bulk packing						
	KRM: Male contact on plastic carrier strip						
	KRC: Female contact on plastic carrier strip						
AWG Size:	16, 20, 24, 28						
Size 16:	.0625" (1.6mm) Diameter contacts						
Design variation:	Crimp barrel						
Grounding contact:							
Plating indication:	See plating table						
Packing quantity:	No digit (std) : 50 pcs. bulk packing (RM/RC)						
	: 2000 pcs on reel (KRM/KRC)						
	1000 : 1000 pcs bulk packing (RM/RC)						



Standard RM/RC crimp contacts: Contact size 16 - Pin diameter 1.57mm (.062")



Dimensional table

Pin contacts	Part number		Fig.	Colour code	wire size		Max. wire dia.	Max. insul. dia.	wire strip length	I.D.	O.D.
	Fig.	Socket contacts			AWG	mm ²					
RM28M1K	1	RC28M1K	7	-	30 - 28	0.05 - 0.08	0.55	1.1	4.8	1.50	1.90
RM24M9K	2	RC24M9K	8	Red	26 - 24	0.13 - 0.20	0.8	1.7		1.50	2.55
RM20M13K	3	RC20M13K	9	Black	22 - 20	0.32 - 0.52	1.18	1.9		1.83	2.92
RM20M12K	4	RC20M12K	10	Blue	22 - 20	0.32 - 0.52	1.18	2.2		1.83	2.92
RM16M23K	5	RC16M23K	11	Green	20 - 16	0.52 - 1.50	1.82	3.2	7.1	2.55	-
RM16M23GE1K	6	RC16M23GE1K	12	Green + red	20 - 16	0.52 - 1.50	1.82	3.2		2.55	-

Packing quantity: 50 pcs bulk packing (standard)

For 1000 pcs bulk packing add "1000" at the end of the part number e.g. RM16M23K1000

For machined contact reeled on plastic carrier: put "K" in front of part number e.g. KRM16M23K

For other platings: See plating table

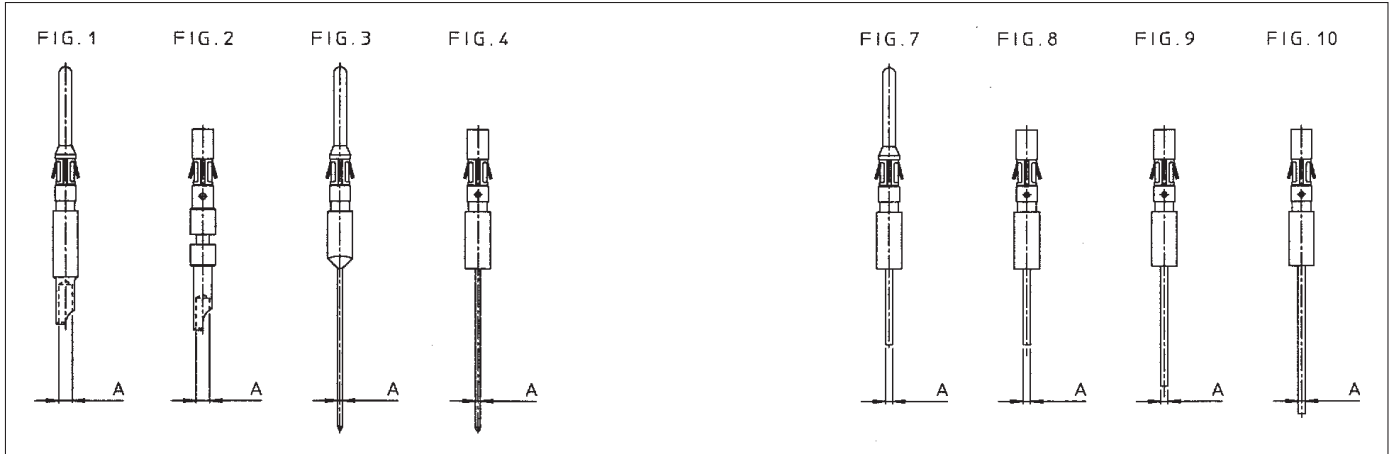
Crimptooling table

Size	Hand crimp tooling for loose contacts						Automatic crimp tooling for contacts on strip	Extraction tools
	Hand tools die set included	MH860		M10S1		M8ND	P100MAN (Press) Left side applicator KRM/KRC (not incl.)	
		Positioner (not incl.)	Locator setting	Die set (not incl.)	Stop bushing (not incl.)	Die set (not incl.)		
28	MR8GE5 and Y16RCM	MH86164G	4/6	S9	SL40	N24RT10	MLS228	RX2025GE1 or RX2025GE2
24			5/6			S10	N20RT30	
20			5/7	N16RT21			MLS220	
16		MH86186	6/8	S3D1	SL115	N16RT25	MLS216	
16 GE1								

For detailed information on crimp tooling : See crimp tooling section

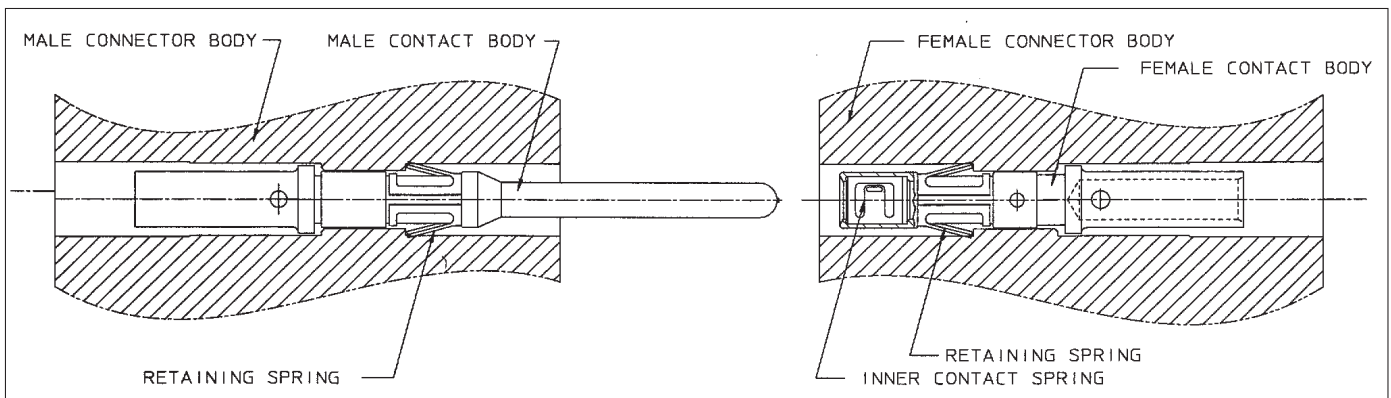


Special RM / RC contacts: Contact size 16 - Pin diameter 1.57mm (.062")



Pin contacts	Part number		Fig.	code	wire size		Post cross section A cavity	Length out of TRIM TRIO part number	Anti-rotating bushing
	Fig.	Socket contacts			AWG	mm ²			
RM16SEOK	1	RC16SE4K	2	Handsold	16 - 20	1.50 - 0.52	∅1.7	3.5	-
RM20M12G4K	3	RC20M12G4K	4	Mini - wrap	28 - 30	0.08 - 0.05	∅ 0.636	16.0	J1661
RM20M12E8K	7	RC20M12E8K	8	Dipsolder	-	-	∅ 0.9	5.2	-
		RC20M12E83K	9	Dipsolder	-	-	∅ 0.9	10.4	-
		RC20M12384K	10	Dipsolder	-	-	∅ 0.9	13.9	-

The RM/RC contact principle



The RM/RC contact packing



50 pcs bulk packing (standard)



1000 pcs bulk packing



Reeled contacts on plastic carrier (qty 2000 pcs)