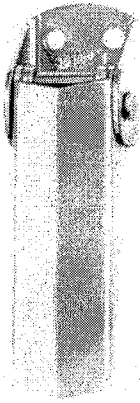
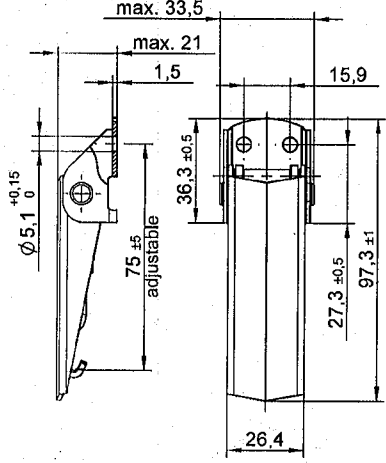
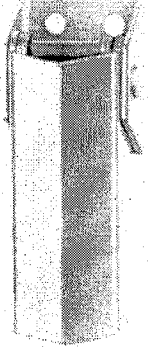
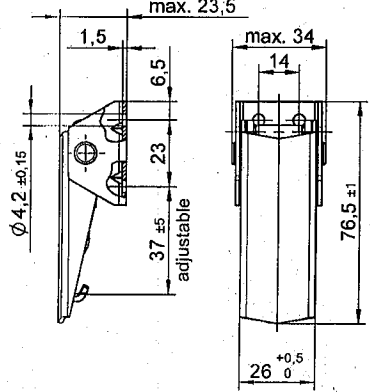


Max. tensile strength 3.600 N, working load max. 2.700 N, see footnotes.

Adjustable drawhook

Available with secondary lock and hasp

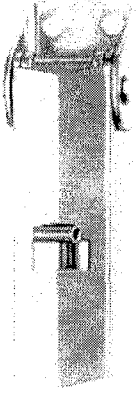
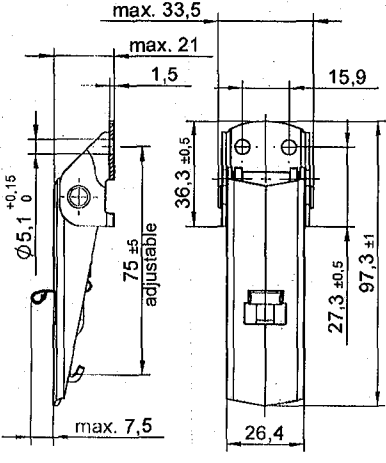
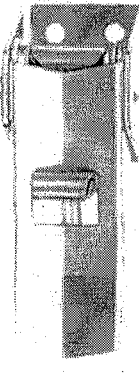
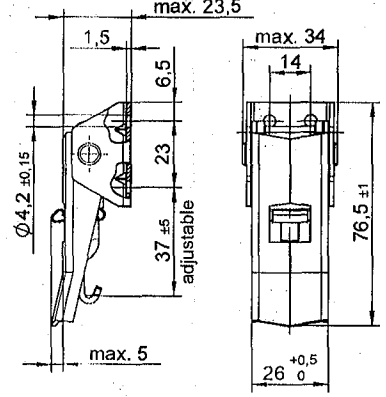
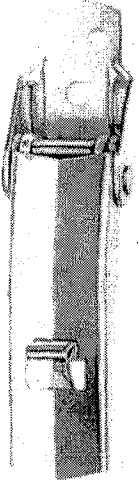
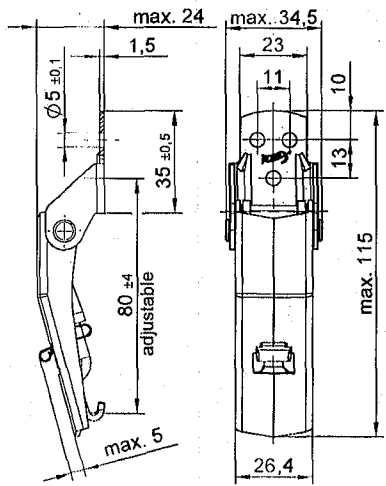
Style	Dimensions	Materials / Finish	Mounting Type ¹⁾	D	Part No.
Open base 		Steel / zinc-plated, CrVI-free, clear passivation ²⁾	N	5,1	V917L01-1-1AG
		Stainless steel ³⁾	N	5,1	V917L01-1-1BP
High base 		Steel / zinc-plated, CrVI-free, clear passivation ²⁾	N	4,2	V17L12-1-1AA

¹⁾ Mounting type: N = With hole for riveting or screw fixing

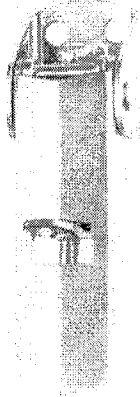
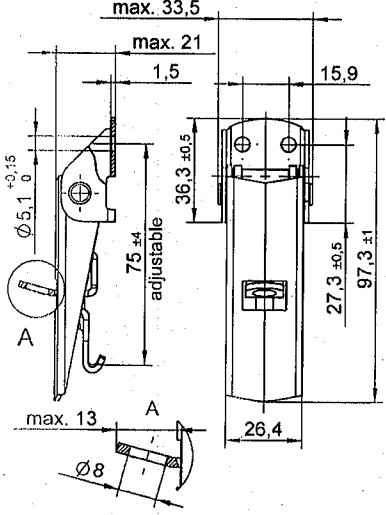
S = Without holes, for welding

²⁾ Max. tensile strength: 3.200 N with V917L11-1- *AG strike, working load 2.200 N.
2.200 N with V951L50-1- *AGV strike, working load 1.500 N.


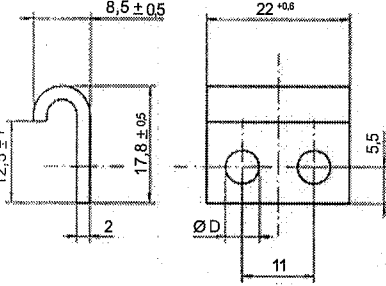

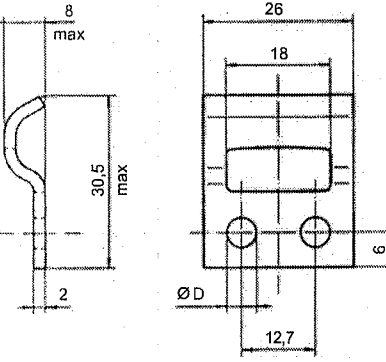
³⁾ Max. tensile strength: 3.600 N with V951L50-1- *BP strike, working load 2.700 N.
max. 2.300 N with V917L11-1-1BP strike, working load 1.550 N.

Style	Dimensions	Materials / Finish	Mounting Type ¹⁾	D	Part No.
Secondary lock, open base 		Steel / zinc-plated, CrVI-free, clear passivation ²⁾	N	5,1	V917L01-1X1AG
		Stainless steel ³⁾	N	5,1	V917L01-1X1BP
		Stainless steel ³⁾	S	-	V917L01-1X2BP
		Stainless steel V4A ³⁾	N	5,1	V917L01-1X1CP
		Stainless steel V4A ³⁾	S	-	V917L01-1X2CP
Secondary lock, high base 		Steel / zinc-plated, CrVI-free, clear passivation ²⁾	N	4,2	V17L12-2X1AA
Secondary lock, for curved surfaces (R min = 125 mm) 		Steel / zinc-plated, CrVI-free, clear passivation ²⁾	N	5,0	1449L02-1X1AG
		Stainless steel ³⁾	N	5,0	1449L02-1X1BP

For footnotes refer to page G-1.

Style	Dimensions	Materials / Finish	Mounting Type ¹⁾	D	Part No.
Open base, with hasp 		Steel / zinc-plated, CrVI-free, clear passivation ²	N	5,1	V917L01-1Y1AG

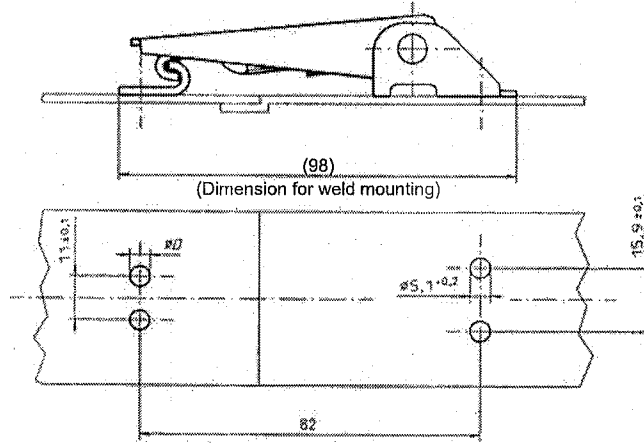
Strikes

Style	Dimensions	Materials / Finish	Mounting Type ¹⁾	D	Part No.
Open 		Steel / zinc-plated, CrVI-free, clear passivation	N	5,1	V917L11-1-1AG
		Steel / zinc-plated, CrVI-free, clear passivation	N	4,2	V917L11-1-3AG
		Stainless steel	N	5,1	V917L11-1-1BP
Closed 		Steel / zinc-plated, CrVI-free, clear passivation	N	4,2	V951L50-1AGV
		Steel / zinc-plated, CrVI-free, clear passivation	N	5,1	V951L50-5AGV
		Stainless steel	N	4,2	V951L50-1BP
		Stainless steel	S	-	V951L50-3BP

For footnotes refer to page G-1.

Dimensions

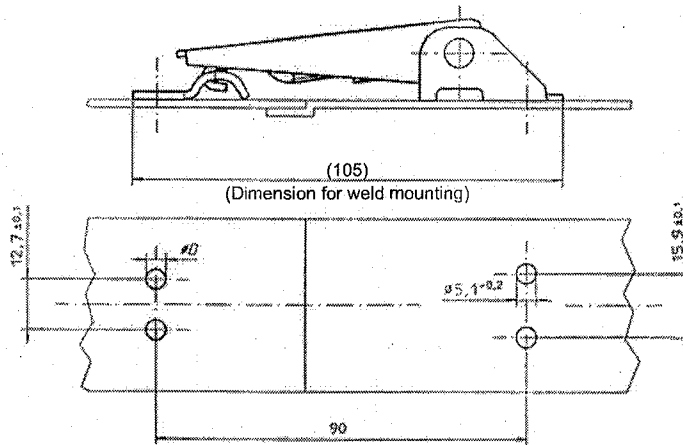
Open-base tension latch / open strike



**V917L01-
V917L11-**

Select diameter D in accordance with the strike style.

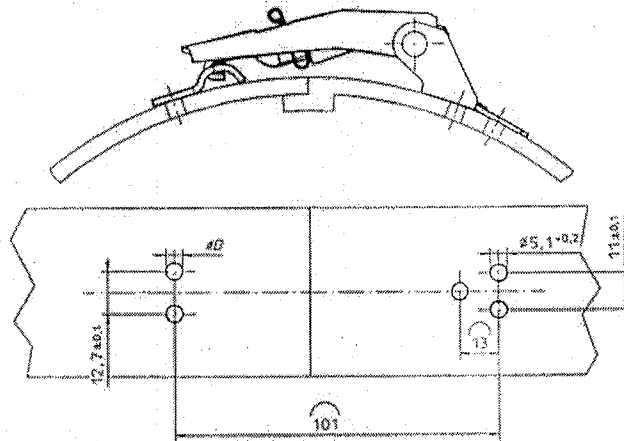
Open-base tension latch / closed strike



**V917L01-
V951L50-**

Select diameter D in accordance with the strike style.

Tension latch for curved surfaces

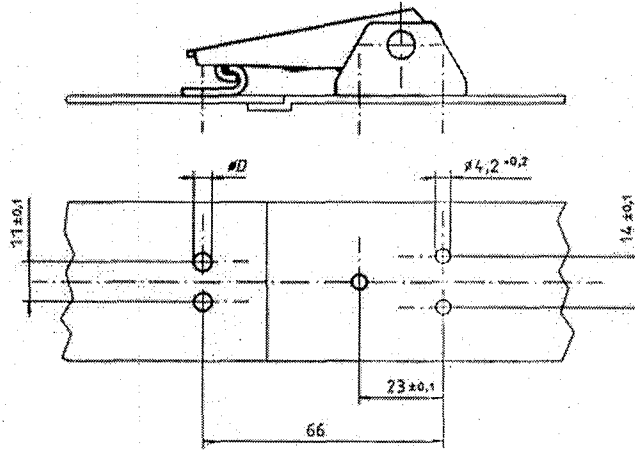


**1449L02-
V951L50-**

Select diameter D in accordance with the strike style.

Dimensions

High-base tension latch / open strike

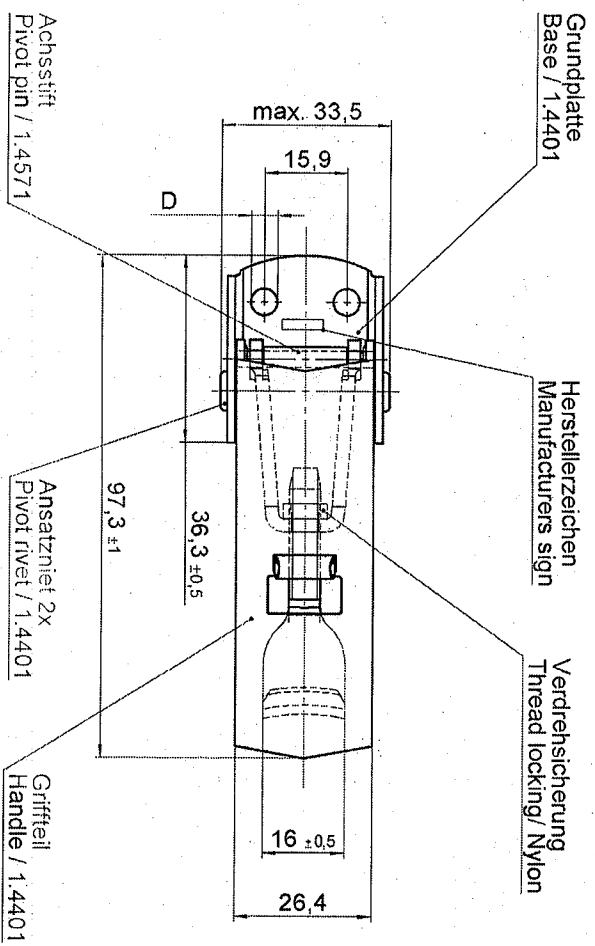
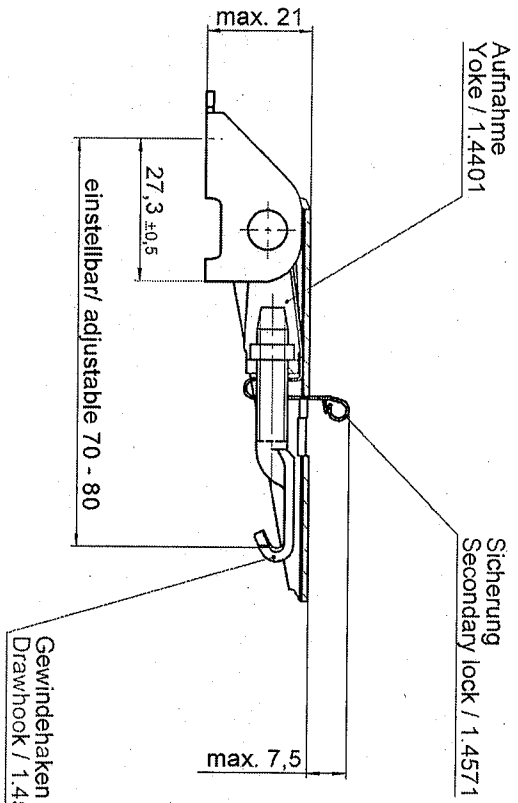


V17L12-

V917L11-

Select diameter D in accordance with the strike style.

1		2		3		4		5		6		7		8	
Teil-Nr. / Part-no.		D	Oberflaeche/ Finish		Bemerkung/ remark										
V917L01-1X1CP		5,1 ^{+0,15}	Passiviert/ passivated		Gewindehaken u. Verdrehsicherung lose beigelegt/ Drawhook and thread locking added not assembled										
V917L01-1X2CP		—													
V917L01-5X2CP															



Technische Daten/ technical data
 Max. Belastbarkeit / max. load: 3600N
 Betriebsbelastung/ working load: 2700N
 Hub/ stroke: 12 mm

REV	DATE	BY	CHKD	APPV	REASON
K	05.03.27	01	05	AS	

System: SolidWorks	All Dimensions in Millimeters [mm]	Unless otherwise specified, common tolerances per DIN ISO 2768-mK
Only CAD-Modifications!	<input type="checkbox"/> Inch [in]	

Wichtigste sowie Verwirklichung dieses Dokumentes, Verfertigung und Mitteilung sind die Verantwortung der Fertigung auszusprechen, soweit nicht ausdrücklich anders angegeben. Zu den Verpflichtungen zu Schadensersatz, Alle Rechte hier den Fall der Patent-, Gebrauchsmuster- oder Geschmacksnustereingung vorbehalten.	The reproduction, distribution and utilization of this document as well as the communication of its contents to others without explicit authorization is prohibited. Others will need to pay for the payment of damages, which reserved in the event of the grant of a patent, utility model or design.
--	---

Scale	1:1
-------	-----

Drawn	12.11.03	UT
Checked	08.12.03	JL
QM	11.12.03	KRE
Mfg.	11.12.03	EH
First Appr.	18.12.03	DJ

Designation	Spannerschluss, korros. fest
Series	V917L
Drawing-No.	V917L01
Dwg.-Ident.	V917L01-1-2/3
Replacement for	

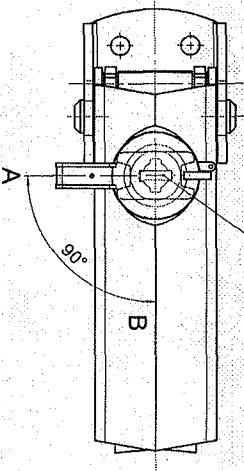
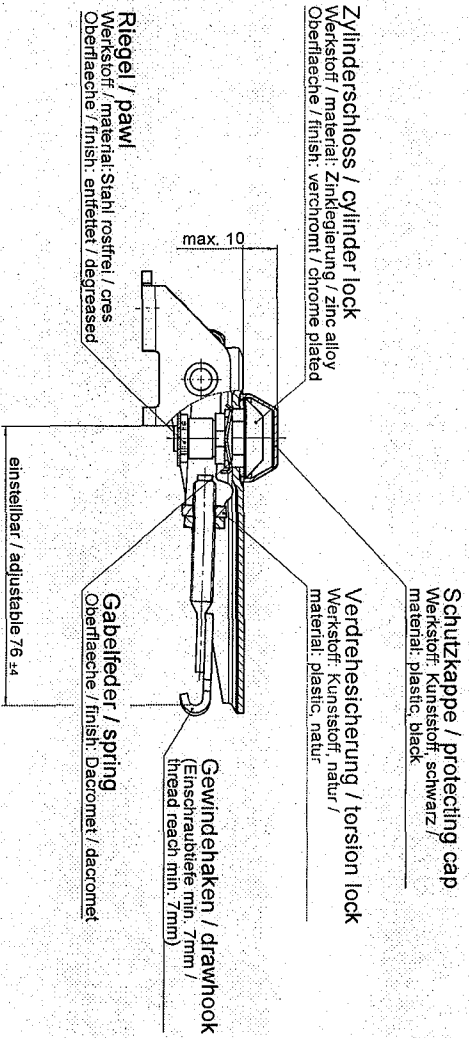
ALCOA	Alcoa Fastening Systems & Rings	Fasteners Europe - Canalic GmbH
-------	---------------------------------	---------------------------------

gostem	24.02.15	vesou	04.03.15	build
KRE	31.01.05	EH	08.02.05	DJ
QM		Mfg.		Approval

Teil-Nr. / part-no	Ausführung / type	Werkstoff / material	Oberfläche / finish
V18L01-221AE	# D	Stahl / steel	verzinkt und schwarz chromatiert / zinc plated with black chromated
V18L01-221AA	# E	Stahl / steel	verzinkt und farblos chromatiert / zinc plated with clear chromated
V18L01-021AA	#		
V18L01-22G1BF	# F	Stahl rostfrei / c/res	passiviert / passivated
V18L01-221BF	# G	Stahl / steel	verzinkt und schwarz chromatiert / zinc plated with black chromated

Ausführung / type D

fehlende Masse siehe Ausführung A / missing dimension see type A



Stellung / position A: geschlossen / closed
Stellung / position B: offen / opened
Schlüssel in Stellung A und B abziehbar /
key can be removed in position A and B

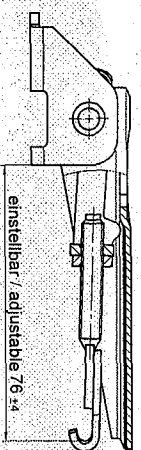
Technische Daten / technical data:

siehe Blatt 1/3 / see page 1/3

- # - Schlosser gleichschließend (ein Schlüssel fuer alle Schlosser) / cylinder lock equally locking (one key for all cylinders)
- Schlüssel werden der Lieferung getrennt beigelegt / keys delivered separately
- Schlüssel 2x als Ersatzteil unter MV18L46-K bestellen / sparepart: key 2x: MV18L46-K
- # - Schlosser mit 2 Schlüsseln: 200 verschiedene Schlüsslungen / cylinder lock with 2 keys: 200 possibilities

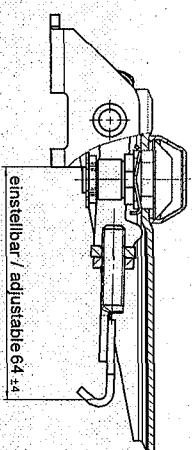
Ausführung / type E

wie Ausführung D, jedoch ohne Zylinderschloss und Schutzkappe / as type D, however without cylinder lock and protecting cap



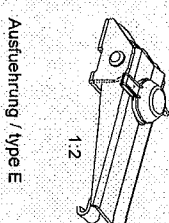
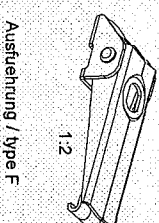
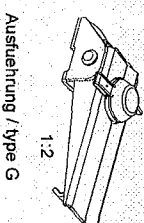
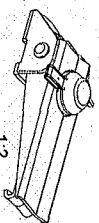
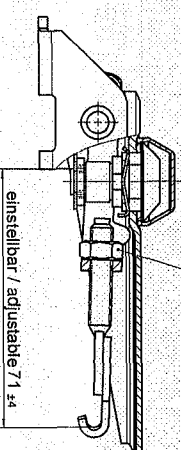
Ausführung / type F

wie Ausführung D, jedoch mit Sondergewindehaken / as type D, but with special drawhook



Ausführung / type G

wie Ausführung D, jedoch mit Sondergewindehaken / as type D, but with special drawhook



AD	0705	09.01.08	sch	31.01.08	hoer	23.01.08	ver	24.01.08	tr	28.02.08	ge
Revision	CN	Date	Prepared	Date	Checked	Date	CM	Date	mg	Date	Approved
as CAD	Schulz	All Dimensions in Millimeters (mm)	ISO Tech (0)	Scale	1:1	Designation	ALCOA Alcoa Fastening Systems Alcoa Fasteners Europe, GmbH, GmbH				
CMV CAD-Modifikation:							Spannerschluss Teil-Nr. / part-no: V18L01 Drawing-No: V18L01 Proj: V18L01-AD-33 Drawn: 08.01.08 Checked: 23.01.08 Mfg: 24.01.08 Prod: 28.02.08 Rep: 18.01.03 AC Form: 18.01.03				