

440.3.605-2

Vacuum cleaner motor performance

DOMEL®

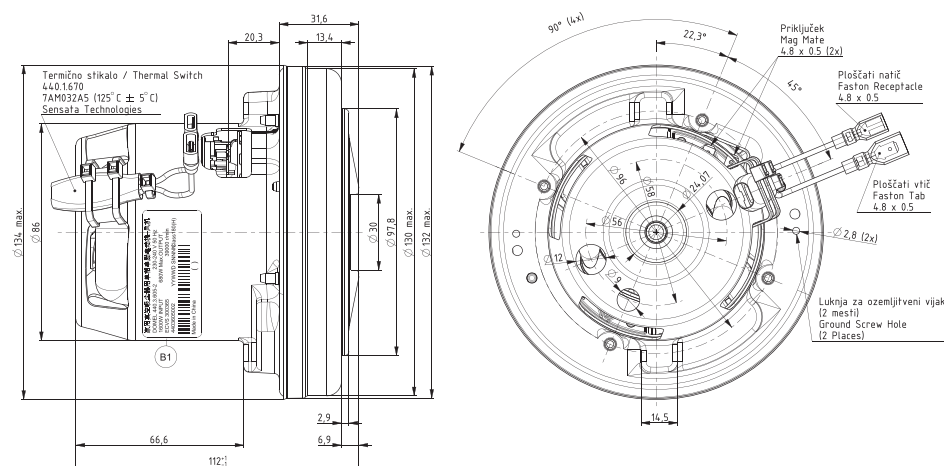
Technical data:

Vacuum cleaner motors with high efficiency 440.3.605-2 / 1700W / 230-240V / 50Hz are used for dry aspiration. Technical data and dimensions are given in the table. Vacuum motors consist of universal commutator motor and single fan stage. The rotor is supported with two ball bearings enabling vertical or horizontal installation of motor. The motor is designed for insulation class 180 (H) and constructed according to EN 60335-1.

Normal operation:	P_m	>=	1610	W
Vacuum:	P_{max}	>=	29,2 117,2	kPa in H ₂ O
Air Flow at $\phi 50$:	$Q_{\phi 50}$	>=	52 111	dm ³ /s CFM
Air Power:	P_{2max}	>=	640	W
Efficiency:	η_{max}	>=	42	%
Mass:	m	=	1,39	kg

Max. power 1700W

Voltage:	230 V
Frequency:	50 Hz
Nominal Power:	1600 W



Dimensional and performance data are subject to change without notice.

Orifice		Current	Input Power	Speed	Pressure		Air Flow		Air power	Efficiency
mm	in*	A	W	min ⁻¹	kPa	in H ₂ O	dm ³ /s	CFM	W	%
50	2	7,57	1724	39198	1,3	4,7	54,6	116,0	72	4,2
40	1 1/2	7,55	1717	39281	3,1	16,1	53,2	110,6	163	9,5
30	1 1/8	7,46	1697	39604	8,1	39,2	48,1	98,1	391	23,0
23	7/8	7,15	1629	40676	16,2	69,4	39,1	79,3	631	38,7
19	3/4	6,77	1543	42185	22,0	88,0	30,7	65,2	674	43,7
16	5/8	6,37	1455	43874	26,4	106,4	23,6	49,3	622	42,7
13	1/2	5,96	1362	45792	29,1	117,0	16,3	33,1	472	34,7
10	3/8	5,52	1265	48323	29,9	120,3	9,8	19,2	293	23,2
6	1/4	4,93	1129	50852	30,1	121,0	4,2	8,7	127	11,2
0	0	4,63	1062	53565	30,7	123,4	0,0	0,0	0	0,0

Data above represent the performance of an average motor sample. Individual data may vary due to normal manufacturing variations.

* Orifice in inch is only approximative.