

Multi-Transducer, MTR-3

Cost-effective Measurement of More than 50 Parameters



The size of a portable hard drive, the MTR-3 transducers are slight in build but offers equal performance of up to four standard transducers, measuring and calculating AC voltage, AC current, active/reactive/apparent power, power factor, frequency, kWh, kVA, THD, dynamic and maximum demands.

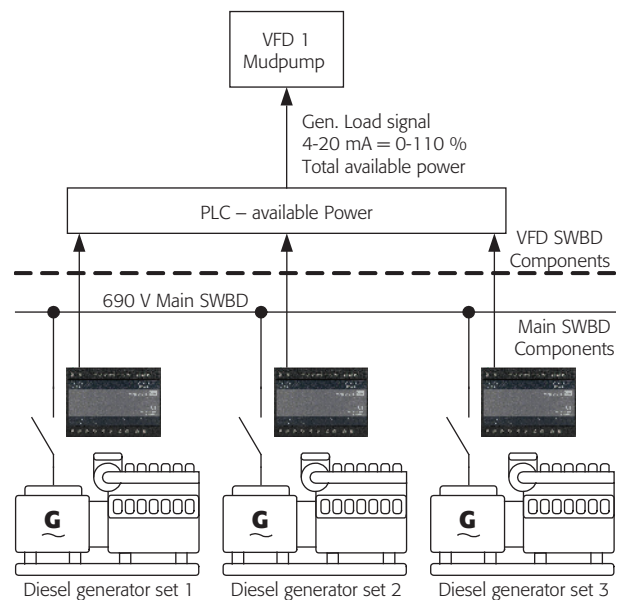
The range has a standard response time of less than 200 ms, with the MTR-3F offering ultra-fast response at just ≤ 50 ms. Modbus data refresh time is also just 50 ms with transfer data up to 115,200 bit/s. The accuracy class is 0.5 for analogue data and 0.3 for Modbus data. With configurable outputs for more than 50 parameters and a universal power supply (19-300V DC, 40-276V AC), it is possible to stock DEIF's transducers with future installations and reconfiguration for almost any application in view.

DEIF's MTR-3 is a cost-effective, compact and powerful solution for transducer applications. Developed for measuring single-phase and 3-phase network topologies, measurement data are available through RS485 Modbus communication. Simply connect a USB 2.0 interface for fast and easy configuration of up to four analogue outputs.

MTR-3 Features

- ✓ Suitable for all 1- and 3-phase network topologies
- ✓ Up to 1000 VL-L AC input
- ✓ Accuracy class: 0.5 or 0.3
- ✓ Up to 4 analogue outputs
- ✓ Fast response time, down to ≤ 50 ms
- ✓ Measures more than 50 parameters
- ✓ RS485 serial Modbus communication
- ✓ Fully configurable by USB, no aux. supply required
- ✓ Universal power supply of 19 to 300V DC/40 to 276V AC

Type	Analogue Outputs	RS485 Modbus	Response Time
MTR-3-015	–	✓	200 ms
MTR-3F-215	2	✓	50 ms
MTR-3-315	3	✓	200 ms
MTR-3-415	4	✓	200 ms



Blackout Preventive Function

The MTR-3F can be used for fast load reduction of thruster or other consumers.

MTR-3 Type Approval

