

# Membrane Type Nominal Static Pressure



## 1300 SERIES

- Rugged, moderate working static pressure dry or liquid-filled gauge
- Ranges from 0 inH<sub>2</sub>O to 100 inH<sub>2</sub>O through 0 psid to 400 psid
- 4-1/2" and 6" gauge sizes
- Standard black anodized aluminum case
- 316 stainless steel wetted parts

### APPLICATIONS

- Back flow testing
- Chemical processing
- Cryogenic systems
- Filter monitoring
- Flow indication
- Oilfield & offshore

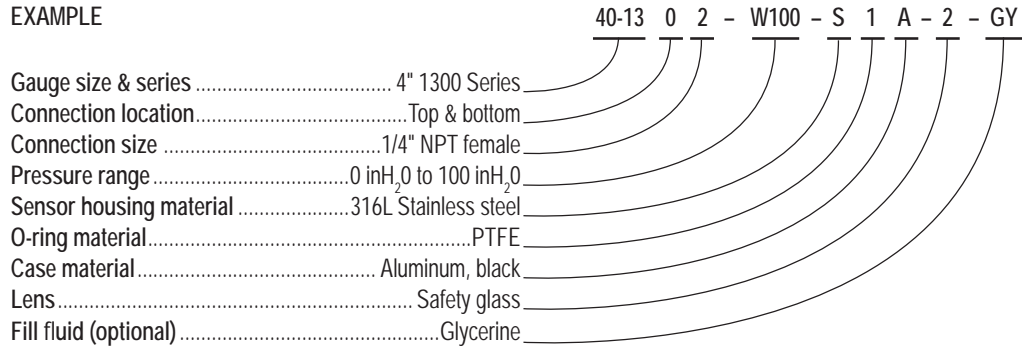
### SPECIFICATIONS

Pressure ranges	0 inH <sub>2</sub> O to 100 inH <sub>2</sub> O through 0 psid to 400 psid
Max. working static pressure	600 psig
Accuracy	±1% of full scale on rising pressure
Temperature ranges	Media -40 °F to 200 °F (-40 °C to 93 °C) Ambient -40 °F to 200 °F (-40 °C to 93 °C) Storage -40 °F to 200 °F (-40 °C to 93 °C)
Measuring element	316L stainless steel – NACE compliant
O-ring material	PTFE
Connection	1/4" NPT female, dual top & bottom
Sensor housing material	316L stainless steel
Case	Black anodized aluminum
Bezel	316L stainless steel
Lens	Acrylic
Pointer	Balanced aluminum, black finish
Dial	Aluminum, black background with white scale
Movement	Stainless steel
Gauge fill fluid	Glycerine

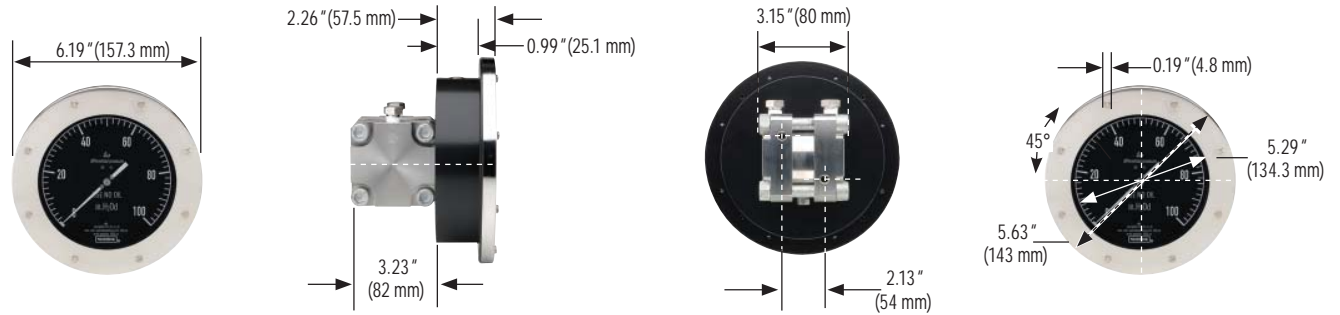
ORDERING INFORMATION				
GAUGE SIZES & SERIES	45 - 13	4-1/2"	60 - 13	6"
CONNECTION LOCATIONS	0	Top & bottom	1	Back
CONNECTION SIZE	2	1/4" NPT female		
PRESSURE RANGES	W100	0 inH <sub>2</sub> O to 100 inH <sub>2</sub> O	W400	0 inH <sub>2</sub> O to 400 inH <sub>2</sub> O
	W150	0 inH <sub>2</sub> O to 150 inH <sub>2</sub> O	P15	0 psid to 15 psid
	W200	0 inH <sub>2</sub> O to 200 inH <sub>2</sub> O	P30	0 psid to 30 psid
	W300	0 inH <sub>2</sub> O to 300 inH <sub>2</sub> O	P60	0 psid to 60 psid
			P100	0 psid to 100 psid
			P230	0 psid to 230 psid
			P300	0 psid to 300 psid
			P400	0 psid to 400 psid
SENSOR HOUSING MATERIAL	S	316L Stainless steel		
O-RING MATERIALS	1	PTFE	2	FKM
			3	NBR
CASE MATERIALS	A	Aluminum, black	S	316L Stainless steel
LENSES	1	Acrylic	2	Safety glass
FILL FLUIDS (optional)	GY	Glycerine	SL	Silicone
			HL	Halocarbon®

Please consult your local NOSHOK Distributor or NOSHOK, Inc. for availability and delivery information.

**EXAMPLE**



### 4-1/2" Gauge Panel Cut-Out Dimensions



### 6" Gauge Panel Cut-Out Dimensions

