

## 6 poles - 1000/1200 rpm

	Description					Mechanical specifications								Electrical specifications					
	Code	Type	SIZE		 I12D Temp. class	Static moment* kgmm		Centrifugal force				Weight kg		Max input power W		Max. current A		I <sub>a</sub> /I <sub>n</sub>	
						50 Hz	60 Hz	50 Hz	60 Hz	50 Hz	60 Hz	50 Hz	60 Hz	50 Hz	60 Hz	400 V 50 Hz	460 V 60 Hz	50 Hz	60 Hz
three-phase	602296	MVSI 10/40-S02	10	•	120°C	30.1	30.1	35.0	49.0	0.331	0.476	9.70	9.70	120	135	0.30	0.30	1.90	2.07
	602297	MVSI 10/100-S02	10	•	120°C	84.2	84.2	94.3	136	0.925	1.33	12.5	12.5	120	135	0.30	0.30	1.90	2.07
	602298	MVSI 10/200-S02	20	•	120°C	163	163	183	264	1.80	2.59	19.0	19.0	185	205	0.50	0.50	2.72	3.10
	602314	MVSI 10/310-S02	30	•	120°C	286	209	321	338	3.15	3.32	27.5	26.2	350	380	0.72	0.68	2.63	2.79
	602402	MVSI 10/550-S02	35	•	120°C	457	457	512	737	5.02	7.23	36.5	36.5	350	380	0.75	0.68	2.53	3.68
	602403	MVSI 10/650-S02	35	•	120°C	580	457	650	737	6.37	7.23	41.0	36.5	350	380	0.75	0.68	2.53	3.68
	602380	MVSI 10/810-S08	40	•	135°C	723	561	809	905	7.94	8.88	48.0	44.0	680	760	1.40	1.35	2.79	3.33
	602381	MVSI 10/1110-S08	50	•	135°C	1012	715	1132	1151	11.1	11.3	58.0	51.0	750	750	1.65	1.50	3.33	4.13
	602382	MVSI 10/1400-S08	50	•	170°C	1274	921	1424	1483	14.0	14.5	66.0	59.5	950	1000	1.80	1.70	3.05	3.65
	602406	MVSI 10/1610-S08	60	•	135°C	1464	962	1638	1549	16.1	15.2	83.0	71.0	1100	1300	2.20	2.20	4.21	4.05
	602407	MVSI 10/2100-S08	60	•	200°C	1927	1318	2154	2102	21.1	20.6	93.0	82.0	1500	1770	3.00	2.75	3.42	4.00
	602167	MVSI 10/2610-S02	70	•	135°C	2326	1720	2601	2747	25.5	26.9	130	116	1960	2100	4.10	3.75	5.35	5.60
	602230	MVSI 10/3000-S02	70	•	135°C	2690	1940	3007	3124	29.5	30.6	145	130	2200	2400	4.50	4.30	4.35	4.81
	602154	MVSI 10/3810-S02	80	•	135°C	3422	2380	3826	3831	37.5	37.6	188	170	2500	3000	5.10	5.00	5.91	6.00
	602204	MVSI 10/4700-S02	80	•	135°C	4206	2887	4701	4648	46.1	46.0	204	183	3200	3600	6.50	6.00	5.24	5.50
	602350	MVSI 10/5150-S02	80	•	135°C	4678	3230	5230	5200	51.3	51.0	225	200	3200	3600	6.50	6.00	5.24	5.50
	602138	MVSI 10/5200-S02	90	•	135°C	4658	3288	5208	5293	51.1	51.9	238	215	3800	4000	7.00	6.50	4.71	5.08
	602351	MVSI 10/5700-S02	90	•	135°C	5044	3478	5650	5600	55.4	54.9	240	220	3800	4000	7.00	6.50	4.71	5.08
	602091	MVSI 10/6500-S02	90	•	135°C	5838	4055	6527	6529	64.0	64.0	268	258	4300	5000	8.20	8.10	4.51	5.83
	602136	MVSI 10/6600-S02 <sup>Δ</sup>	97	•	135°C	6083	3979	6799	6405	66.7	62.8	285	257	5000	5900	10.0	9.80	5.61	5.82
	602352	MVSI 10/7000-S02	90	•	135°C	6272	4348	7013	7000	68.8	68.7	275	263	4300	5000	8.20	8.10	4.51	5.83
	602092	MVSI 10/8000-S90	95	□	135°C	7197	4967	8046	7996	78.9	78.4	315	277	7000	7500	12.6	11.3	4.59	5.58
	602093	MVSI 10/9000-S90	95	□	135°C	7752	5385	8666	8669	85.0	85.0	326	289	7500	8200	14.0	12.9	4.13	4.88
	602137	MVSI 10/10000-S02	97	□	135°C	8673	5664	9695	9117	95.1	89.4	381	340	7600	8000	13.5	12.4	4.72	4.92
	602349	MVSI 10/11200-S02	97	□	135°C	9983	6896	11160	11100	109	109	405	370	7600	8000	13.5	12.4	4.72	4.92
	602134	MVSI 10/12000-S90 <sup>Δ</sup>	100	□	135°C	10996	7543	12294	12141	119	119	500	445	9000	9500	16.3	15.0	5.21	5.73
	602227	MVSI 10/13000-S02	97	□	135°C	11510	8158	12867	13130	126	129	460	382	9600	10000	17.0	16.0	4.98	5.00
	602142	MVSI 10/15000-S02	105	□	135°C	12662	8700	14155	14004	139	137	643	605	10600	11270	19.0	18.0	5.88	5.78
	602143	MVSI 10/17500-S02	105	□	135°C	15500	10439	17327	16804	170	165	705	656	13000	13700	24.5	23.0	5.71	5.96
	602244	MVSI 10/19500-S02	105	□	135°C	17947	11430	20062	18400	197	181	711	661	14000	14800	25.5	24.0	5.49	-
602144	MVSI 10/22000-S90	110	□	135°C	20025	12533	22386	20208	220	198	926	896	19000	19000	33.0	25.5	4.67	5.88	
602273	MVSI 10/25000-S90	110	□	135°C	22364	14785	25000	23800	245	233	960	928	19000	19000	33.0	25.5	4.67	-	
602336	MVSI 10/30000-S02	120	-	-	27285	18760	30560	30200	300	296	1200	1050	24000	25800	40.0	38.0	4.89	5.39	

\* Working moment = 2 x static moment. <sup>Δ</sup> For special application. □ CSA certification on request, with feeding line included.  
I<sub>a</sub>/I<sub>n</sub> = ratio between start-up current and maximum current.

## 6 poles - 1000/1200 rpm

three-phase

Type	Fig.	Dimensional specifications (mm)														Cable entry thread
		A	B	C	D	E	Holes		F	H	I	L	M	N		
							øG	N°								
MVSI 10/40-S02	A	255	179	152	90	125	13	4	28	73	54	127	128	141	M20x1,5	
MVSI 10/100-S02	A	301	179	152	90	125	13	4	28	73	77	127	128	141	M20x1,5	
MVSI 10/200-S02	A	344	203	167	105	140	13	4	30	82.5	93	145	140	160	M25x1,5	
MVSI 10/310-S02	A	394	216	205	120	170	17	4	45	93.5	106	170	160	182	M25x1,5	
MVSI 10/550-S02	A	435	225	205	120	170	17	4	54	104.5	117.5	187	162	203	M25x1,5	
MVSI 10/650-S02	A	480 (50Hz) 435 (60Hz)	225	205	120	170	17	4	54	104.5	140 (50Hz) 117.5 (60Hz)	187	162	203	M25x1,5	
MVSI 10/810-S08	A	500 (50Hz) 448 (60Hz)	246	230	140	190	17	4	54	116	134 (50Hz) 108 (60Hz)	207	190	225	M25x1,5	
MVSI 10/1110-S08	A	574	246	230	140	190	17	4	54	116	171	207	190	225	M25x1,5	
MVSI 10/1400-S08	A	574	246	230	140	190	17	4	54	116	171	207	190	225	M25x1,5	
MVSI 10/1610-S08	A	617 (50Hz) 537 (60Hz)	272	275	155	225	22	4	70	130	177 (50Hz) 137 (60Hz)	238	210	253	M25x1,5	
MVSI 10/2100-S08	A	617	272	275	155	225	22	4	70	130	177	238	210	253	M25x1,5	
MVSI 10/2610-S02	A	666	321	310	155	255	23.5	4	77	157	178	277	215	295	M25x1,5	
MVSI 10/3000-S02	A	712	321	310	155	255	23.5	4	77	157	201	277	215	295	M25x1,5	
MVSI 10/3810-S02	A	734	347	340	180	280	26	4	80	165	202	303	240	320	M32x1,5	
MVSI 10/4700-S02	A	796	347	340	180	280	26	4	80	165	233	303	240	320	M32x1,5	
MVSI 10/5150-S02	A	826	347	340	180	280	26	4	80	165	248	303	240	320	M32x1,5	
MVSI 10/5200-S02	A	744	370	390	200	320	28	4	90	180	192	330	270	350	M32x1,5	
MVSI 10/5700-S02	A	840	370	390	200	320	28	4	90	180	240	330	270	350	M32x1,5	
MVSI 10/6500-S02	A	840	370	390	200	320	28	4	90	180	240	330	270	350	M32x1,5	
MVSI 10/6600-S02 <sup>Δ</sup>	C	750	437	460	125	380	39	6	35	215	174	387	320	414	M32x1,5	
MVSI 10/7000-S02	A	840	370	390	200	320	28	4	90	180	240	330	270	350	M32x1,5	
MVSI 10/8000-S90	A	870	395	392	200	320	28	4	100	192	255	355	270	375	M32x1,5	
MVSI 10/9000-S90	A	870	395	392	200	320	28	4	100	192	255	355	270	375	M32x1,5	
MVSI 10/10000-S02	C	862	437	460	125	380	39	6	35	215	230	387	320	414	M32x1,5	
MVSI 10/11200-S02	C	912	437	460	125	380	39	6	35	215	255	387	320	414	M32x1,5	
MVSI 10/12000-S90 <sup>Δ</sup>	C	990	454	530	140	440	45	6	38	230	240	423	370	448	M32x1,5	
MVSI 10/13000-S02	C	1002	437	460	125	380	39	6	35	215	300	387	320	414	M32x1,5	
MVSI 10/15000-S02	F	960	526	570	140	480	45	8	41	268	200	486	510	516	M32x1,5	
MVSI 10/17500-S02	F	1040	526	570	140	480	45	8	41	268	240	486	510	516	M32x1,5	
MVSI 10/19500-S02	F	1120	526	570	140	480	45	8	41	268	280	486	510	516	M32x1,5	
MVSI 10/22000-S90	F	1150	607	610	140	520	45	8	38	297	297.5	542	510	582	M32x1,5	
MVSI 10/25000-S90	F	1150	607	610	140	520	45	8	38	297	297.5	542	510	582	M32x1,5	
MVSI 10/30000-S02	Q	1205	648	700	140	600	45	8	45	320	310	600	510	660	M32x1,5	

<sup>Δ</sup> For special application. Several sizes are available with different mounting bolt patterns. Please contact sales office at Italtibras.

Fig. A

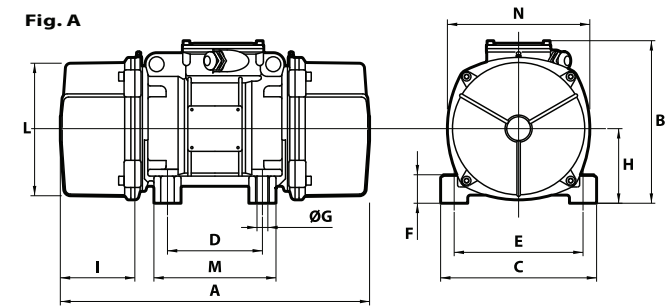


Fig. C

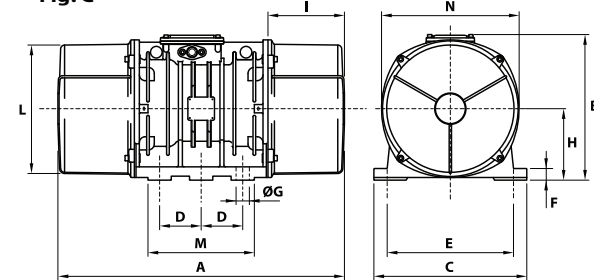


Fig. F

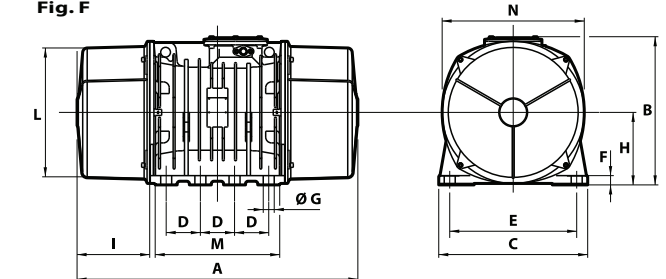


Fig. Q

