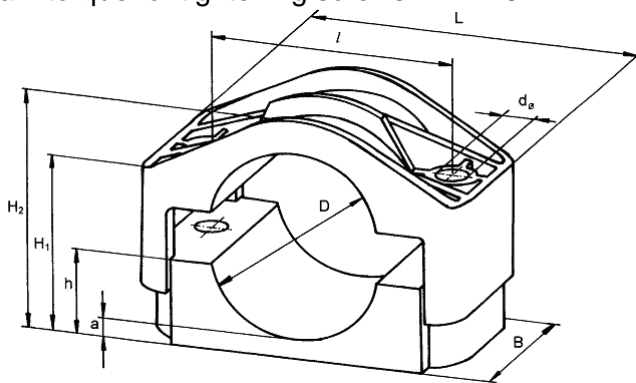


Cable Clamps

- Series: **K**
- Application: Fastening of single- and multi-conductor cables, unrestricted application indoors and outdoors
- Material: Polyamide, fibreglass-reinforced
- Outer diameter of cables: 19 mm to 90 mm
- Dynamic resistance to short circuits: 12,500 N
- Max. torque for tightening screws: 5 Nm



Dimensions in mm

Type	D _ø	D _ø [*]	D _ø ^{**}	L	B	l	d _ø	H ₁	H ₂	h	a
K 26/38	24 - 38	21 - 35	19 - 32	91	60	60	12	36 - 47	46 - 57	19	7
K 36/52	36 - 52	33 - 49	30 - 46	108	60	75	12	43 - 56	56 - 72	24	8
K 50/75	50 - 75	47 - 72	44 - 69	126	60	95	12	51 - 77	74 - 98	30	9
K 66/90	66 - 90	63 - 87	60 - 84	158	70	120	14	65 - 89	91 - 115	42	10

D_ø: range of outer cable diameter

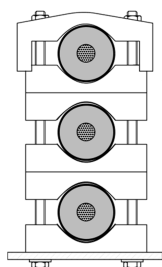
D_ø^{*}: ~ with one Elastic Inlay

D_ø^{**}: ~ with two Elastic Inlays

Application with Elastic Inlay:

- as padding of the cables (for diameters ≥ 60 mm) to avoid damage of the cables under strain and/or change of surrounding temperature
- as secure fixation of the cables and absorption of forces due to the weight of the cables at vertical sections in any height (wind turbine generators, masts, shafts)
- as extension of the clamping range for the fixation of cables with smaller outer diameters

Fastening example:

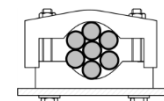
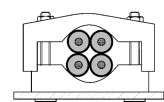
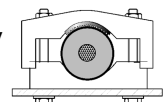


Additional bottom parts for the stacking of several cables (not K 66/90).

Example: Stack of three: 1 complete Cable Clamp plus 4 additional bottom parts

Stack of two: 1 complete Cable Clamp plus 2 additional bottom parts

Application with Elastic Inlay



Also suitable for bundled fastening of multiple cables

Technical changes reserved 08/14

id-Technik Cable Clamps are tested according to international standard IEC 61914 by accredited testing institutes.

Test results for Cable Clamp Series K

	Classification		IEC 61914 Paragraph
Material	Non-metallic	High-grade plastic	6.1.2
Operating temperature	-60°C +120°C	Minimum Maximum	6.2
Resistance to impact	Very heavy	At -60°C 5 kg of 400 mm height	6.3.5
Lateral load test in x-direction	10,000 N	At +120°C	6.4.1
Lateral load test in y-direction	19,000 N	At +120°C	6.4.1
Axial load test	600 N	At +120°C	6.4.2
Resistance to electrodynamic force	12,500 N	Suitable to withstand multiple short circuits	Tested at 109 kA 6.4.4
UV-resistance	High		6.5.1
Flame propagation	Passed V-0 S3	30 sec	10.1 UL 94 DIN 5510

Technical changes reserved 08/14