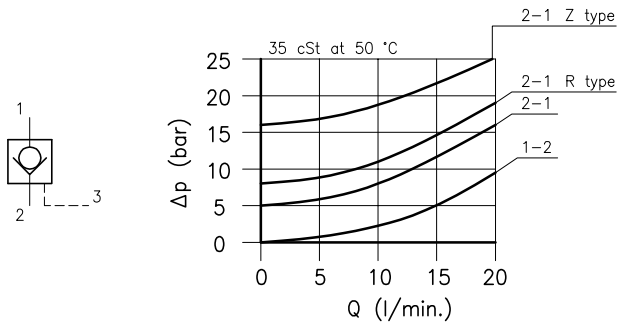
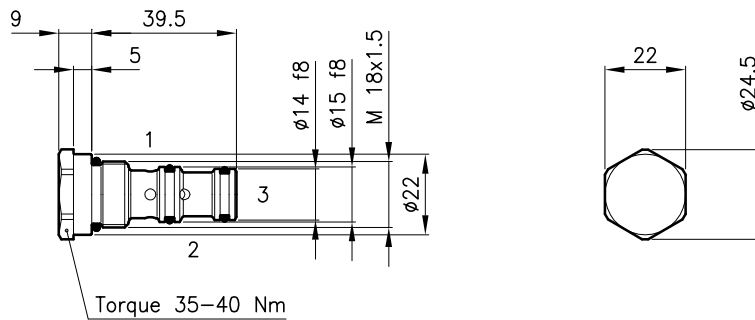


**Technical features**



Cavity (For dimensions see catalogue 17.000)	S 20/3
Nominal flow (l/min.)	15
Max. pressure (bar)	210
Pilot ratio	2.5:1
Pilot volume (cm <sup>3</sup> )	0.05
Fluid viscosity range (cSt)	2.8 - 380
Fluid temperature range (°C)	-20 +80
Mass (kg)	0.060
Hydraulic fluid; mineral oil HM and HV ISO 6074	
Recommended filtration; 19/15 ISO 4466 (25 μ absolutes)	
Standard seals in Polyurethane and Buna N	

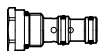
**Dimensions**



**Ordering informations**

**CAT 20/M-S**

**CAT 20** = Valve type



Standard spring

**M** = 5 bar

**R** = 8 bar

**Z** = 17 bar

**S** = Without O-Ring on the pilot piston  
(Omit in Standard version)

Codes:

CAT 20/M 22 011 120

CAT 20/M-S 22 011 121

CAT 20/R 22 011 168

CAT 20/R-S 22 011 169

CAT 20/Z 22 011 161

CAT 20/Z-S 22 011 162

External seals kit 90 620 101

CAT 20 valves can be assembled on standard bodies 20-C3 series; for dimensions see catalogue 16.010