

REVISIONS					
REV.	ECO	DATE	DESCRIPTION	AUTH.	DR.
3	7630	06-07-12	L WAS H	JWH	CSO
4	6714	04-17-13	REMOVED CSA LABEL FROM CORD, SHOW HOIET LOW LABEL	TW	CSO
5	8589	04-29-15	CHANGE CORD LENGTHS TO 96" AND MOVED 12.3 CORD TO A-7119-8S DRAWING	CDH	BLF

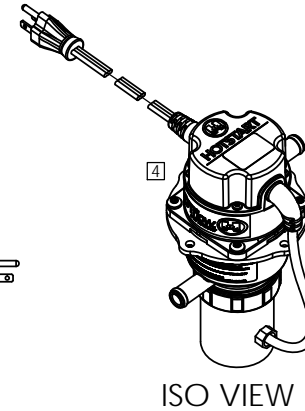
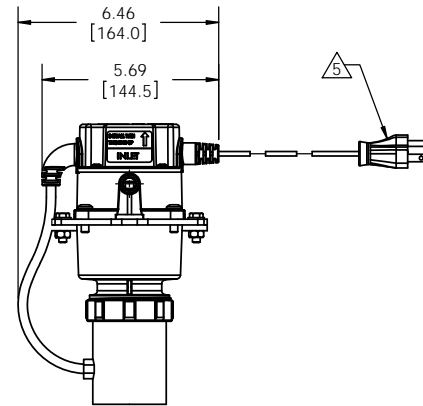
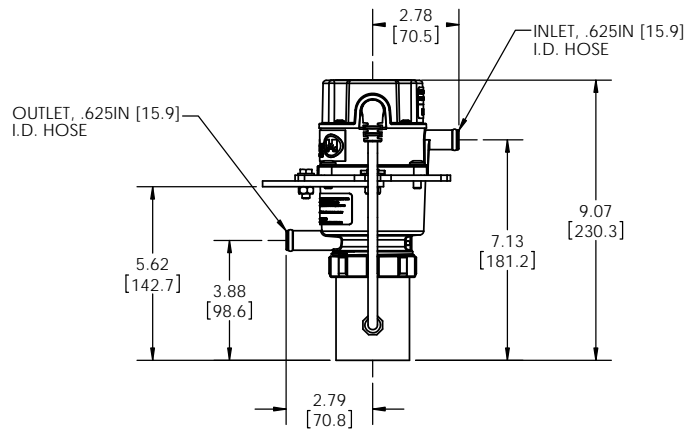
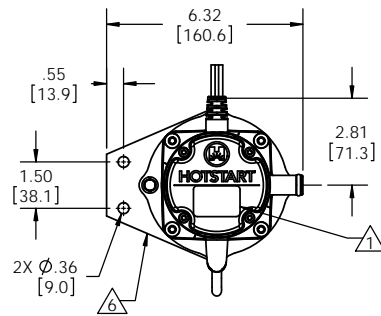
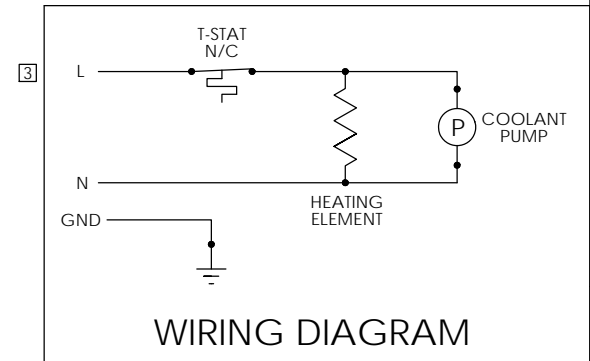
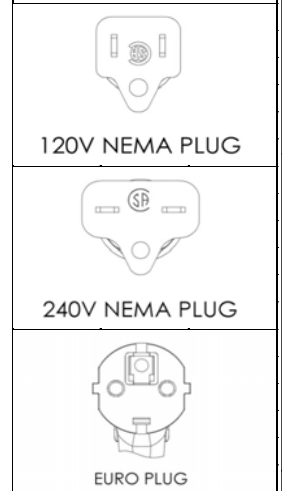


TABLE 1: PLUG GEOMETRY



THIS DRAWING SUPERSEDED BY DRAWING A-7119-8S FOR PART NUMBERS CTM25108-N00, CTM25110-N00 AND CTM25112-N00

PART NUMBER	DESCRIPTION
CTM10208-E00	CTM 1000W 240V 80-100F EURO
CTM10210-E00	CTM 1000W 240V 100-120F EURO
CTM15210-E00	CTM 1500W 240V 100-120F EURO
CTM25210-E00	CTM 2500W 240V 100-120F EURO
CTM10108-N00	CTM 1000W 120V 80-100F NEMA
CTM15108-N00	CTM 1500W 120V 80-100F NEMA
CTM10110-N00	CTM 1000W 120V 100-120F NEMA
CTM15110-N00	CTM 1500W 120V 100-120F NEMA
CTM10210-N00	CTM 1000W 240V 100-120F NEMA
CTM15210-N00	CTM 1500W 240V 100-120F NEMA
CTM25210-N00	CTM 2500W 240V 100-120F NEMA
CTM10112-N00	CTM 1000W 120V 120-140F NEMA
CTM15112-N00	CTM 1500W 120V 120-140F NEMA

NOTES:

1. LABELED WITH PART NUMBER, WATTS, VOLTS, DATE CODE & U.L MARK (OR CE).
2. DIMENSIONS ARE FOR REFERENCE ONLY.
3. MODELS WITH EUROCORD ARE CE COMPLIANT.
4. FIXED T-STAT WITH 20°F [11°C] DIFFERENTIAL AND 300°F [149°C] NON-RESETABLE HI-LIMIT.
5. EURO CORD OPTION INCLUDES 2M HARMONIZED CORD WITH SCHUKO TYPE PLUG. NEMA CORDS ARE 16-3 HPN, 96IN. LONG WITH NEMA TYPE PLUGS.
6. MOUNTING KIT SHIPPED LOOSE IN BAG.

HOTSTART, INC. SPOKANE, WA. PROPRIETARY INFORMATION

This drawing and the information shown on it are property of Hotstart, Inc. and are for the sole purpose of doing business with us. Any copying or transmittal to others of this information is strictly prohibited without prior written consent Hotstart.

TITLE: CTM 100-120F

DRAWN BY: ER DATE: 07-28-11 UNLESS OTHERWISE SPECIFIED DIMENSIONS ARE IN INCHES (mm)

APPROVED BY: SSO DATE: 08-03-11 TOLERANCES: DECIMALS: .015 ANGULAR: ± N/A

THIRD ANGLE PROJECTION: DO NOT SCALE DRAWING

DWG. NO: A-7119-2S

SHEET: 1 OF 1

SCALE: 1:4

REV: 05